

Single-phase DC Brushless Motor Driver IC

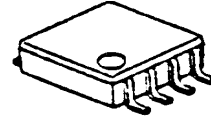
■ GENERAL DESCRIPTION

The NJU7367A is a single-phase motor driver IC. It features lock detect, FG output, thermal shutdown circuit and start up assist functions.

The motor rotational speed is controlled by PWM input pulse.

The NJU7367A is available in a small and thin 8-lead MSOP(TVSP) package.

■ PACKAGE OUTLINE



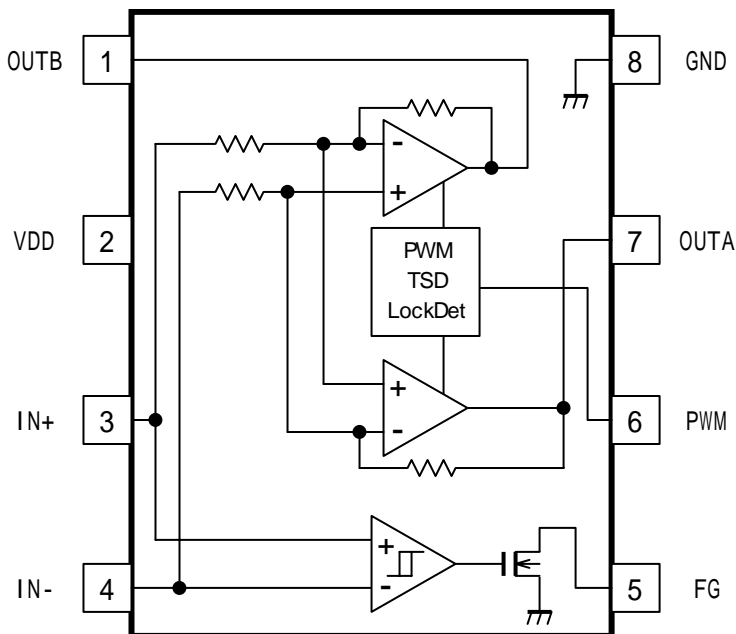
NJU7367ARB1
(MSOP8 (TVSP8))

■ FEATURES

- Supply Voltage $V_{DD}=2.0$ to $5.5V$
- Low Quiescent Current $I_{DD}=1.0mA$ typ.
- Maximum Output Voltage $V_{OH}=4.8V$ typ. @ $I_o=+350mA$, $V_{OL}=0.2V$ typ. @ $I_o=-350mA$
- Input Offset Voltage $V_{IO}=\pm 10mV$
- Direct PWM Input
- Lock Detect
- FG Output
- Start up Assist Function
- Thermal Shutdown Circuit
- CMOS Technology
- Package Outline MSOP8 (TVSP8)*

*MEET JEDEC MO-187-DA/THIN TYPE

■ BLOCK DIAGRAM



■ PIN FUNCTION

PIN No.	PIN NAME
1	OUTB
2	VDD
3	IN+
4	IN-
5	FG
6	PWM
7	OUTA
8	GND

NJU7367A

■ ABSOLUTE MAXIMUM RATINGS

(Ta=25°C)

PARAMETER	SYMBOL	RATINGS		UNIT
Supply Voltage	V _{DD}	+7.0		V
Input Voltage	V _{ID}	-0.3 to V _{DD}		V
PWM Input Voltage	V _{PWM}	-0.3 to V _{DD}		V
Output Current (Peak)	I _{OPEAK}	700		mA
FG Output Current	I _{FG}	10		mA
FG Output Voltage	V _{FG}	+7.0		V
Power Dissipation	P _D	Device itself	400	mW
		Mounted on 2Layer Board (*1)	510	
Operating Temperature	Topr	-40 to +85		°C
Junction Temperature	Tjmax	150		°C
Storage Temperature	Tstg	-50 to +150		°C

(*1): Mounted on glass epoxy board based on EIA/JEDEC. (76.2 × 114.3 × 1.6mm: 2-Layers FR-4)

■ RECOMMENDED OPERATING CONDITIONS

(Ta=25°C)

PARAMETER	SYMBOL	TEST CONDITION	MIN.	TYP.	MAX.	UNIT
Supply Voltage	V _{DD}	-	2.0	5.0	5.5	V

■ ELECTRICAL CHARACTERISTICS

(V_{DD}=5V, T_a=25°C)

PARAMETER	SYMBOL	TEST CONDITION	MIN.	TYP.	MAX.	UNIT
■ GENERAL						
Quiescent Current	I _{DD}	IN+=3.9V, IN-=0.4V	-	1.0	1.5	mA
Thermal Shutdown Operating Temperature	T _{TSD}	-	-	170	-	°C
Thermal Shutdown Hysteresis	T _{HYS}	-	-	20	-	°C
■ HALL AMP BLOCK						
Input Offset Voltage	V _{IO}	-	-10	-	10	mV
Common Mode Input Voltage Range	V _{ICM}	-	0.4	-	3.9	V
Close-loop Gain	A _V	-	-	44.5	-	dB
■ OUTPUT BLOCK						
Output Voltage	V _{OH}	I _O = +350mA	4.7	4.8	-	V
	V _{OL}	I _O =-350mA	-	0.2	0.3	V
FG L Output Voltage	V _{FG}	I _{FG} =5mA	-	-	0.2	V
FG H Leak Current	I _{FG-LEAK}	V _{FG} =5V	-	-	1.0	uA
■ PWM INPUT BLOCK						
PWM Input Frequency	f _{PWM}	-	2	-	50	kHz
Pullup resistance	R _{PWM}	-	-	200	-	kΩ
Input H Level Voltage1	V _{IHP}	-	2.4	-	5	V
Input L Level Voltage1	V _{ILP}	-	0	-	1.4	V
Input H Level Voltage2	V _{IHP}	V _{DD} =2V	1.1	-	2	V
Input L Level Voltage2	V _{ILP}	V _{DD} =2V	0	-	0.5	V
■ LOCK DETECT BLOCK						
Lock Detect ON Time	t _{ON}	-	-	0.5	-	s
Lock Detect OFF Time	t _{OFF}	-	-	5.0	-	s
Lock Detect Ratio	t _{RATIO}	-	-	1:10	-	-

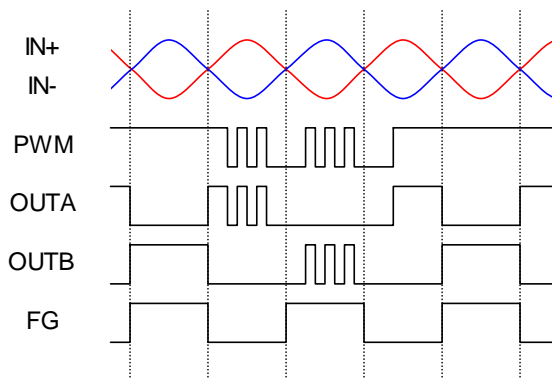
NJU7367A

TRUTH TABLE

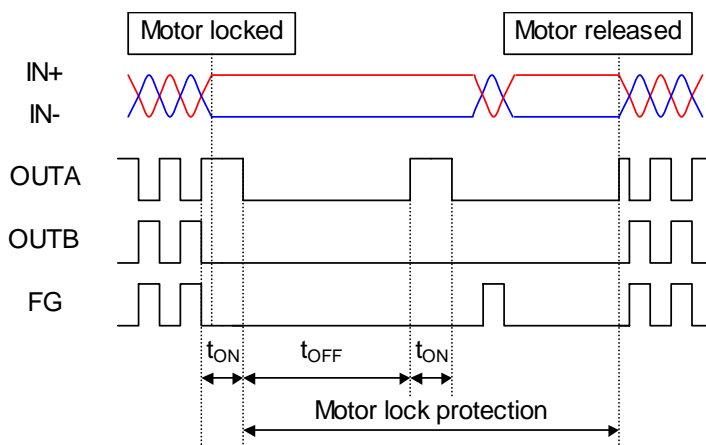
No.	IN+	IN -	PWM	TSD	LD	OUTA	OUTB	FG
1	H	L	H	OFF	OFF	H	L	L
2	L	H	H	OFF	OFF	L	H	Z
3	H	L	L	OFF	OFF	L	L	L
4	L	H	L	OFF	OFF	L	L	Z
5	H	L	H	ON	OFF	L	L	L
6	L	H	H	ON	OFF	L	L	Z
7	H	L	L	ON	OFF	L	L	L
8	L	H	L	ON	OFF	L	L	Z
9	H	L	H	OFF	ON	L	L	L
10	L	H	H	OFF	ON	L	L	Z
11	H	L	L	OFF	ON	L	L	L
12	L	H	L	OFF	ON	L	L	Z
13	H	L	H	ON	ON	L	L	L
14	L	H	H	ON	ON	L	L	Z
15	H	L	L	ON	ON	L	L	L
16	L	H	L	ON	ON	L	L	Z

Z : High Impedance

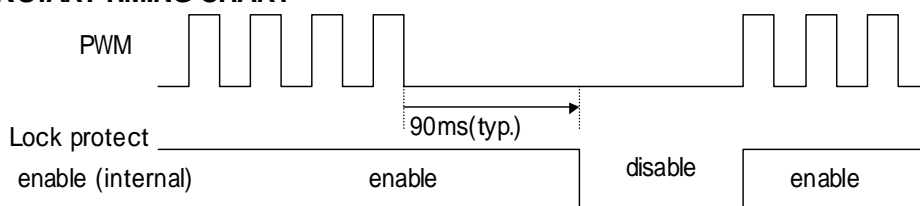
TIMING CHART at PWM



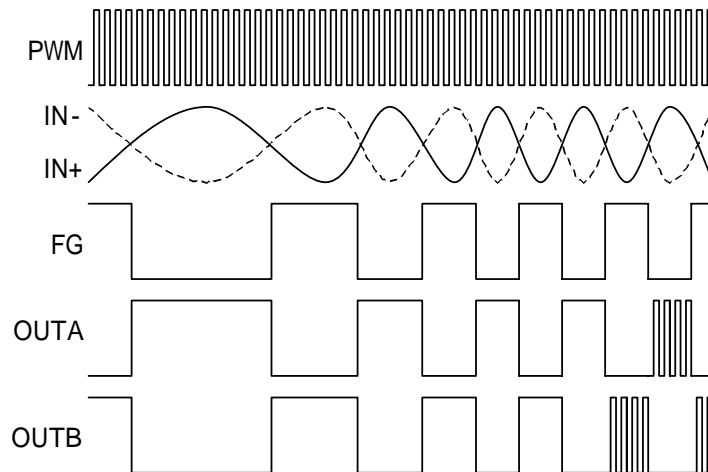
TIMING CHART at LOCK DETECT



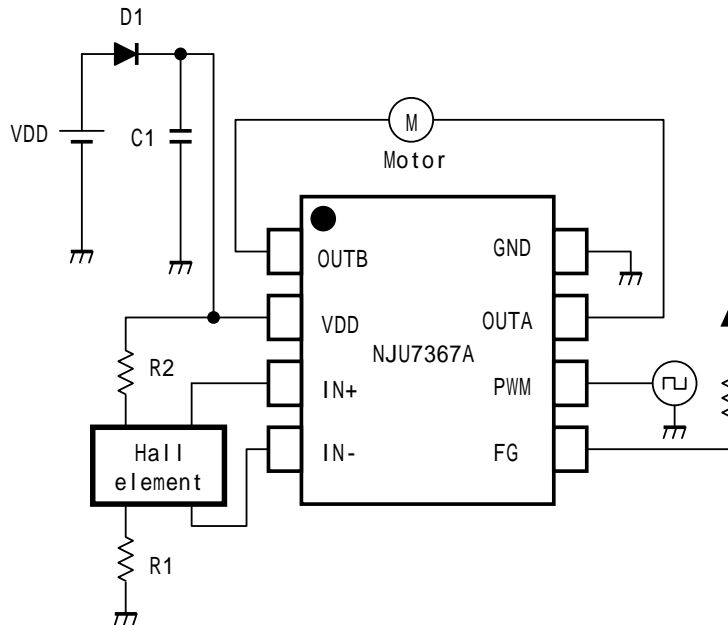
QUICK START TIMING CHART



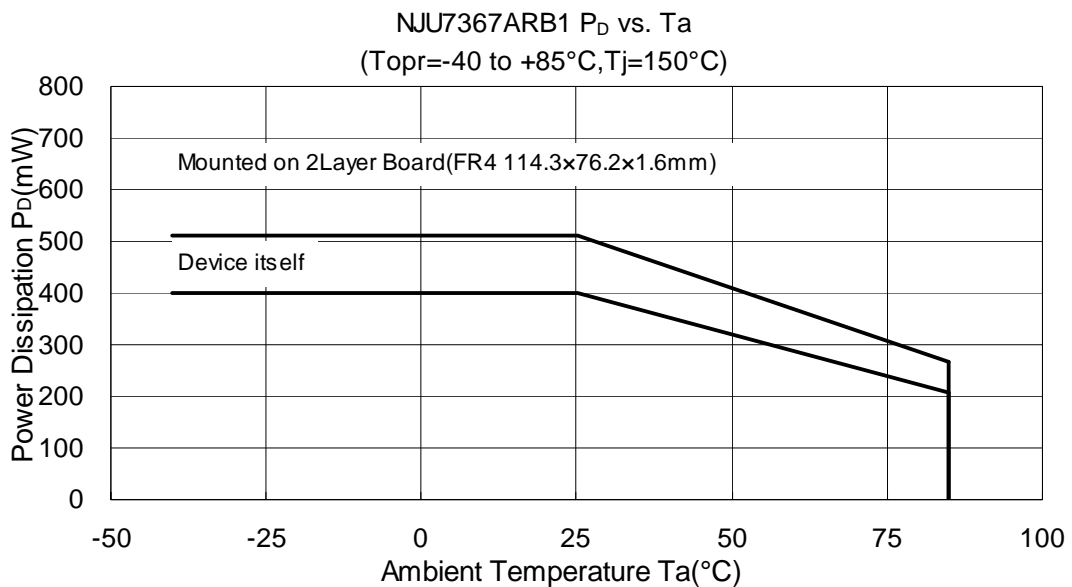
START UP ASSIST TIMING CHART



TYPICAL APPLICATION CIRCUIT

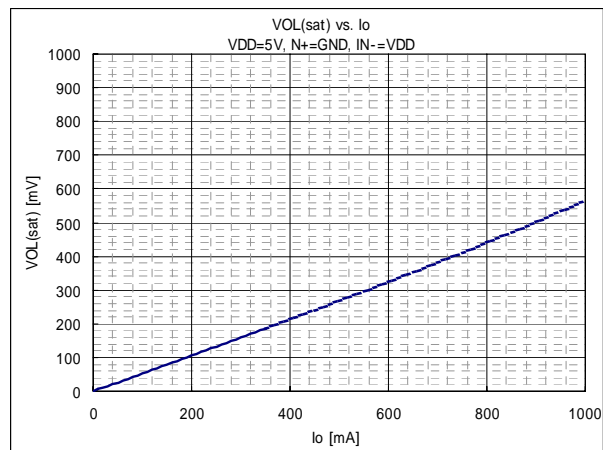
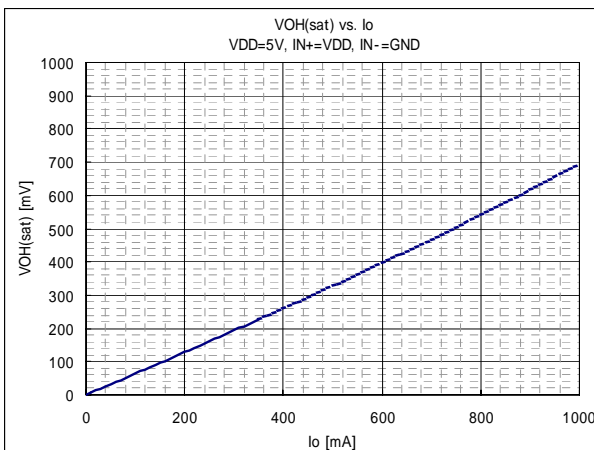
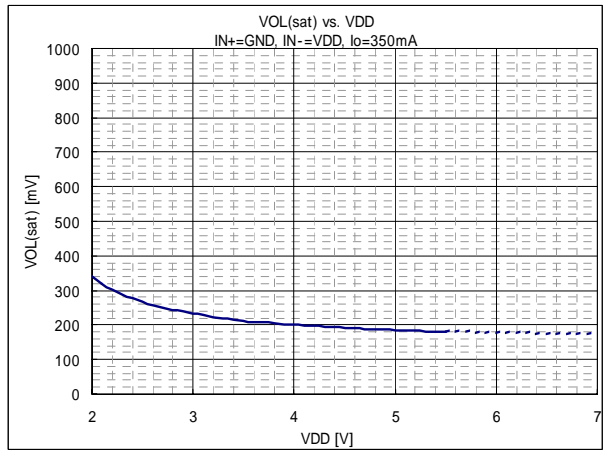
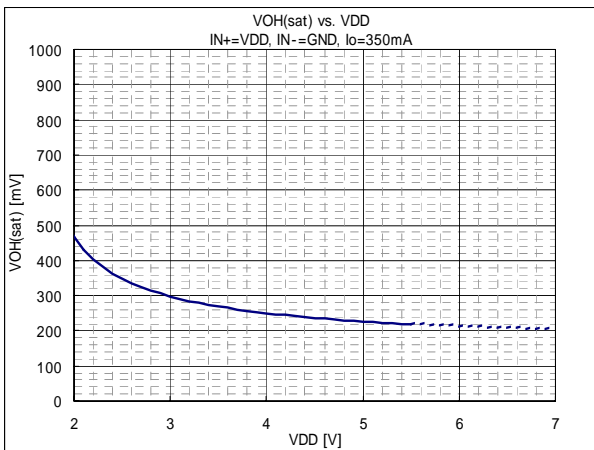
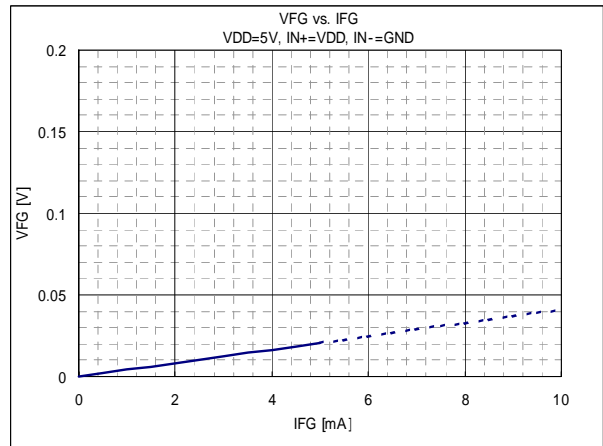
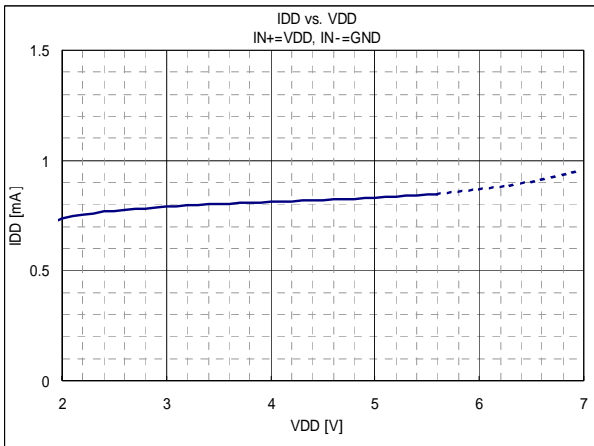


POWER DISSIPATION vs. AMBIENT TEMPERATURE

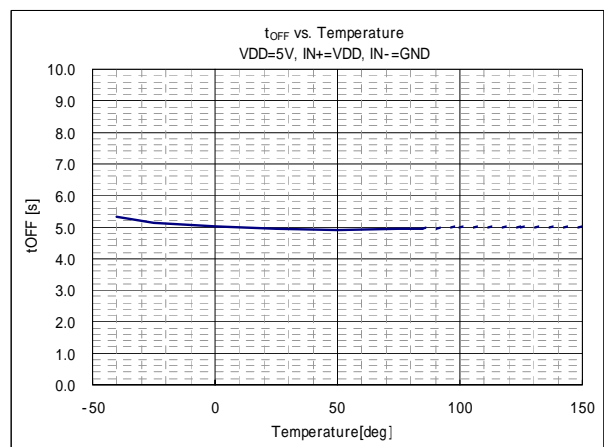
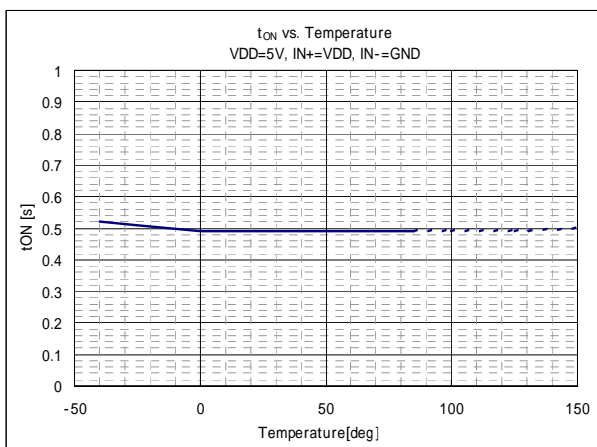
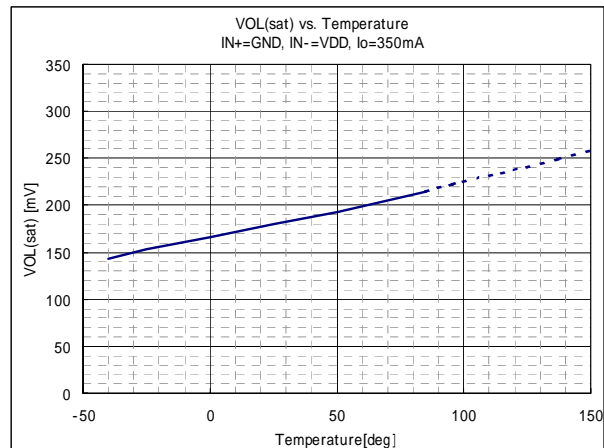
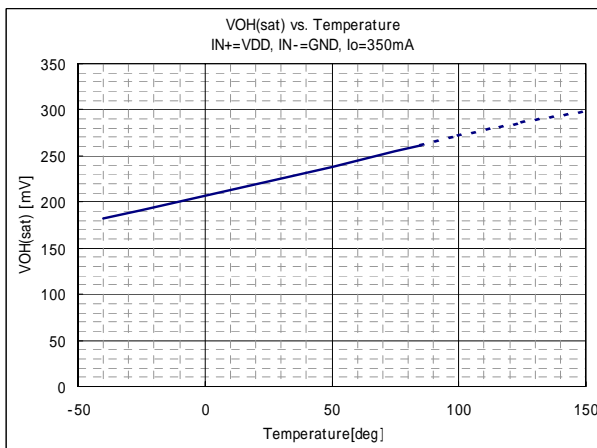
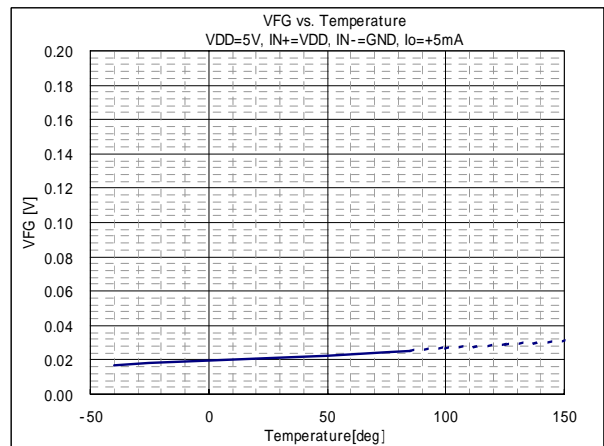
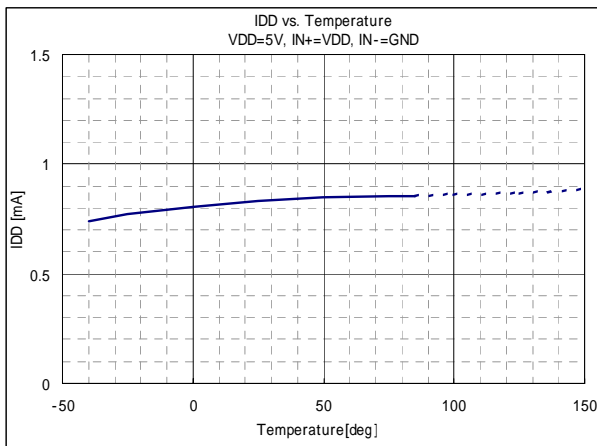


NJU7367A

TYPICAL CHARACTERISTICS



TYPICAL CHARACTERISTICS



[CAUTION]
The specifications on this databook are only given for information, without any guarantee as regards either mistakes or omissions. The application circuits in this databook are described only to show representative usages of the product and not intended for the guarantee or permission of any right including the industrial rights.