

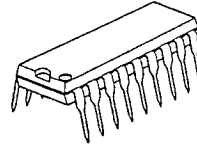
2-DIGIT SINGLE CHIP A/D CONVERTER

■ GENERAL DESCRIPTION

The NJU9252 is a low operating current, high performance 2-digit single chip A/D converter containing a sample/hold circuit, an oscillator, a 7-segment decoder, LED display driver and a control circuit.

The NJU9252 realizes to apply with few external components, therefore it is most suited for digital meters, digital thermometers and the others.

■ PACKAGE OUTLINE



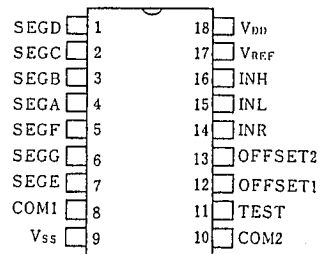
NJU9252D

5

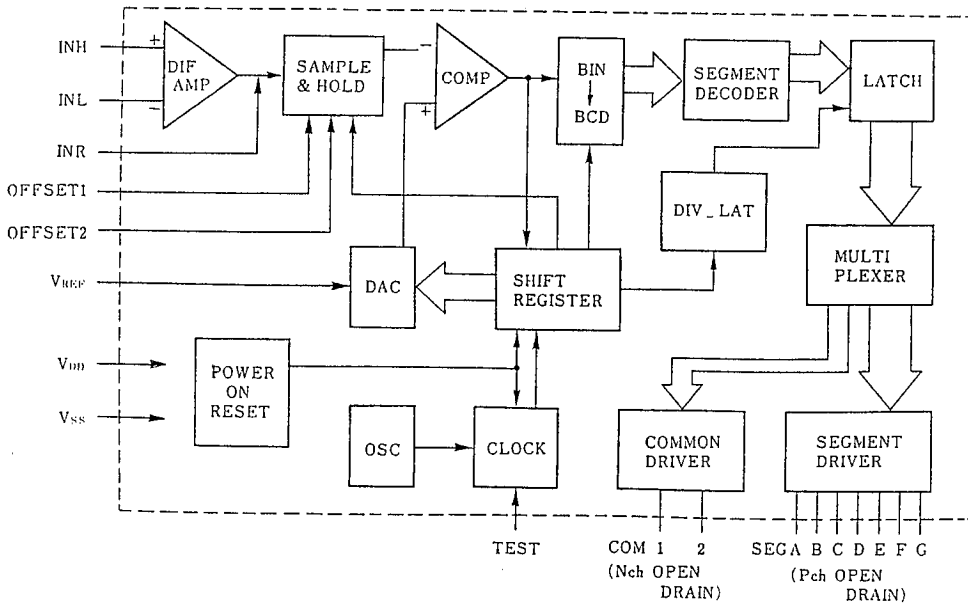
■ FEATURES

- 8-bit Resolution, Successive Approximation Method
- Low Input Current -- 1μA typ.
- Dynamic LED direct driving
- Sample/Hold Circuit On-Chip
- CR Oscillation Circuit On-Chip
- Power-on Initialization
- Offset Adjustment Terminal
- Low operating current
- Package Outline -- DIP 18
- C-MOS Technology

■ PIN CONFIGURATION



■ BLOCK DIAGRAM



■ TERMINAL DESCRIPTION

NO.	SYMBOL	F U N C T I O N
1	SEGD	LED segment Driver output D (Pch open-drain)
2	SEGC	LED segment Driver output C (Pch open-drain)
3	SEGB	LED segment Driver output B (Pch open-drain)
4	SEGA	LED segment Driver output A (Pch open-drain)
5	SEGF	LED segment Driver output F (Pch open-drain)
6	SEGG	LED segment Driver output G (Pch open-drain)
7	SEGE	LED segment Driver output E (Pch open-drain)
8	COM1	LED common Driver output 1 (Nch open-drain)
9	V _{SS}	GND terminal
10	COM2	LED common Driver output 2 (Nch open-drain)
11	TEST	Test terminal
12	OFFSET1	Offset Adjustment terminal 1
13	OFFSET2	Offset Adjustment terminal 2
14	INR	Input Gain setup Resistor Connecting Terminal
15	INL	Analog Differential input (Lo)
16	INH	Analog Differential input (Hi)
17	V _{REF}	Reference Voltage
18	V _{DD}	Supply Voltage (5V)

■ ABSOLUTE MAXIMUM RATINGS

(Ta=25°C)

PARAMETER	SYMBOL	RATINGS	UNIT
Supply Voltage	V _{DD}	-0.3~+7.0	V
Analog Input Voltage	V _{IN}	GND ~ V _{REF}	V
Reference Input Voltage	V _{REF}	GND ~ V _{DD}	V
Power Dissipation	P _D	500	mW
Operating Temperature Range	T _{OPF}	-20 ~ +75	°C
Storage Temperature Range	T _{Stg}	-40 ~ +125	°C

Note 1) The input current is limited to $\pm 100\mu\text{A}$ when the input voltage is more than supply voltage.

■ ELECTRICAL CHARACTERISTICS

 (Ta=25°C, V_{DD}=5V)

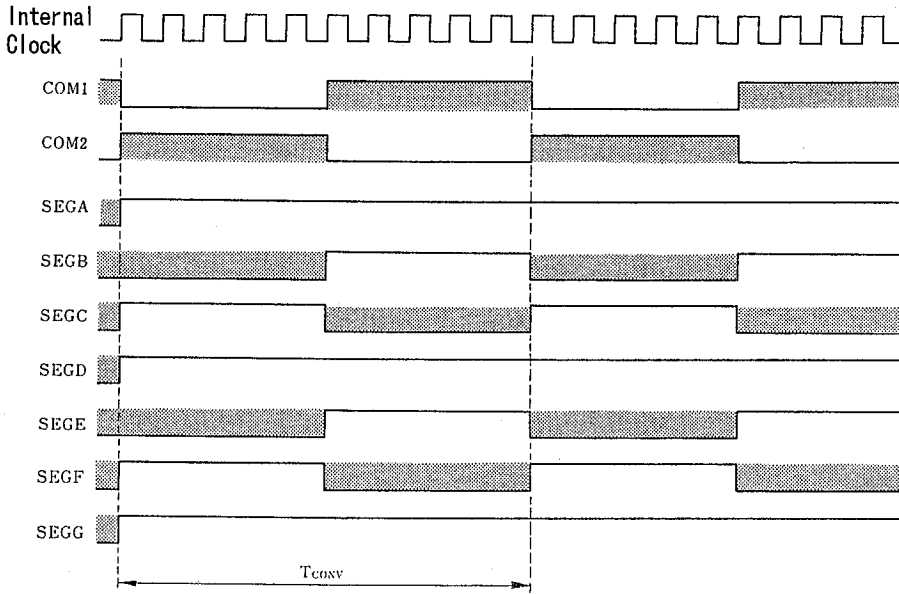
PARAMETER	SYMBOL	CONDITIONS	MIN	TYP	MAX	UNIT
Operating Voltage	V _{DD}		4.5	5.0	5.5	V
Ratiometric Reading	N99	V _{IN} =2.475V, V _{REF} =3.2V	98	98/99	99	Counts
Linearity	D _L	Full Scale=2.475V (2)		± 0.5	± 2	LSB
OFFSET	E _{OFF}	V _{REF} =3.2V		± 1	± 2	LSB
Noise(P-P Value)	V _{N1}	V _{IN} =0.0V, Full Scale=2.475V (3)		30		μV
Leakage Current	I _L	V _{IN} =0.0V		1	5	μA
Zero Reading Drift	Z _D	V _{IN} =0.0V, -20<Ta<75°C		0.2	1	$\mu\text{V}/^\circ\text{C}$
Scale Factor Temperature Co-efficient	Ftemp	V _{IN} =2.475V, -20<Ta<75°C (Ext.ref, 0 ppm/°C)		1	5	ppm/°C
Sampling-rate	T _S			1		time/s
Operating Current	I _{DD}	V _{IN} =0.0V		0.8	1.8	mA
Segment Sink Current	I _{S1}	Segment Voltage=3V SEGA~SEGF Terminals	10	14		mA
Segment Sink Current	I _{S2}	Segment Voltage=3V COM1, COM2 Terminals	70	98		

Note 2) Linearity indicates an error of the input-output linearity characteristics getting with the two read data of zero and full scale input values.

3) The peak value of noise must be kept within this value during 95% period in the measurement time.

5

■ TIMING CHART



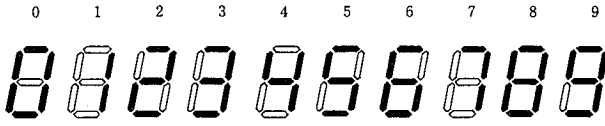
Note 4) SEGA~SEGG are an example to display "25".

The duty of COM1 and COM2 are 50% respectively.

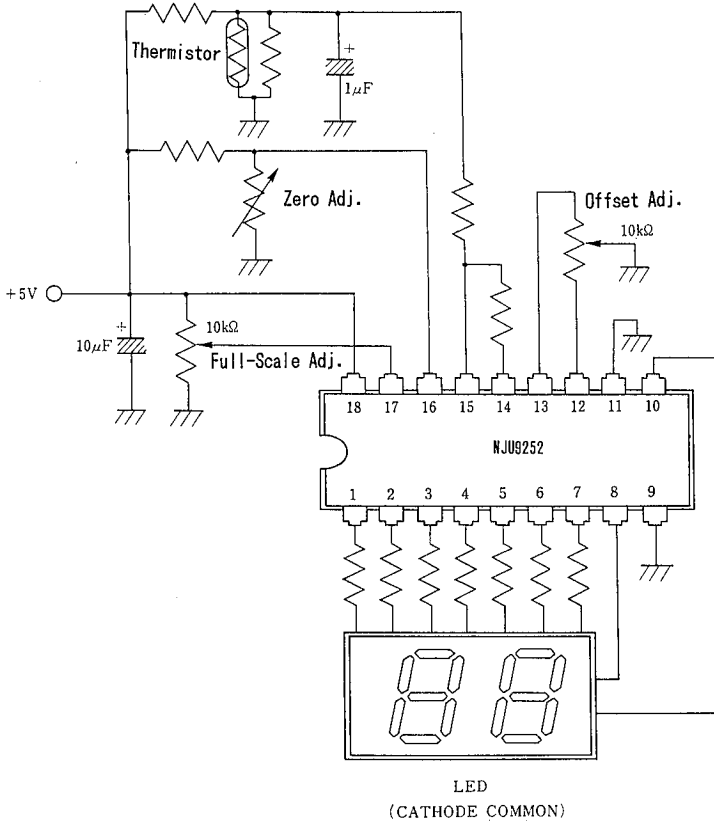
COM1 and COM2 are Nch-FET open-drain type, SEGA ~ SEGG are Pch-FET open-drain type.

▨ :: The state of Output terminal is high impedance.

■ DISPLAY PATTERN



■ APPLICATION CIRCUIT (Thermometer)



5

MEMO

[CAUTION]

The specifications on this databook are only given for information, without any guarantee as regards either mistakes or omissions. The application circuits in this databook are described only to show representative usages of the product and not intended for the guarantee or permission of any right including the industrial rights.