



Dolby Pro Logic Surround Decoder

NJW1102 / 1102A

DATA SHEET

DATA SHEET

GENERAL DESCRIPTION

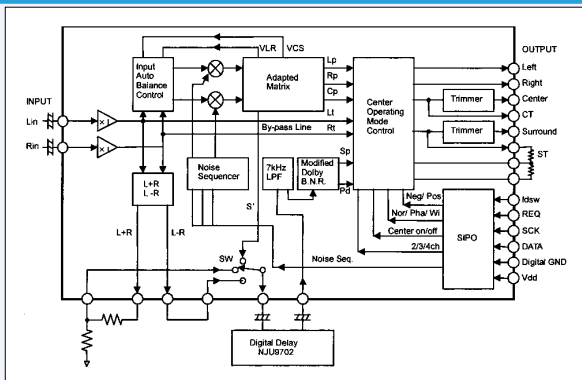
The **NJW1102/1102A** are Dolby Pro Logic Surround Decoder. The internal status and the balance of surround speakers are controlled by serial data.

The **NJW1102/1102A** perform complete Dolby Pro Logic Surround and other functions such as Hall, Matrix, etc. combined with the NJU9702 digital delay IC.

FEATURES

- Operating Voltage 9 to 13V
- Center and Surround Channel Level Trimmer
NJW1102 -15 to +15dB / 1dB Step
(Pro Logic Mode -15 to +3dB/1dB Step)
NJW1102A -31 to 0dB / 1dB Step
- Other Surround Mode
- Serial Data Control(3-wire:DATE,REQ,SCK)
- Internal Mode Control Switch
- Package Outline SDIP56, TQFP64

BLOCK DIAGRAM



Dolby Pro Logic Surround Decoder

NJM2177A

DATA SHEET

GENERAL DESCRIPTION

The **NJM2177A** is a Dolby Pro Logic Surround Decoder containing modified B-Type noise reduction circuit, input auto-balance controller, noise sequencer, adaptive matrix and more.

The **NJM2177A** performs complete Dolby Pro Logic Surround function combined with the NJU9702 digital delay IC.

FEATURES

- Operating Voltage 9 to 13V
- Dolby Operating Level 300mVrms
- Low Operating Current 34mA typ.
- Dolby Pro Logic Surround decoding
- Internal Mode Control Switch
- Noise Sequencer Controlled by Two Bits
- Bipolar Technology
- Package Outline SDIP56, TQFP64

BLOCK DIAGRAM

