

Aluminum Electrolytic Capacitors

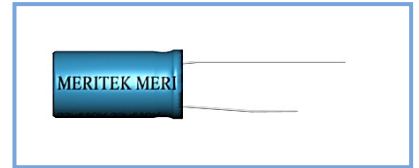


NPC Series
(Non Polarity, For Twinkling Light)

MERITEK

FEATURES

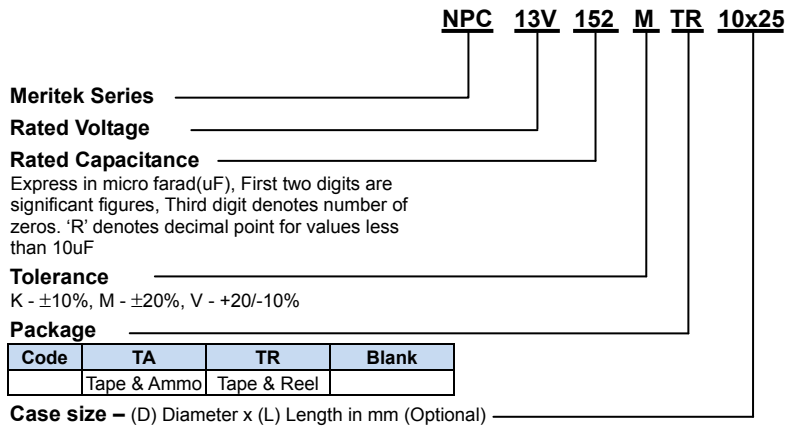
- Suitable for the direction light of automobile and motorcycle



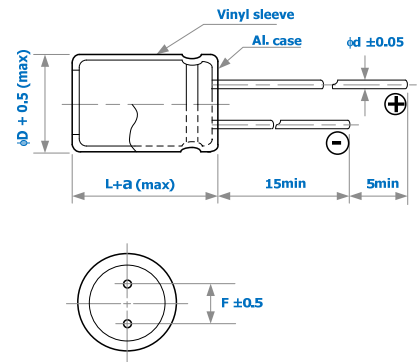
SPECIFICATIONS

Item	Characteristic
Operating Temp Range	- 40 ~ +85°C
Rated Working Voltage	13VDC
Capacitance Tolerance (120Hz 20°C)	± 10%(K) ± 20%(M) +20/-10%(V)
Leakage Current (20°C)	$I \leq 1000(\mu A)$ * Under 100 Ω resistor series and rated voltage applied whichever after 3 minutes I : Leakage Current (μA) C : Rated Capacitance(μF) V : Working Voltage (V)
Dissipation Factor (tan δ) (120Hz 20°C)	tan δ ≤ 0.50

PART NUMBER SYSTEM



DIMENSIONS (mm)



φD	10	12.5
F	5.0	5.0
d	0.6	0.6
a	1.5	1.5

CASE SIZE

Case size: DxL (mm)

Cap. (uF)	V	13
	Item	DxL
1500		10x25
1700		12.5x20
2200		12.5x25