

# 10/100 BASE PULSE TRANSFORMER FOR PCMCIA

- Half port and single port designs for maximum layout flexibility.
- Low profile packages from 0.094 Inch(2.39mm) to 0.078 Inch(1.98mm) for PC card and card bus applications .
- Comply with ROHS & Halogen Free requirements.
- Operating temperature range: 0 to +70 .
- Storage temperature range: -25 to +85 .



## Electrical Specifications @ 25

Part Number	Turn ratio (±3%)		Insertion loss (dB Max)	Return loss (dB Min)				Cross talk (dB Min)
	RX	TX		0.3-100 MHz	0.5-30MHz	40MHz	50MHz	
NS0013 LF	1CT:1CT	1CT:1CT	-1.1	-18	-15.5	-13.5	-10	-38
NS0013A LF	1CT:1CT	1CT:1CT	-1.1	-18	-15.5	-13.5	-10	-38
NS0013B LF	1CT:1CT	1CT:1CT	-1.1	-18	-15.5	-13.5	-10	-38
NS0013BX LF	1CT:1CT	1CT:1CT	-1.1	-18	-15.5	-13.5	-10	-38
NS0013C LF	1CT:1CT	1CT:1CT	-1.1	-18	-15.5	-13.5	-10	-38
NS0013X LF	1CT:1CT	1CT:1CT	-1.1	-18	-15.5	-13.5	-10	-38
NS0068 LF	1CT:1CT	1CT:1CT	-1.0	-	-	-	-	-
NS0068A LF	1CT:1CT	1CT:1CT	-1.0	-	-	-	-	-
NS0068B LF	1CT:1CT	1CT:1CT	-1.0	-	-	-	-	-
NS0068C LF	1CT:1CT	1CT:1CT	-1.0	-	-	-	-	-
NS0068D LF	1CT:1CT	1CT:1CT	-1.0	-	-	-	-	-

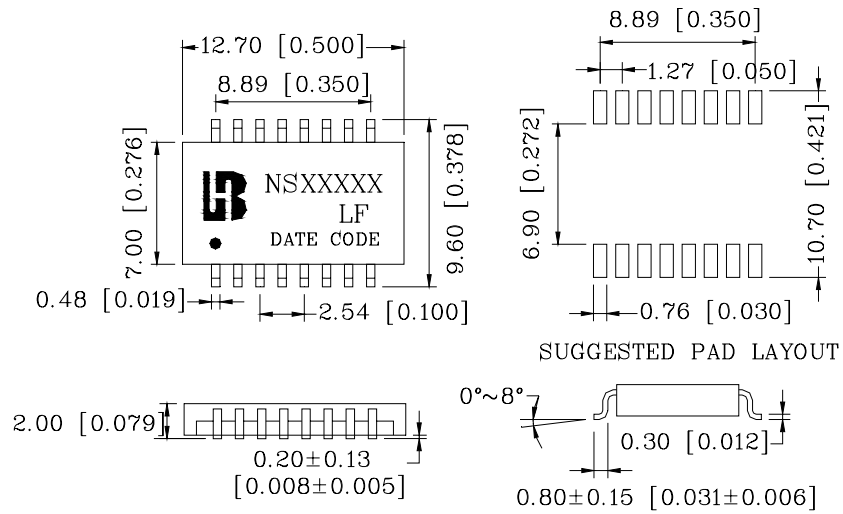
## Continue

Part Number	OCL(Uh Min) @ 100KHz/0.1V with 8.0Ma DC	HI-POT (Vrms)	Cw/w (pF Max)	Mech	DCMR(Db Min)	
					0.3-60 MHz	0.3-100 MHz
NS0013 LF	350	1500	15	NS-A	-33	-26
NS0013A LF	440	1500	15	NS-A	-33	-26
NS0013B LF	350	1500	15	NS-A	-33	-26
NS0013BX LF	350	1500	50	NS-A	-33	-26
NS0013C LF	350	1500	15	NS-A	-33	-26
NS0013X LF	350	1500	30	NS-A	-33	-26
NS0068 LF	350	1500	25	NS-B	-	-
NS0068B LF	350	1500	25	NS-B	-	-
NS0068C LF	350	1500	25	NS-B	-	-
NS0068D LF	350	1500	25	NS-B	-	-

For customized parts or more detailed information, please log on [www.bothhandusa.com](http://www.bothhandusa.com) or write to [sales@bothhandusa.com](mailto:sales@bothhandusa.com)

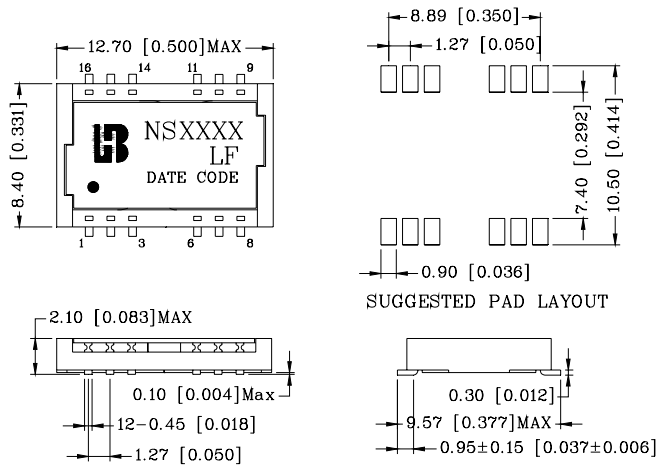
**Mechanicals**

**NS-A**



Units: mm[Inches] Tolerances: xx.x0±0.25[0.010]  
0.xx±0.05[0.002]

**NS-B**

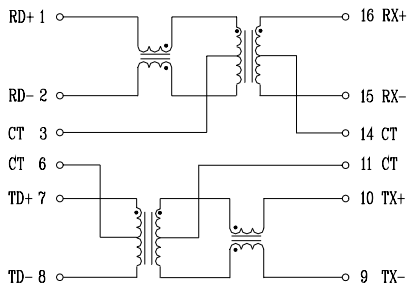


Units: mm[Inches] Tolerances: xx.x0±0.25[0.010]  
0.xx±0.05[0.002]

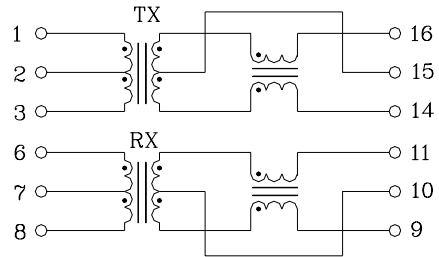
Specification	Packing Manner	Q'ty per Tube/Reel	Q'ty/ Inner box	Q'ty/ Carton
NS-A	REEL	1500	1500	15000
NS-B	REEL	1500	1500	15000

Schematics

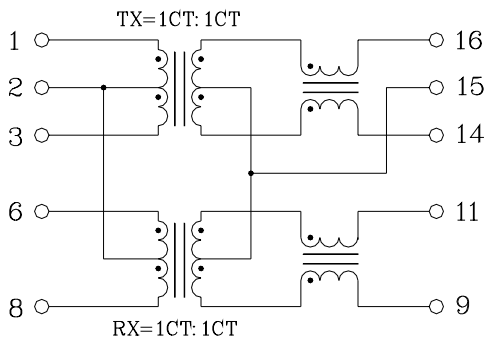
NS0013 LF /NS0013A LF /NS0068D LF



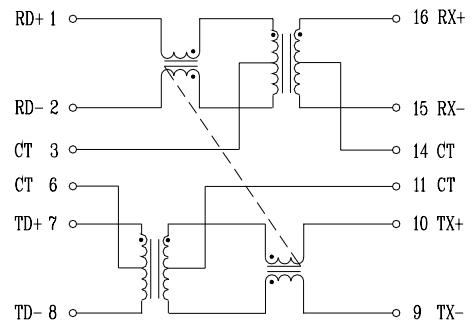
NS0013B LF /NS0068C LF



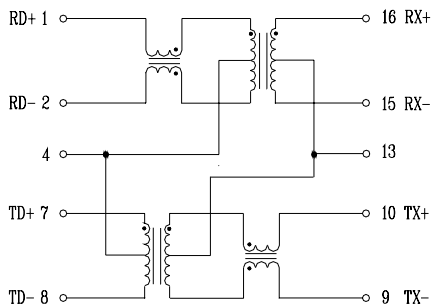
NS0013BX LF



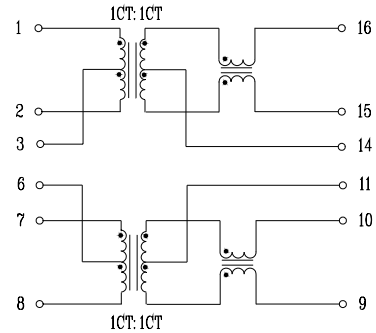
NS0013C LF



NS0013X LF



NS0068 LF



NS0068B LF

