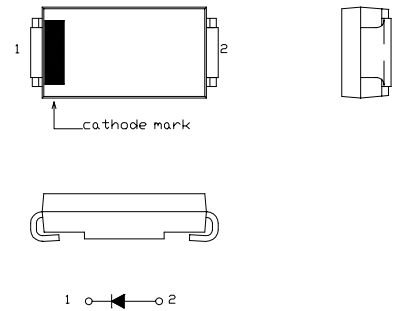


SBD Type : NSH03A09

FEATURES

- * **FLAT-PAK** Surface Mounting Device
- * Low Forward Voltage Drop
- * Low Power Loss, High Efficiency
- * High Surge Capability
- * Packaged in 16mm Tape and Reel
- * Not Rolling During Assembly

OUTLINE DRAWING



Maximum Ratings

Approx Net Weight: 0.16g

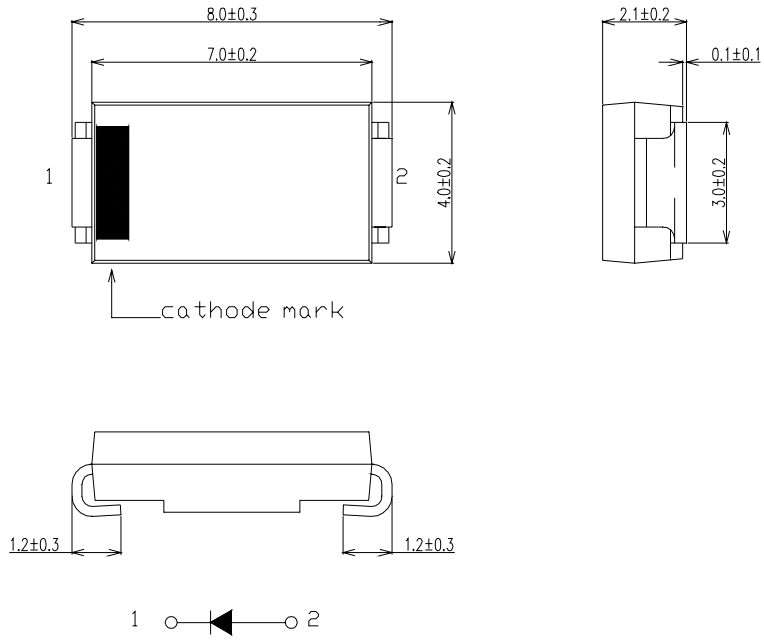
Rating	Symbol	NSH03A09			Unit
Repetitive Peak Reverse Voltage	V_{RRM}	90			V
Average Rectified Output Current	I_o	1.57	$T_a=25^{\circ}\text{C}$ *1	50Hz Half Sine Wave Resistive Load	A
		3.0	$T_l=113^{\circ}\text{C}$		
RMS Forward Current	$I_{F(RMS)}$	4.71			A
Surge Forward Current	I_{FSM}	60	50Hz Half Sine Wave, 1cycle Non-repetitive		A
Operating Junction Temperature Range	T_{jw}	-40 to +150			$^{\circ}\text{C}$
Storage Temperature Range	T_{stg}	-40 to +150			$^{\circ}\text{C}$

Electrical • Thermal Characteristics

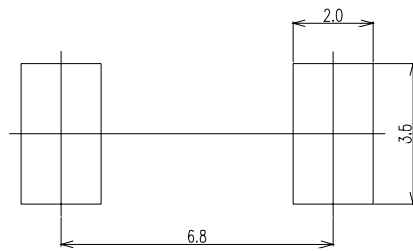
Characteristics		Symbol	Conditions	Min.	Typ.	Max.	Unit
Peak Reverse Current		I_{RM}	$T_j= 25^{\circ}\text{C}, V_{RM}= V_{RRM}$	-	-	1	mA
Peak Forward Voltage		V_{FM}	$T_j= 25^{\circ}\text{C}, I_{FM}= 3.0\text{A}$	-	-	0.85	V
Thermal Resistance	Junction to Ambient	$R_{th(j-a)}$	Alumina Substrate Mounted *1	-	-	89	$^{\circ}\text{C}/\text{W}$
	Junction to Lead	$R_{th(j-l)}$	-	-	-	13	

*1 Alumina Substrate Mounted (Soldering Lands=2x3.5mm, Both Sides)
(T_l : Lead Temperature)

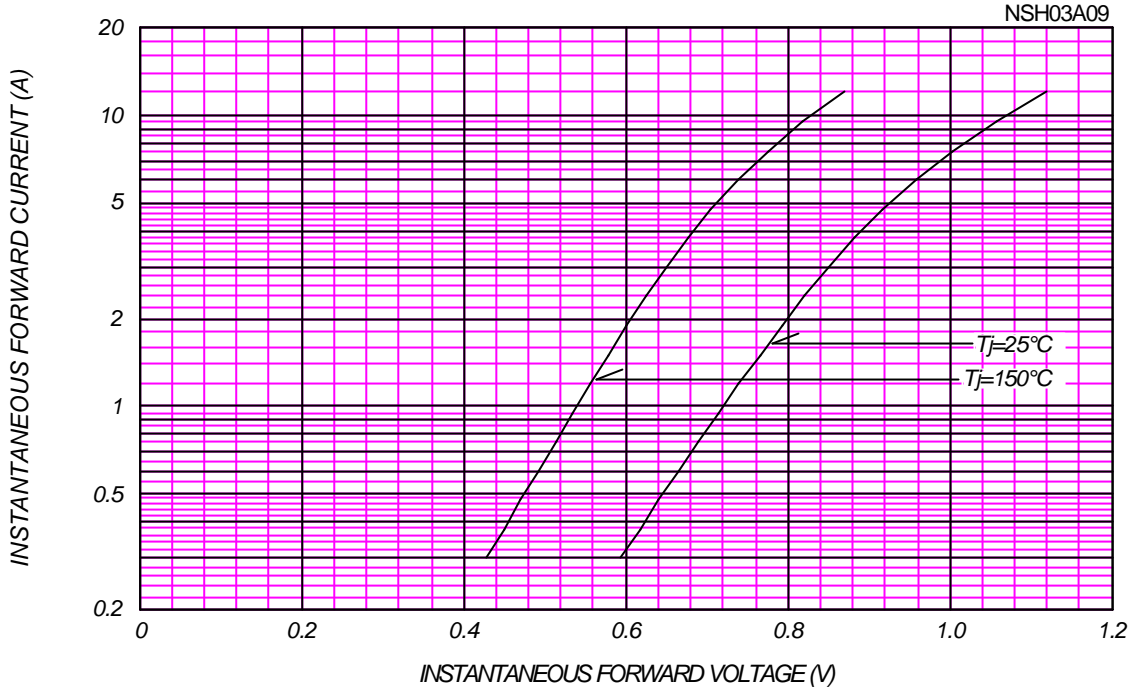
NSH03A09 OUTLINE DRAWING (Dimensions in mm)



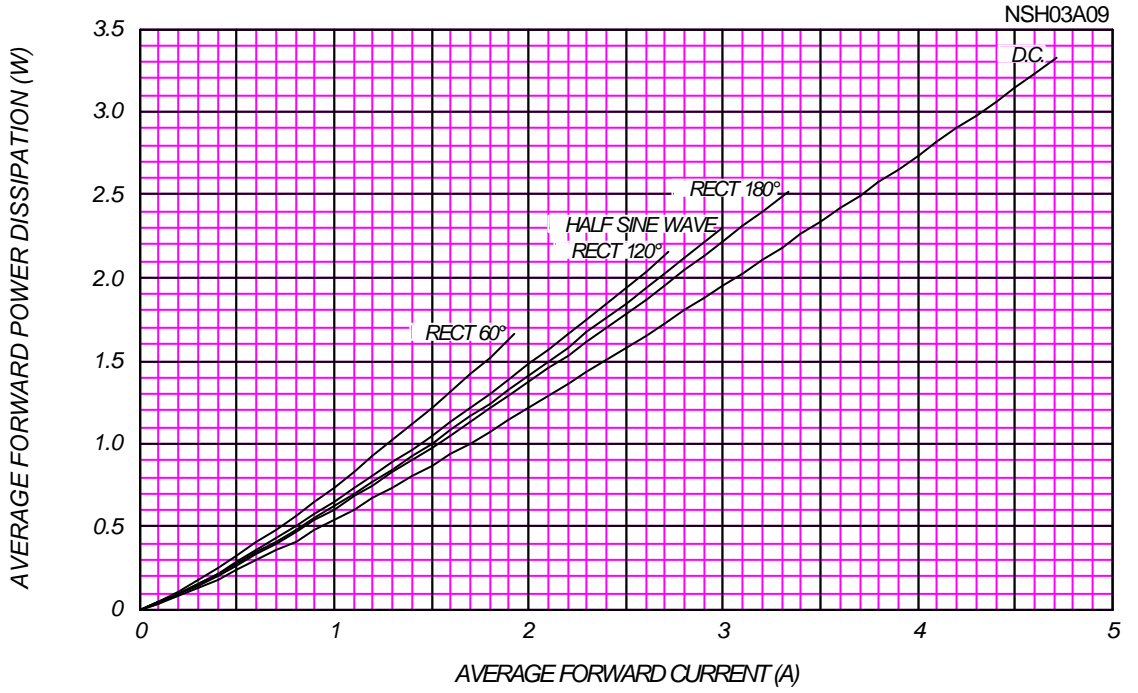
SOLDERING PAD



FORWARD CURRENT VS. VOLTAGE



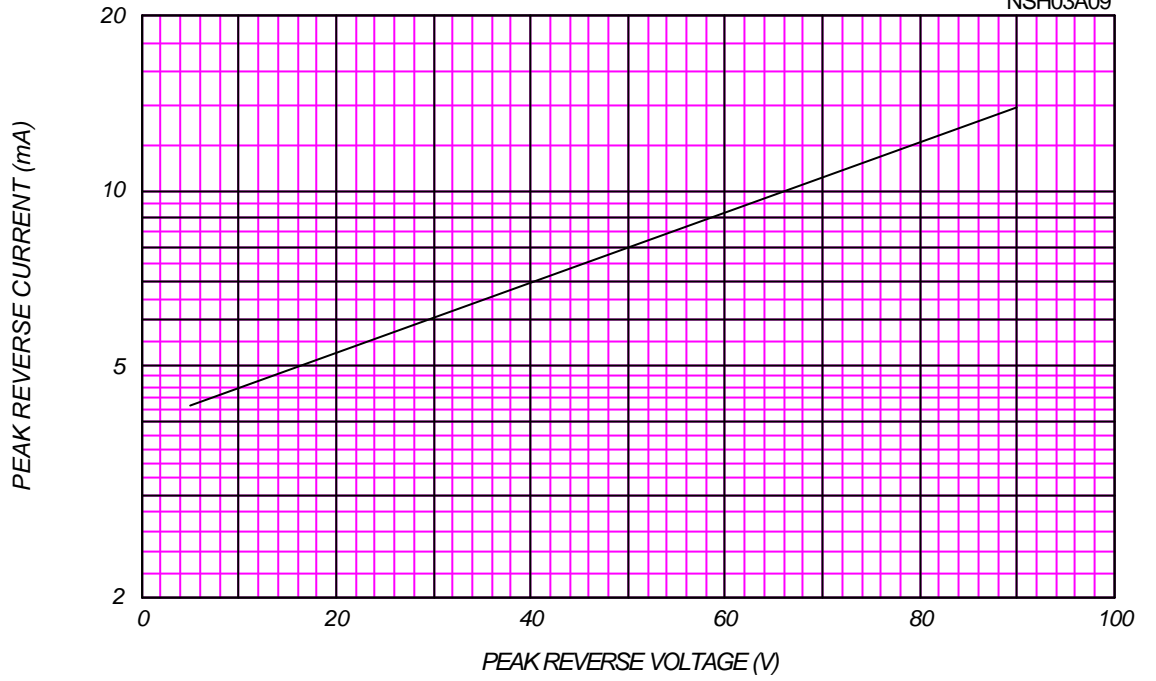
AVERAGE FORWARD POWER DISSIPATION



PEAK REVERSE CURRENT VS. PEAK REVERSE VOLTAGE

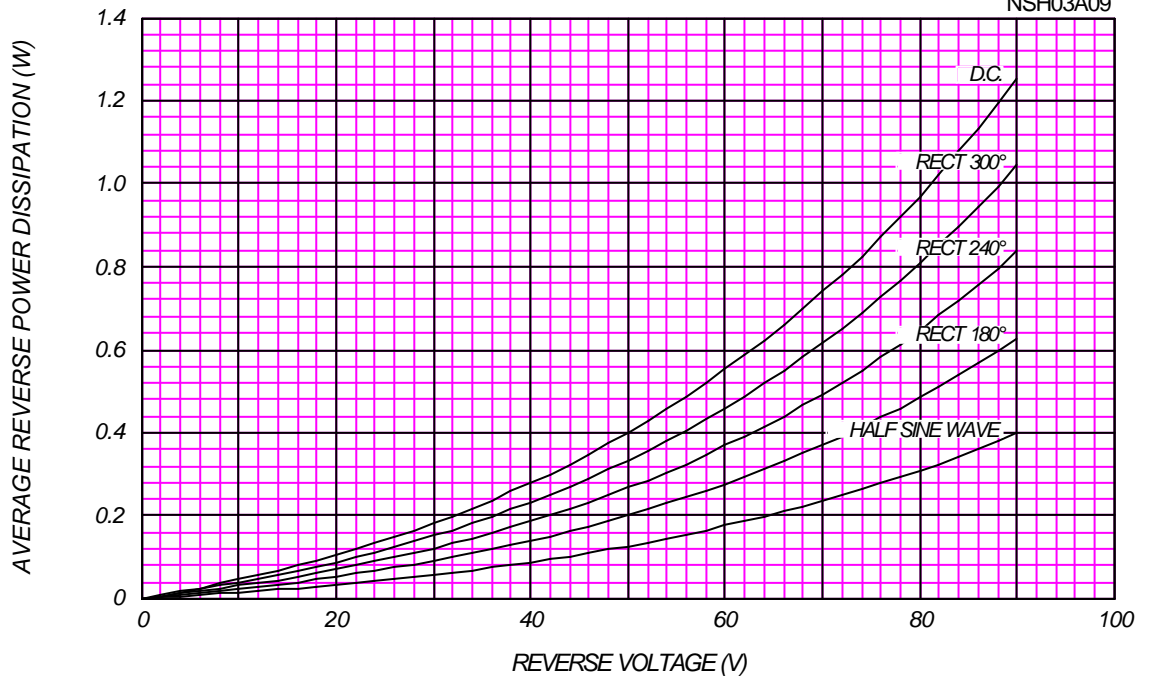
T_j = 150 °C

NSH03A09



AVERAGE REVERSE POWER DISSIPATION

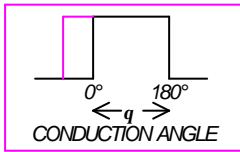
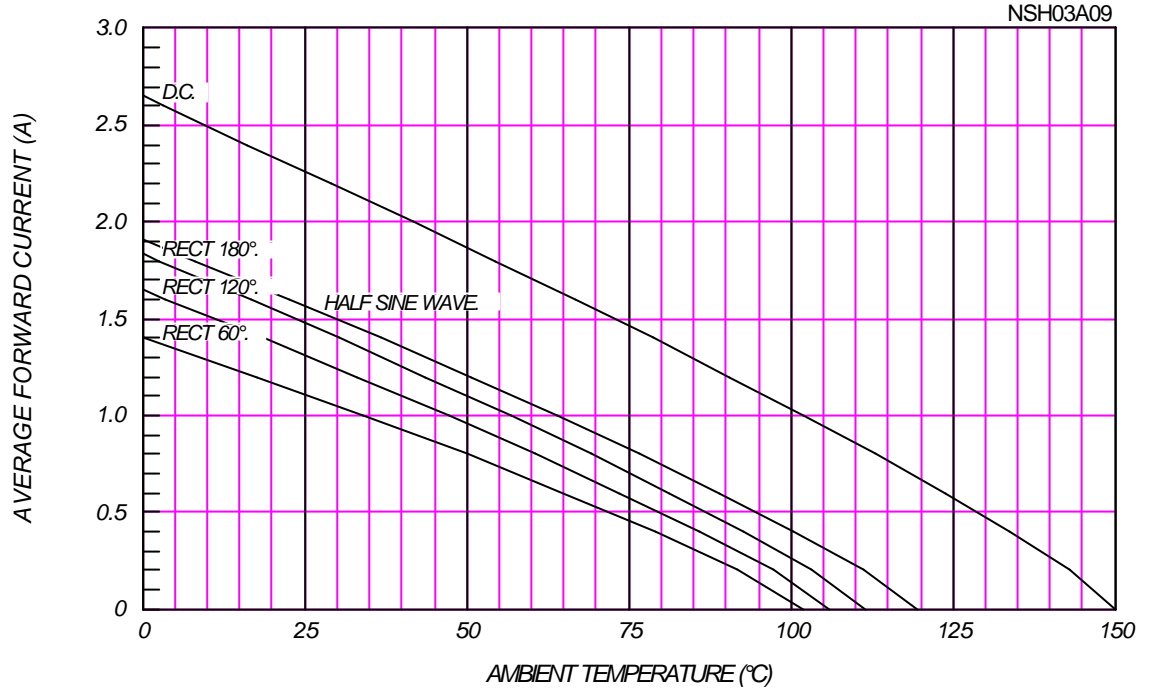
NSH03A09





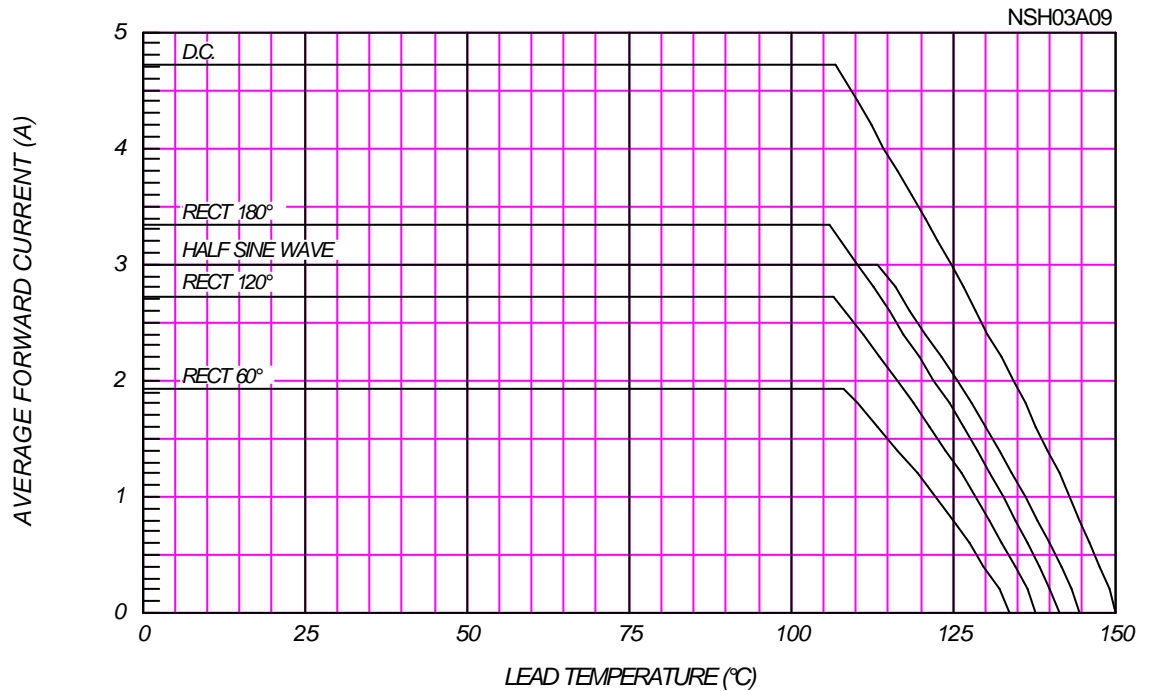
AVERAGE FORWARD CURRENT VS. AMBIENT TEMPERATURE

Alumina Substrate Mounted (Soldering Land=2x3.5mm), $V_{RM}=90V$



AVERAGE FORWARD CURRENT VS. LEAD TEMPERATURE

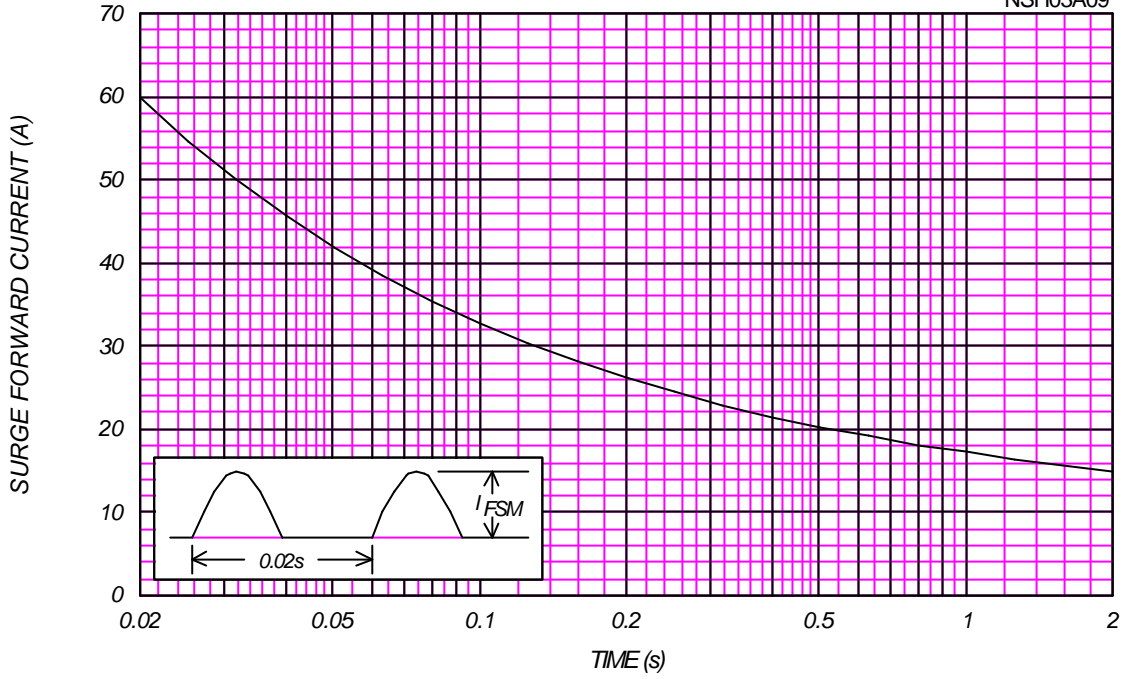
$V_{RM}=90V$



SURGE CURRENT RATINGS

f=50Hz,Half Sine Wave,Non-Repetitive,No Load

NSH03A09



JUNCTION CAPACITANCE VS. REVERSE VOLTAGE

T_j=25° C,V_m=20mV_{RMS},f=100kHz,Typical Value

NSH03A09

