

NX3225GA

For OA / AV

■ Features

A small surface-mount type crystal unit, especially suited for small-sizing requirements.

- Ultra compact and thin. (3.2 x 2.5 x 0.75 mm typ.)
- Excellent environmental characteristics, including heat and shock resistance.
- Excellent electrical performance for OA (office automation) and AV (audiovisual) applications.
- Meets the requirements for re-flow profiling using lead-free solder.
- Outstanding cost performance.



RoHS Compliant
Directive 2002/95/EC

■ Specifications

Item	Model	NX3225GA
Frequency Range		9.84375 to 50 MHz
Overtone Order		Fundamental
Frequency Tolerance (25 ±3 °C)		±20 × 10 ⁻⁶
Temperature Characteristics (with reference to +25 °C)		±30 × 10 ⁻⁶
Operating Temperature Range		-10 to +70 °C
Storage Temperature Range		-40 to +85 °C
Equivalent Series Resistance		Refer to *1
Drive Level		10 μW (Max. 200 μW)
Load Capacitance		8 pF

The above specifications are standard for this NDK product.
Custom-made specifications such as load capacitance and temperature characteristics are also available.
Please contact NDK sales with your enquiries.

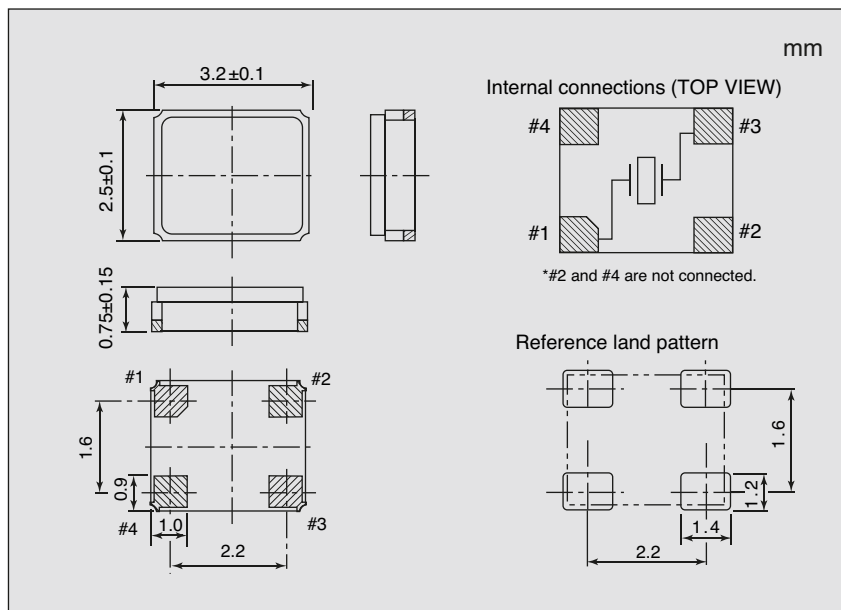
■ How to Specify an Order

When ordering our products, specify them with an "Ordering Code" that consists of the following :

Model name - Frequency (Max : 9 digits) M - Number for specifying an order Example NX3225GA-27.000M-STD-CRG-1

If you have any queries concerning our standard frequencies and numbers for specifying orders, please contact our sales representatives or visit our homepage (<http://www.ndk.com/>).

■ Dimensions



*1 Equivalent Series Resistance

Frequency Range (MHz)	Equivalent Series Resistance max. [Ω]
9.84375 to 12	200
12 to 13	100
13 to 20	80
20 to 50	50