

High Performance PWM Power Switch

Description:

OB2353/OB2354/OB2358 is PWM Power Switch IC series. It features many protections and can ease a flexible system design with reduced external components. Using OB2353/OB2354/OB2358, the internal gate drive capability can be adjustable, which can make the system design easy to meet the requirement of output power, EMI and temperature.

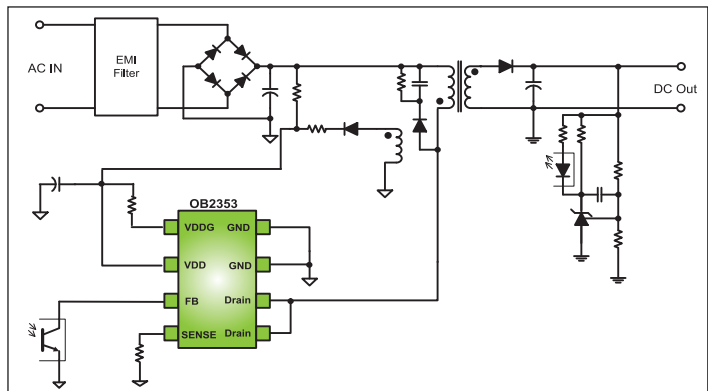
Applications:

- “No Y-CAP” Power Supply
- DVD/DVB Set-top Box Power
- PC, Server and LCD TV Standby Power
- Linear/RCC Replacement
- White Goods

Features:

- Integrated high voltage power MOSFET with external adjustable gate drive capability
- Support No Y-Cap design in sub 20W power range
- Low standby power
- Power on with 4ms soft start
- Leading edge blanking on current sense input
- VDD over voltage protection (OVP)
- Overload protection (OLP)
- Built-in line compensated OCP over universal input
- Frequency Shuffling to Improve EMI Performance
- Available in DIP8 and SOP8 packages,RoHS compliant

Typical Application:



Device	MOSFET R _{dson} (ohm)	Package	Max P _{out} (W) ^{note}	Max P _{out} (W) (85~264V)
OB2353	12	SOP8	8	5
OB2354	9	DIP8	16	9
OB2358	4.4	DIP8	27	12

Note: Maximum practical continuous power in an open frame design with sufficient drain pattern as a heat sink, at 50°C ambient, 230Vac input.