



EVERYTHING

IN A

NEW

LIGHT.

Overvoltage Spark Gaps

OGP-Series, PGP-Series,
PB-Series

PerkinElmer's Overvoltage

Spark Gaps are a family of rugged ceramic-metal hermetically sealed switches for voltages ranging from 500 volts to 100 kV. These switches have peak current capabilities of up to 50 kA. They are ideal for protecting equipment from damaging high voltage surges when they are used in "crowbar" applications. They are also suitable for capacitor switching applications. The OGP-series offer the broadest operating range, while the PGP and PB series offer fast switching for high dv/dt applications. The PB series is intended for direct mounting on printed circuit boards.



Features

- High surge current capability
- Fast switching operation
- High voltage holdoff
- Ceramic-metal construction
- No warm up period
- Long life

OGP Series

Table 1 shows ratings for PerkinElmer's OGP ceramic-metal overvoltage spark gaps when they are used in crowbar service. Note that for each "family" type, a range is shown for Static Breakdown Voltage (SBV); for any given gap, there can be only a single value for SBV.

For rating purposes, crowbar service is defined as being single-shot or very low repetition rate operation such that gap heating is nil. For applications where the various discharge parameters simultaneously approach the values shown, gap life will be on the order of 1000-5000 operations. Longer life can be obtained when operating at reduced power levels; alternatively, operation at higher levels is possible, but life will be reduced.

For applications involving repetitive operation such that gap heating is significant, the ratings of Table 2 apply. For discharge conditions simultaneously approaching the maximums shown, gap life is typically one million to five million operations. Again, a trade off exists between discharge severity and service life.

PGP and PB Series

Table 3 shows ratings for PerkinElmer's PGP and PB Series pulse overvoltage spark gaps. These have been specifically designed to protect critical components against damage caused by fast high voltage transients.

The dynamic breakdown voltage (the voltage at which the gap breaks down under transient conditions) is a function of the rate of rise of the applied voltage (dv/dt). In general, it will be higher for higher dv/dt. The breakdown time of these gaps is much faster than that of conventional overvoltage types, and their dynamic breakdown voltage is relatively close to their static breakdown voltage over a wide range of operating conditions.

PGP Series: In single-shot protection service, these gaps can divert a transient energy as high as 10 joules and conduct a total charge as high as 300 millicoulombs. Dynamic breakdown voltage is typically less than twice their static breakdown voltage for applied voltage transients as fast as 300 kilovolts per microsecond.

PB Series

Peak currents up to 1500 amperes with current rise times on the order of 1-5 nanoseconds are possible. The small size of these devices makes them well suited for use on circuit boards and in other applications where space is restricted. For best results the gap should be tightly coupled across the component to be protected. On nanosecond time scales, the inductive drop across even a few inches of excess wiring can easily exceed the rated turn-on voltage of the gap.

Typical rating for inter-electrode capacitance is 3 pf, dynamic voltage drop is 50 volts, and open circuit resistance at 500 volts is 1000 megohms.

OGP-Series Spark Gap Ratings

Table 1. Crowbar Service

| Family Type (1) | Available Static Breakdown Voltage Range (kV) Min-Max (2) | Maximum Discharge Conditions (4) | |
|-----------------|---|----------------------------------|--|
| | | Peak Current (kA) | Total Conducted Charge per Pulse (millicoulombs) |
| OGP-57 | 1-9 | 5 | 200 |
| OGP-62 | 1-9 | 5 | 200 |
| OGP-64 | 1-9 | 5 | 200 |
| OGP-44 | 9-25 (3) | 5 | 200 |
| OGP-49 | 2-25 (3) | 7.5 | 400 |
| OGP-75 | 10-30 | 20 | 500 |
| OGP-35 | 8-42 (3) | 50 | 1000 |
| OGP-83 | 8-42 (3) | 25 | 800 |
| OGP-67, 73 | 30-65 (3) | 20 | 500 |
| OGP-76 | 30-120 (3) | 50 | 1000 |
| OGP-1501 | 30-120 (3) | 50 | 1000 |

Table 2. Repetitive Switching Service

| Family Type (1) | Available Static Breakdown Voltage Range (kV) Min-Max (2) | Maximum Discharge Conditions (5) | | |
|-----------------|---|--|-----------------------------|----------------------------|
| | | Conducted Charge per Pulse (millicoulombs) | Avg. Current Ib (mA, DC)(6) | RMS (Current IP (A, AC)(7) |
| OGP-57 | 1-9 | 4 | 40 | 6 |
| OGP-62 | 1-9 | 4 | 40 | 6 |
| OGP-64 | 1-9 | 4 | 40 | 6 |
| OGP-44 | 9-25 (3) | 4 | 40 | 6 |
| OGP-49 | 2-25 (3) | 8 | 60 | 8 |
| OGP-75 | 10-30 | 20 | 150 | 10 |
| OGP-35 | 8-42 (3) | 20 | 200 | 15 |
| OGP-83 | 8-42 (3) | 8 | 100 | 10 |
| OGP-67, 73 | 30-65 (3) | 20 | 150 | 10 |
| OGP-76 | 30-120 (3) | 20 | 200 | 15 |
| OGP-1501 | 30-120 (3) | 20 | 200 | 15 |

Notes

- The general family type is listed. Mechanical variations with differing connections are shown in the accompanying drawings. These are designated by the addition of another digit or a letter to the basic family number. For example, the OGP-44 family includes the 44G, 441, 442, 443, 444, 445, 446, 44L and 44R.
- Each overvoltage gap is manufactured with a specific static (or DC) breakdown voltage (SBV). this voltage can be set anywhere within the available min-max range. The SBV is specified by the addition of a dash number to the mechanical type number, giving the SBV in kilovolts.
- These units must be operated in a dielectric medium to prevent external corona or breakdown: OGP-76, above 50kV; OGP-1501, above 35kV; OGP-44, above 15kV; OGP-67 and OGP-73, above 40kV; OGP-49, above 15kV; OGP-83 and OGP-35, above 20kV. Some of the more important derating factors that determine the safe operating voltage in air are the cleanliness of the tube's ceramic insulators, the rate of rise of anode voltage, the dwell time at the operating peak anode voltage, the pulse repetition rate, and ambient pressure, temperature, humidity and contaminant level.
- The ratings shown apply for single-shot service. Under these maximum duty conditions, gap life is typically 1000-5000 operations.
- For conditions approaching these maximum ratings, life is typically one million to five million operations. Longer life can be obtained when operating at reduced levels; alternatively, operation at higher levels is possible, but life will be reduced.
- I_b is the average current through the gap. It is equal to the conducted charge per pulse x pulse repetition rate (prf).
- I_p is the RMS current through the gap. For rectangular current pulses, I_p = √I_b x peak current.

PGP and PB Spark Gap Ratings

Table 3.

| | Available Static Breakdown Voltage Range (kV) Min-Max (1) | Typical Maximum Operating Standoff Voltage (2) | Dynamic Breakdown Voltage, DBV (typical) | Peak Current (kA) | Conducted Charge per Pulse (microcoulombs, maximum) (5) |
|-----------------------------------|---|--|--|-------------------|---|
| PGP Series PGP-571, 574, 575 | 0.5-6 | 80% of SBV | 120-200% of SBV (3) | 10 | 300 |
| PB Series PB-23, 23A, 23C, 23D | 0.5-5 | 80% of SBV | 120-200% of SBV (3) | 1.5 | 50 |

Notes

- The DC voltage at which the gap switches from the open to the conducting state. (For any given gap, SBV has a single fixed value).
- The SBV of an individual gap may be +/- 10% of its nominal value. Therefore, the recommended maximum operating (standoff) voltage is 80% of SBV.
- The range shown is typical for dv/dt between 75 and 300 kV/us.
- The maximum dynamic breakdown voltage is 1000 volts for gaps having SBV between 500 and 750 volts. For higher SBV, DBV is approximately 1.3 times SBV.
- Typical life at rated conducted charged is 500-1000 operations. Life increases substantially at lower operating levels.

Environmental Specifications

| | |
|--------------------------------|------------------------------|
| Ambient temperature range | |
| Operating temperature range | -54 to +100°C |
| Nonoperating temperature range | -65 to +125°C |
| Vibration | 15 to 500 Hz at 10 g maximum |
| Shock | 50 g, 11 milliseconds |
| Thermal Shock | -65 to +125°C |

Electrical Specifications

| | |
|---------------------------|--|
| Electrode capacity | Less than 5 pf. |
| Interelectrode resistance | Greater than 10 ¹⁰ ohms at 500 V. |

Mechanical Specifications

| | |
|-------------------------|--|
| Envelope | Ceramic-metal, hermetically sealed, exposed metal parts nickel plated. |
| Torque applied to studs | 6 inch-pounds maximum. |

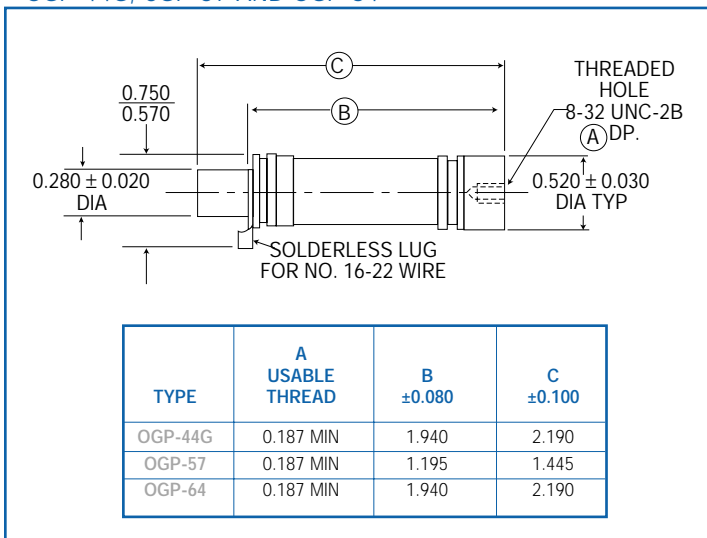
When Ordering All Overvoltage Gaps

Self Breakdown Voltage (SBV) must be specified.

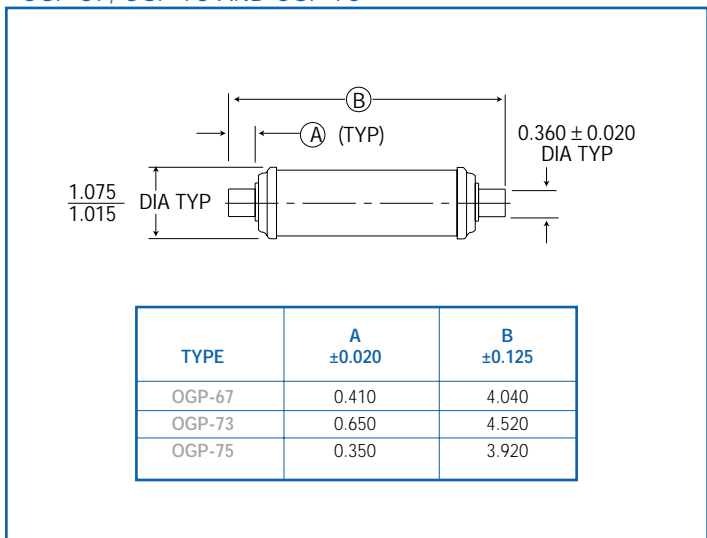
Example: OGP-44G type gap with a 15kV DC SBV must be specified as OGP-44G-15.

Mechanical Specifications

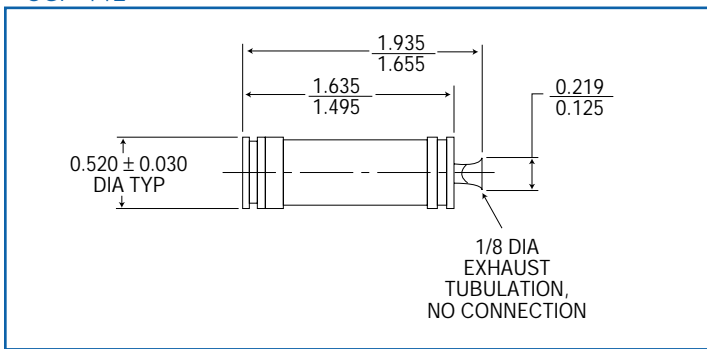
OGP-44G, OGP-57 AND OGP-64



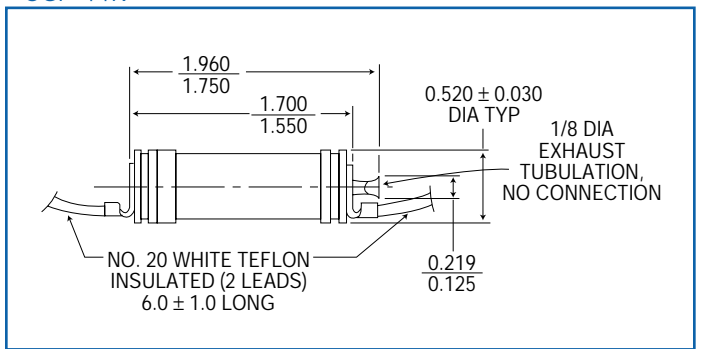
OGP-67, OGP-73 AND OGP-75



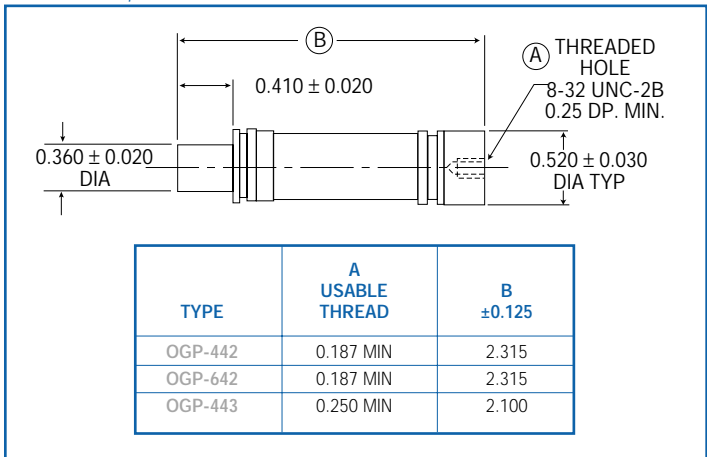
OGP-44L



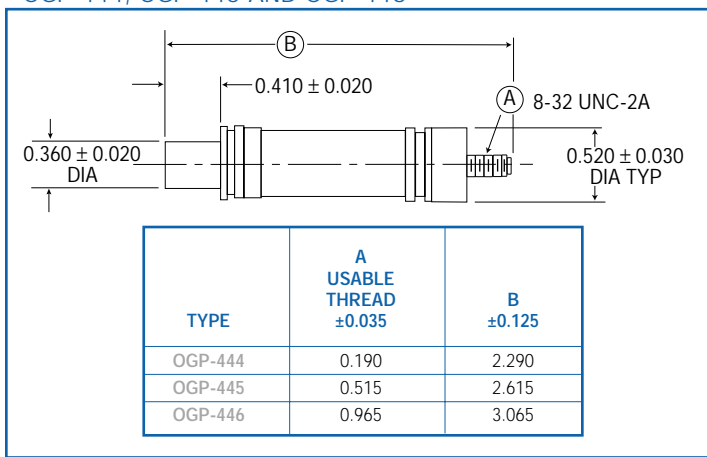
OGP-44R



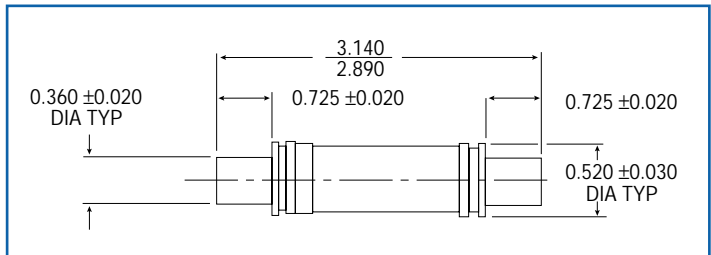
OGP-442, OGP-443 AND OGP-642



OGP-444, OGP-445 AND OGP-446



OGP-441 AND OGP-641

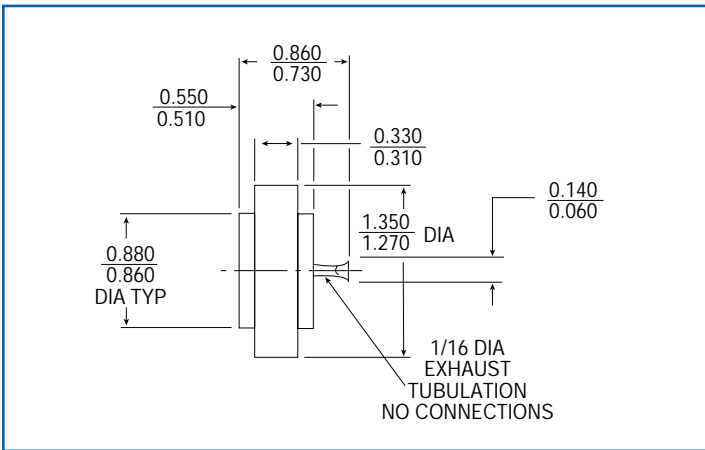


Note: Dimensions in inches

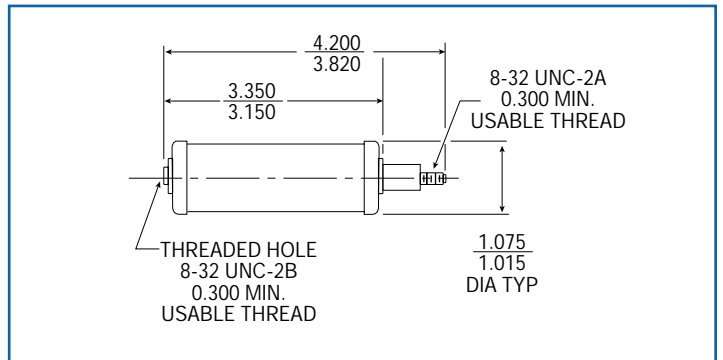
All data and specifications subject to change without notice.

Mechanical Specifications

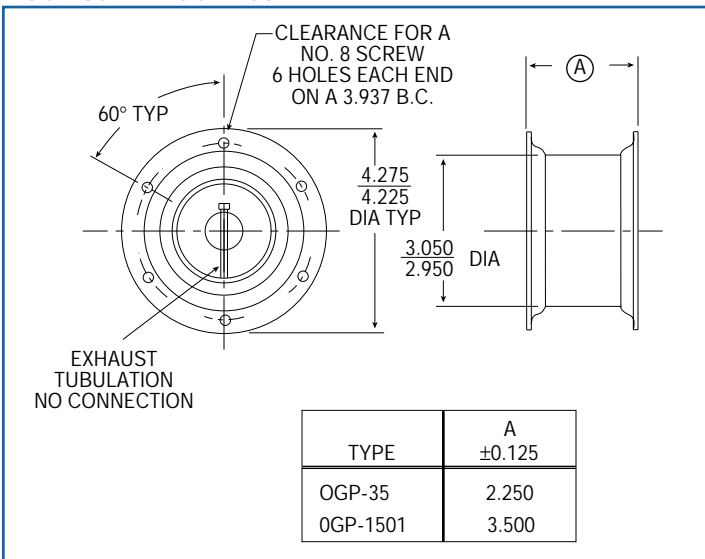
OGP-62



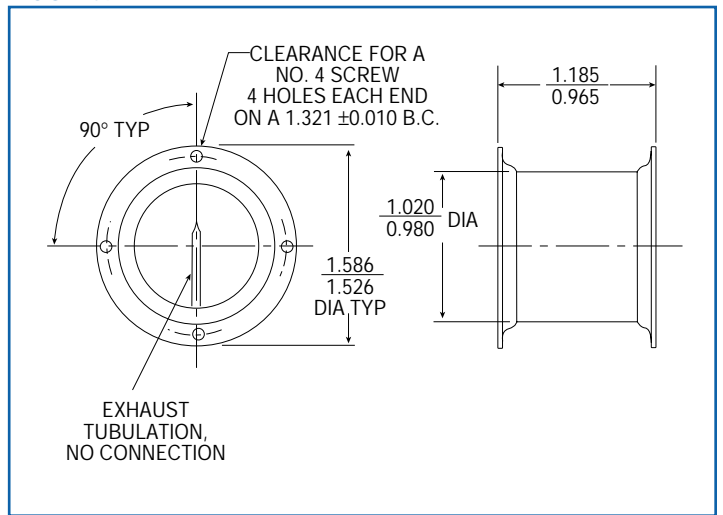
OGP-751



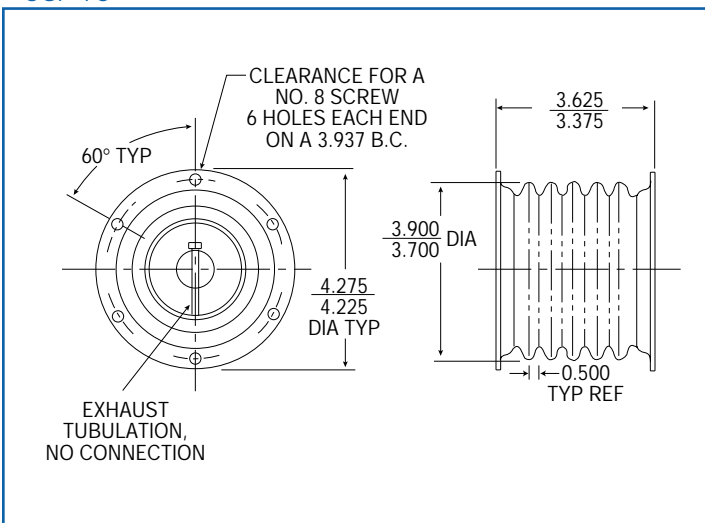
OGP-35 AND OGP-1501



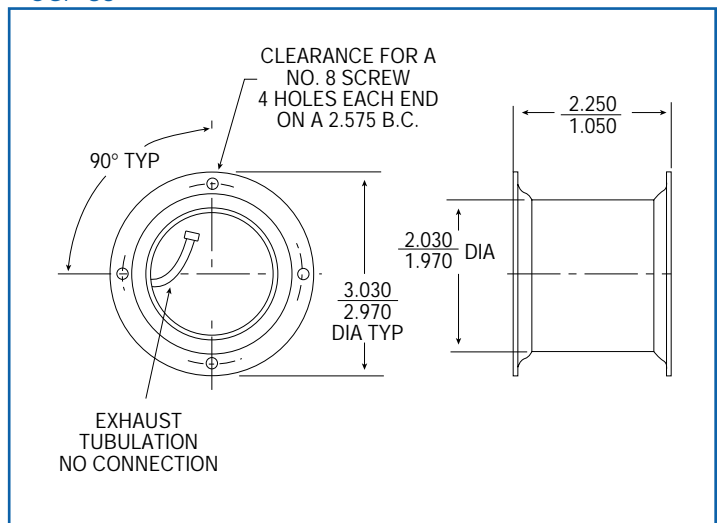
OGP-49



OGP-76



OGP-83

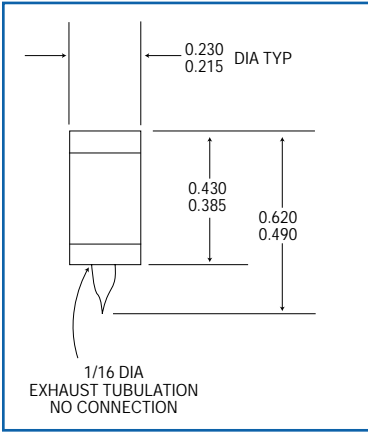


Note: Dimensions in inches

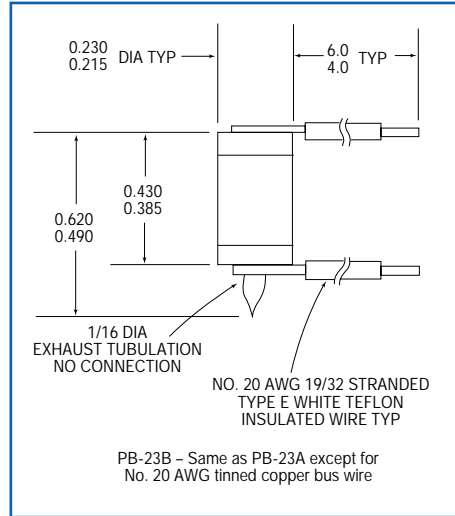
All data and specifications subject to change without notice.

Mechanical Specifications

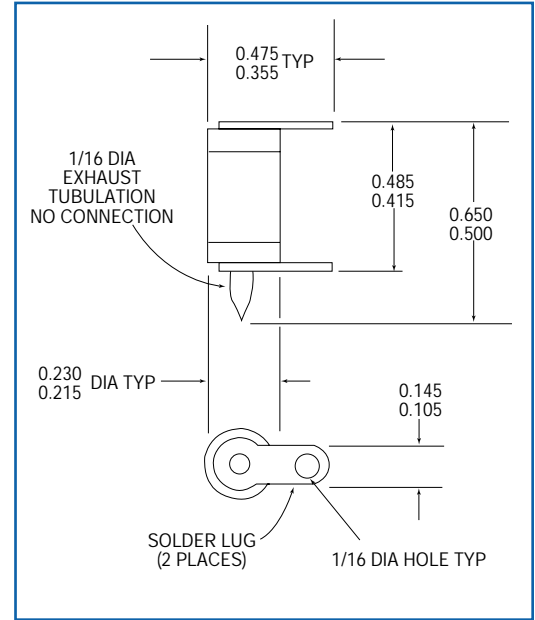
PB-23



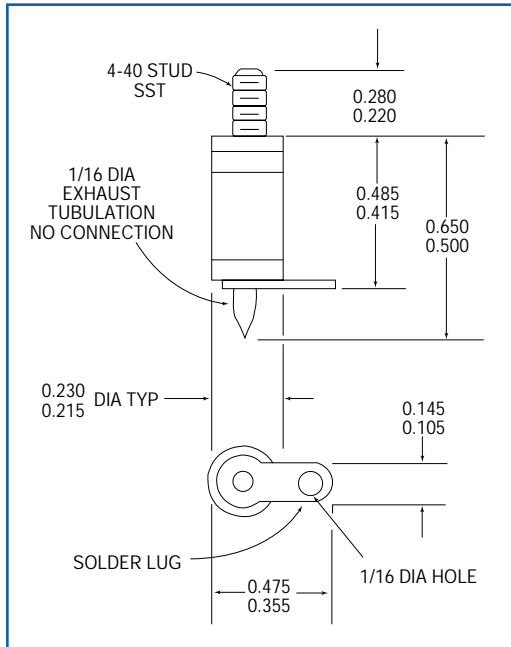
PB-23A



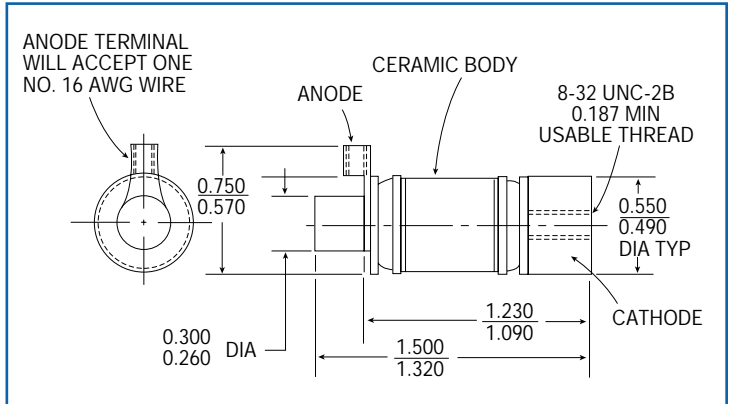
PB-23D



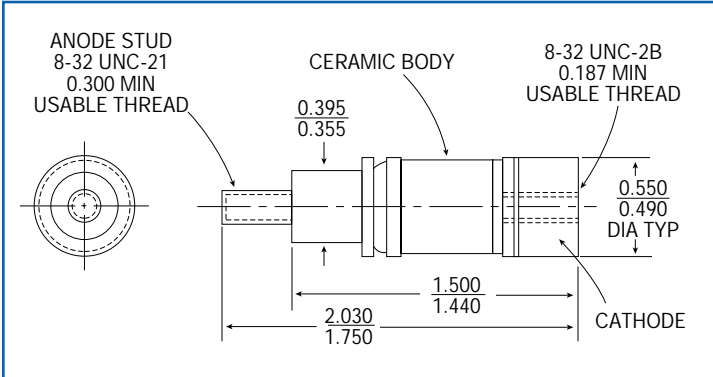
PB-23C



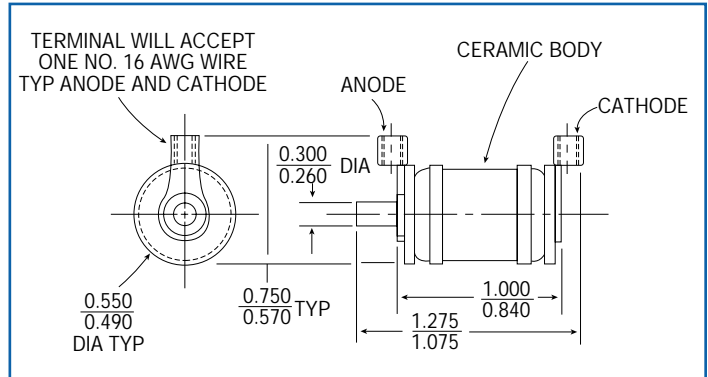
PGP-571



PGP-574



PGP-575



Note: Dimensions in inches

All data and specifications subject to change without notice.

Marking

PerkinElmer's trademark, part designation, and date code.

PerkinElmer welcomes inquiries about special types. We would be pleased to discuss the requirements of your application and the feasibility of designing a type specifically suited to your needs.

Our Quality and Environmental Policy

*“Our goal is to supply our customers
the agreed quantity of specified products and services,
defect free and on time while conducting business
in an environmentally responsible manner”*

* All values are nominal; specifications subject to change without notice.

To request additional information, receive a quote, or place an order, please contact PerkinElmer Optoelectronics at office listed below.



PerkinElmer Optoelectronics
35 Congress Street
Salem, MA 01970
Toll Free: (800) 950-3441 (USA)
Phone: (978) 745-3200
Fax: (978) 745-0894

www.perkinelmer.com/opto

Copyright © PerkinElmer
All rights reserved
Printed in U.S.A. 10/00