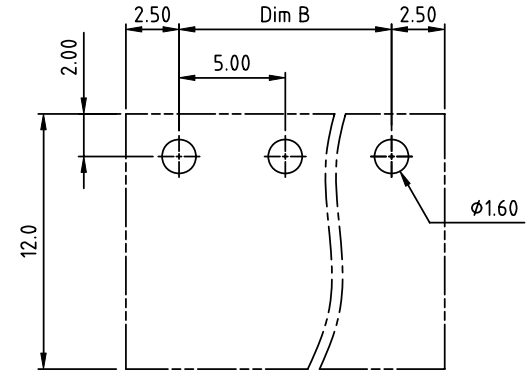
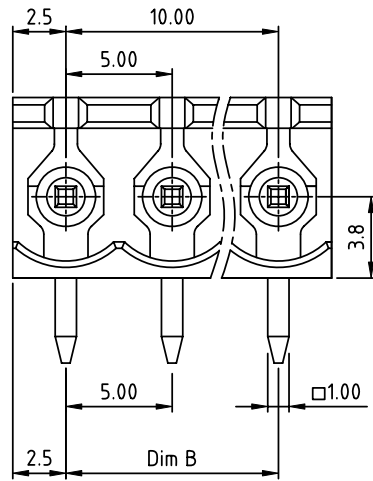
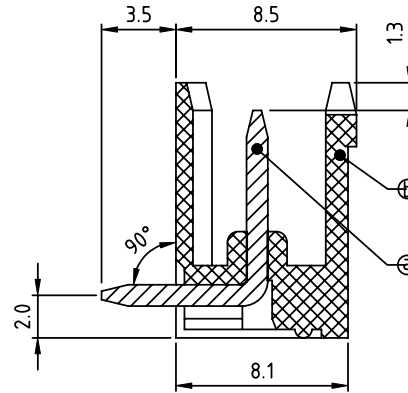
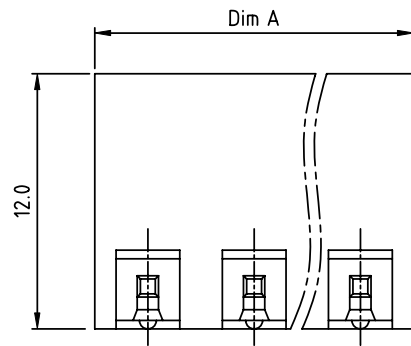


PRODUCT NUMBER	PITCH
OQxx70x100J0G	5.00 mm



RECOMMENDED P.C.B LAYOUT
TOP VIEW



Material:

- Item ① Male contact pin: Copper Tin plated
- Item ② Terminal housing: Thermoplastic (UL94V-0)

- Electrical: cULus /VDE /TUV
- Voltage rating: 300V/300V/300V
 - Current rating: 20A/20A/20A
 - Withstanding Voltage: 1.6 KV/2.5KV/2.5KV
 - Operating temperature: -40°C to +115°C
 - Soldering temperature: 260°C±5°C/5 Sec
 - Safety Approval:

DIMENSION

Dim A	Nx5.0
Dim B&C	(N-1)x5.0

N = Number of poles

Poles	Tolerance
2-6p	±0.15
7-12p	±0.20
13-18p	±0.30
19-24p	±0.40

PART NO.: OQ xx 7 0 x 1 00J0 G

No. of poles	Body Color	RoHS compliant (lead<4%) In copper Alloy
02 2 poles	0 Black (RAL9005)	
03 3 poles	2 Red (RAL3001/D)	
...	3 Orange(RAL2011/P)	
...	4 Yellow(RAL1018/A)	
24 24 poles	5 Green(RAL6018/T)	
	6 Blue (RAL5015/A)	
	8 Grey(RAL7035/D)	
	9 White(RAL1102)	
	C Green(RAL6018/U)	

mat'l. code		surface ASME Y14.5 ✓	tolerance ASME Y14.5	projection 	product family TERMINAL BLOCK
ltr	ecn no	dr	date	tolerances unless otherwise specified	title TERMINAL BLOCK
				angles X°±1°	scale PLUGGABLE SOCKET,OPEN TYPE,RIGHT ANGLE
				dr HANKE FENG 032814	dwg no OQxx70x100J0G
				enrg HANKE FENG 032814	sheet 1 of 1 size A4
				chr SHI JUN 032814	type CUSTOMER Drawing
				appd SHI JUN 032814	
sheet index	revision	A			
	sheet	1			