

400 WATT TVS COMPONENT



DESCRIPTION

The P4SMA series is designed to protect sensitive electronic equipment from voltage transients induced by lightning and other transient voltage events.

FEATURES

- UL Registered
- IEC 61000-4-2 (ESD): Level 4: Air $\pm 30\text{kV}$, Contact $\pm 30\text{kV}$
- IEC 61000-4-4 (EFT): 40A 5/50ns
- IEC 61000-4-5 (Surge)
- 400 Watts Peak Pulse Power per Line ($t_p = 10/1000\mu\text{s}$)
- Excellent Clamping Capability
- Low Incremental Surge Resistance
- Low Leakage Current: $< 1\mu\text{A}$ Typical (Min. $V_{BR} > 12\text{V}$)
- Low Profile Package and Optimized Space Saving Footprint
- Whisker Test Per JEDEC JESD201 - Table 4A and 4C
- Bidirectional and Unidirectional Configurations
- Very Fast Response Time
- Available in Multiple Voltages
- RoHS Compliant
- REACH Compliant

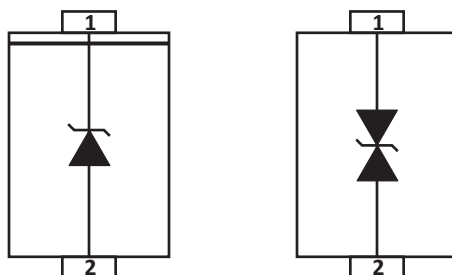
APPLICATIONS

- Power Supply
- AC/DC Applications
- Telecom

MECHANICAL CHARACTERISTICS

- Molded JEDEC DO-214AC Package
- Approximate Weight: 0.06 grams
- Lead-Free Pure-Tin Plating (Annealed)
- Solder Reflow Temperature:
Pure-Tin - Sn, 100: 260-270°C
- 12mm Tape and Reel Per EIA Standard 481
- Terminal: Solderable per MIL-STD-750, Method 2026
- Flammability Rating UL 94V-0

PIN CONFIGURATIONS



TYPICAL DEVICE CHARACTERISTICS
MAXIMUM RATINGS @ 25°C Unless Otherwise Specified

PARAMETER	SYMBOL	VALUE	UNITS
Operating Temperature	T_A	-65 to 150	°C
Storage Temperature	T_{STG}	-65 to 175	°C
Peak Pulse Power (tp =10/1000µs) - See Figure 1 and Note 1, 2 and 5	P_{PP}	400	Watts
Power Dissipation on Infinite Heatsink at $T_L = 50^\circ\text{C}$	P_D	3.3	Watts
Peak Forward Surge Current, 8.3ms single half sinewave - Unidirectional Only (Note 3)	I_{FSM}	60	Amps
Maximum Instantaneous Forward Voltage at 25A - Unidirectional Only (Note 4)	V_F	3.5/5.0	V
Typical Thermal Resistance Junction to Lead	$R_{\theta JL}$	30	°C/W
Typical Thermal Resistance Junction to Ambient	$R_{\theta JA}$	120	°C/W

NOTES

1. Non-repetitive current pulse per Figure 2 and derated above $T_A = 25^\circ\text{C}$ per Figure 3.
2. Mounted on 5.0x5.0mm cooper pad to each terminal.
3. Measured on 8.3ms single half sinewave or equivalent square wave - unidirectional device only.
4. $V_F < 3.5\text{V}$ for single die parts and $V_F < 5.0\text{V}$ for stacked die parts .
5. The P_{PPM} of stacked die parts is 600W. Please contact factory for more information.

ELECTRICAL CHARACTERISTICS PER LINE @ 25°C Unless Otherwise Specified

PART NUMBER (Notes 1-2)	DEVICE MARKING		REVERSE STAND-OFF VOLTAGE V_{RWM} VOLTS	BREAKDOWN VOLTAGE $V_{(BR)} @ I_T$ VOLTS		TEST CURRENT @ I_T mA	MAXIMUM CLAMPING VOLTAGE (Fig. 2) @ I_P V_C VOLTS	MAXIMUM REVERSE SURGE CURRENT @ I_{PP} AMPS	MAXIMUM REVERSE LEAKAGE CURRENT @ V_{RWM} I_R µA
	UNI	BI		MIN	MAX				
P4SMA13A	13A	13C	11.1	12.4	13.7	1	18.2	22.5	1
P4SMA18A	18A	18C	15.3	17.1	18.9	1	25.2	15.8	1
P4SMA33A	33A	33C	28.2	31.4	34.7	1	45.7	9.0	1
P4SMA36A	36A	36C	30.8	34.2	37.8	1	49.9	8.0	1
P4SMA130A	130A	130C	111.0	124.0	137.0	1	179.0	2.3	1
P4SMA200A	200A	200C	171.0	190.0	210.0	1	274.0	1.5	1
P4SMA350A	350A	350C	300.0	332.0	368.0	1	482.0	0.9	1
P4SMA400A	400A	400C	342.0	380.0	420.0	1	548.0	0.8	1
P4SMA440A	440A	440C	376.0	418.00	462.0	1	602.0	0.7	1
P4SMA550A	550A	550C	470.3	522.5	577.5	1	759.0	0.53	1

NOTE

1. 5% tolerance.
2. Add suffix 'CA' after part number to specify a bidirectional device.

TYPICAL DEVICE CHARACTERISTICS

FIGURE 1
PEAK PULSE POWER VS PULSE TIME

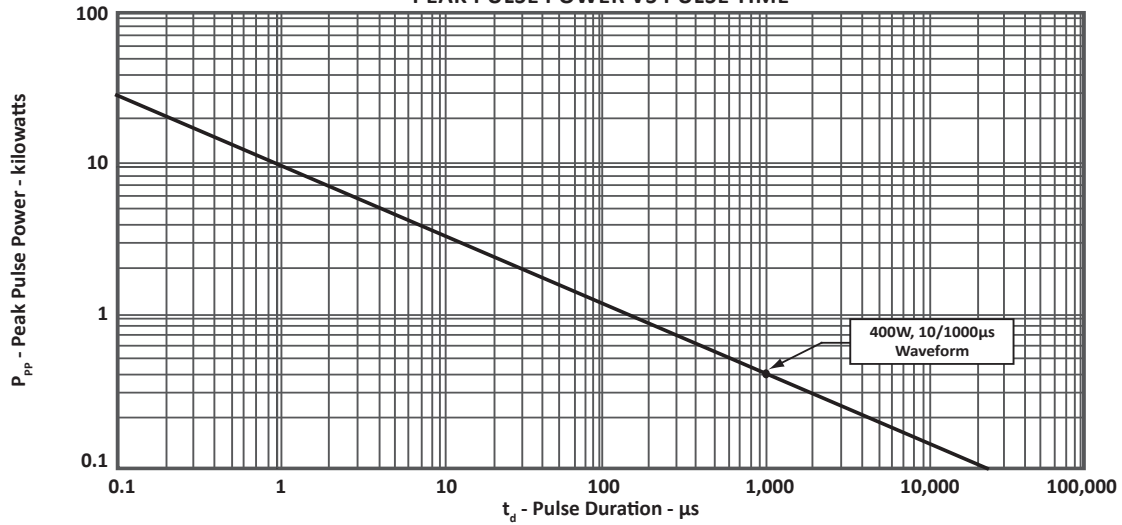


FIGURE 2
PULSE WAVEFORM

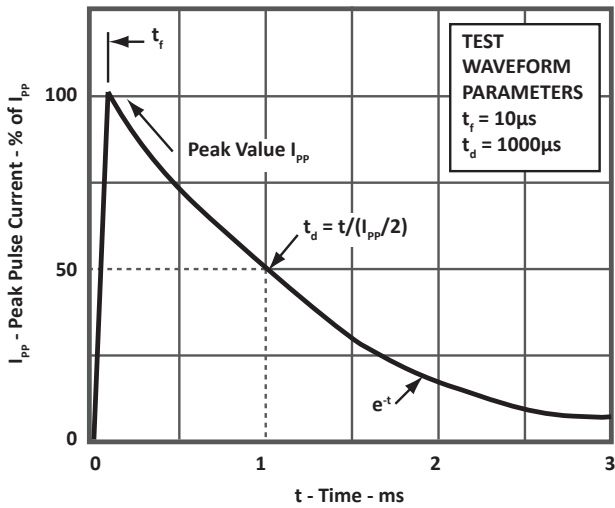
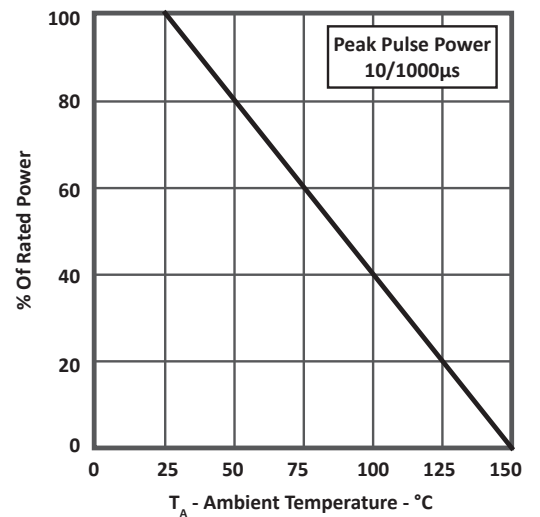


FIGURE 3
POWER DERATING CURVE



TYPICAL DEVICE CHARACTERISTICS

FIGURE 4
TYPICAL JUNCTION CAPACITANCE

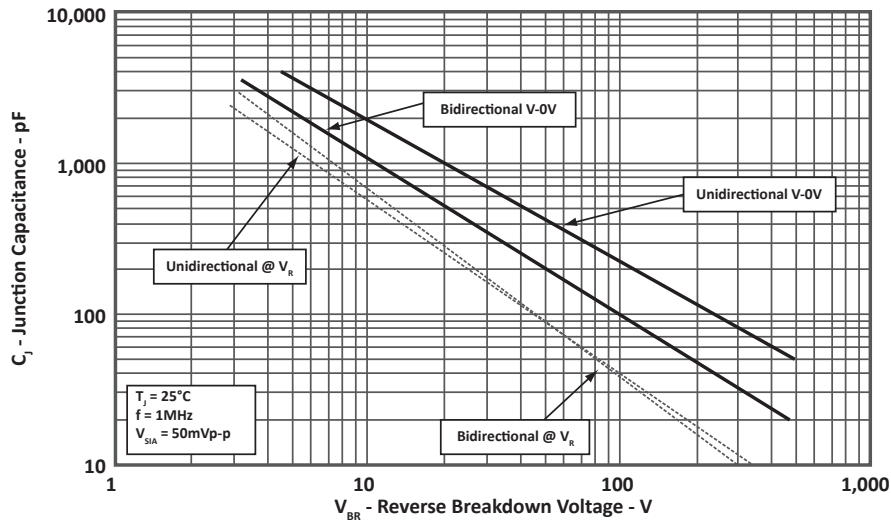


FIGURE 5
MAXIMUM NON-REPETITIVE FORWARD SURGE CURRENT

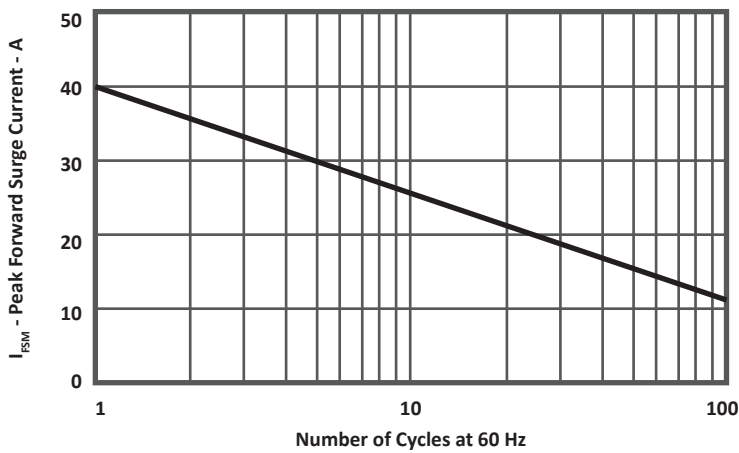
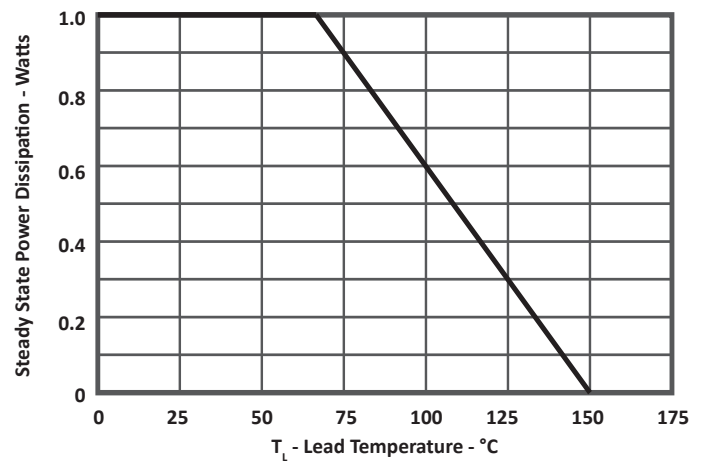


FIGURE 6
STEADY STATE POWER DERATING CURVE



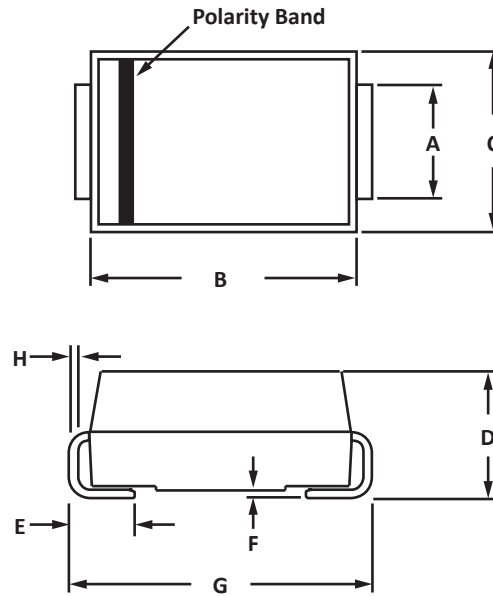
DO-214AC PACKAGE INFORMATION

OUTLINE DIMENSIONS

DIM	MILLIMETERS		INCHES	
	MIN	MAX	MIN	MAX
A	1.23	1.63	0.049	0.064
B	4.10	4.55	0.162	0.179
C	2.51	2.76	0.099	0.109
D	1.96	2.26	0.077	0.089
E	0.75	1.51	0.03	0.06
F	0.00	0.20	0.000	0.008
G	4.87	5.22	0.192	0.206
H	0.15	0.30	0.006	0.012

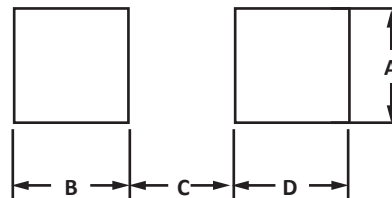
NOTES

1. Dimensions are exclusive of mold flash and metal burrs.

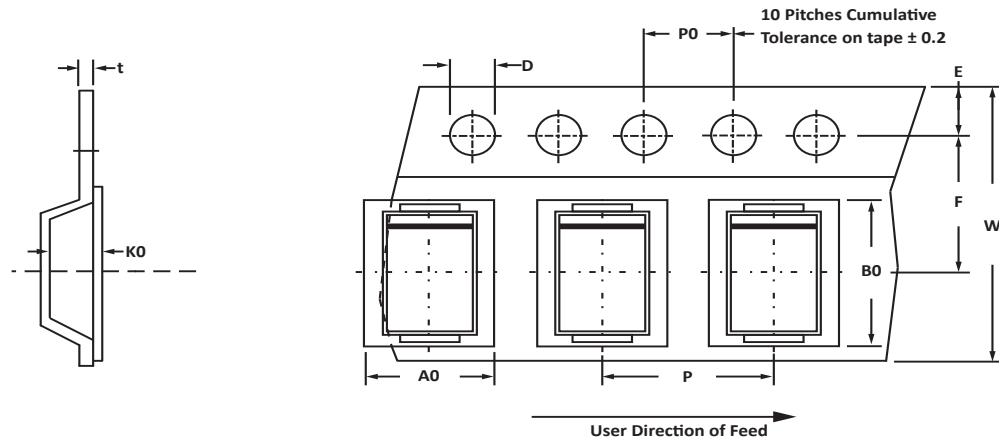


PAD LAYOUT DIMENSIONS

DIM	MILLIMETERS		INCHES	
	MIN	MAX	MIN	MAX
A	1.57	-	0.062	-
B	1.55	-	0.061	-
C	-	2.28	-	0.090
D	1.55	-	0.061	-



TAPE AND REEL



SPECIFICATIONS

REEL DIA.	TAPE WIDTH	A0	B0	K0	D	E	F	W	PO	P	tmax
330mm (13")	12mm	2.79 ± 0.10	5.33 ± 0.10	2.36 ± 0.10	1.55 ± 0.10	1.75 ± 0.10	5.5 ± 0.05	12.00 ± 0.30	4.00 ± 0.10	4.00 ± 0.10	0.4

NOTES

- Dimensions are in millimeters.
- Surface mount product is taped and reeled in accordance with EIA-481.
- Suffix - T13 = 13" Reel - 7,500 pieces and T500 = 7" Reel - 500 pieces per 16mm tape.
- Marking on Part - marking code (see page 2), date code, logo and cathode defined by polarity band.

ORDERING INFORMATION

BASE PART NUMBER (Voltage = xx)	LEADFREE SUFFIX	TAPE SUFFIX	QTY/REEL	REEL SIZE	TUBE QTY
P4SMAxxA	N/A	-T13	7,500	13"	N/A
P4SMAxxCA	N/A	-T13	7,500	13"	N/A
P4SMAxxA	N/A	-T500	500	7"	N/A
P4SMAxxCA	N/A	-T500	500	7"	N/A

This device is only available in a Lead-Free configuration.

COMPANY INFORMATION

COMPANY PROFILE

In business more than 25 years, ProTek Devices™ is a privately held semiconductor company. The company offers a product line of overvoltage protection and overcurrent protection components. These include transient voltage suppressor array (TVS arrays) avalanche breakdown diode, steering diode TVS array and electronics SMD chip fuses. These components deliver circuit protection in electronic systems from numerous overvoltage and overcurrent events. They include lightning; electrostatic discharge (ESD); nuclear electromagnetic pulses (NEMP); inductive switching; and electromagnetic interference (EMI) / radio frequency interference (RFI). ProTek Devices also offers LED wafer die for ESD protection and related high frequency products. ProTek Devices is an ISO 9001 certified company.

CONTACT US

Corporate Headquarters

2929 South Fair Lane
Tempe, Arizona 85282
USA

By Telephone

General: 602-431-8101
Sales: & Marketing: 602-414-5109
Customer Service: 602-414-5114
Product Technical Support: 602-414-5107

By Fax

General: 602-431-2288

By E-mail:

Asia Sales: asiasales@protekdevices.com
Europe Sales: europesales@protekdevices.com
U.S. Sales: ussales@protekdevices.com
Distributor Sales: distysales@protekdevices.com
Customer Service: service@protekdevices.com
Technical Support: support@protekdevices.com

ProTek Devices (Asia Pacific) Pte. Ltd.

8 Ubi Road 2, #06-19
Zervex
Singapore - 408538
Tel: +65-67488312
Fax: +65-67488313

Web

www.protekdevices.com

COPYRIGHT © ProTek Devices 2018 - This literature is subject to all applicable copyright laws and is not for resale in any manner.

SPECIFICATIONS: ProTek reserves the right to change the electrical and or mechanical characteristics described herein without notice.

DESIGN CHANGES: ProTek reserves the right to discontinue product lines without notice and that the final judgement concerning selection and specifications is the buyer's and that in furnishing engineering and technical assistance. ProTek assumes no responsibility with respect to the selection or specifications of such products. ProTek makes no warranty, representation or guarantee regarding the suitability of its products for any particular purpose, nor does ProTek assume any liability arising out of the application or use of any product or circuit and specifically disclaims any and all liability without limitation special, consequential or incidental damages.

LIFE SUPPORT POLICY: ProTek Devices products are not authorized for use in life support systems without written consent from the factory.