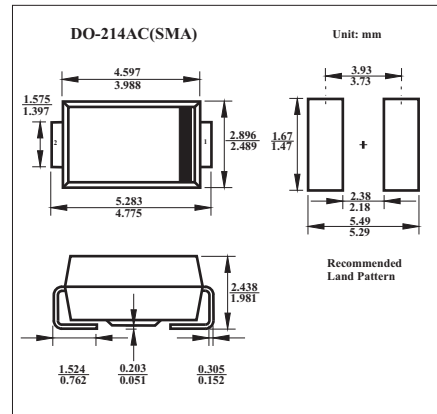


P4SMAJ15A

■ Features

- For surface mounted applications in order to optimize board space.
- Low profile package
- Built-in strain relief
- Glass passivated junction
- Excellent clamping capability
- Low inductance



■ Absolute Maximum Ratings Ta = 25°C

Parameter	Symbol	Ratings	Units
Peak Power Dissipation at TA=25°C, TP=1ms (Note 1,2,5)	PPPM	Minimum 400	W
Steady State Power Dissipation (Note 3)	PM(AV)	1	W
Peak Forward Surge Current (Note 4)	IFSM	40	A
Peak Pulse Current Current on 10/1000µs waveform (Note 1,2,5)	I _{PPM}	See Table	A
Operating and Storage Temperature Range	T _J , T _{STG}	-55 to +150	°C

■ Electrical Characteristics Ta = 25°C

Part Number	Reverse Stand-off Voltage	Breakdown Voltage		Test Current	Reverse Leakage	Max. Clamp Voltage	Peak Pulse Current
	V _{RWM}	V _{BR} @ I _T		I _T	I _R @ V _{RWM}	V _C @ I _{PP}	I _{PP}
		Min.	Max.				
P4SMAJ15A	15	16.7	19.2	1.0	5	24.4	16.4

NOTES:

1. Non-repetitive current pulse and derated above TA = 25°C
2. Mounted on 5.0mm² copper pad to each terminal.
3. lead temperature at 75°C.
4. 8.3ms single half sine-wave, duty cycle= 4 pulses per minutes maximum.
5. Peak pluse power waveformis 10/1000µS.

■ Marking

Marking	IM
---------	----



P4SMAJ15A

Typical Characteristics

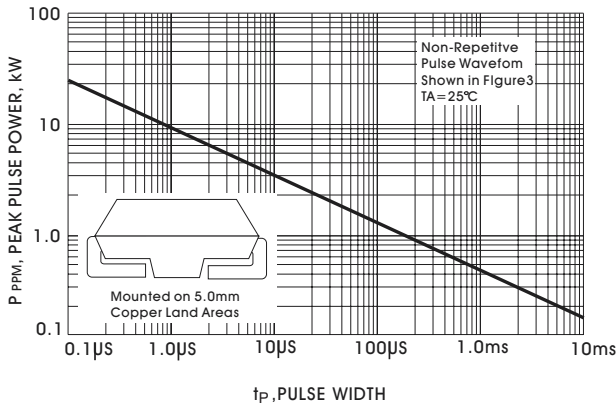


Figure 1, Peak Pulse Power Rating Curve

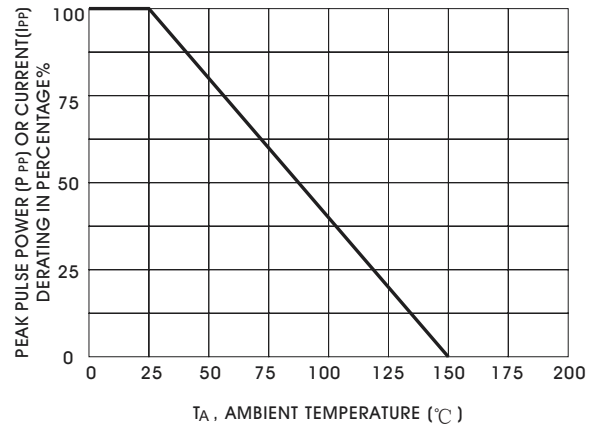


Figure 2, Derating Curve

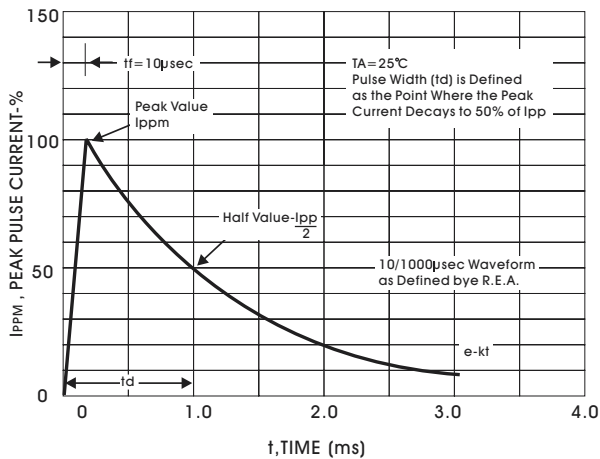


Figure 3, Pulse Waveform

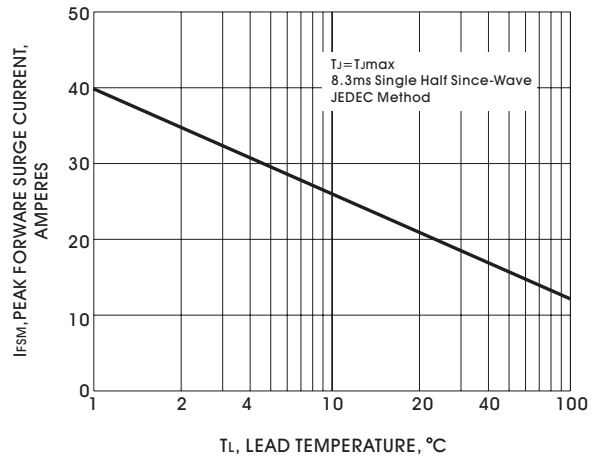


Figure 4, Maximum Non-Repetitive Peak Forward Surge Current

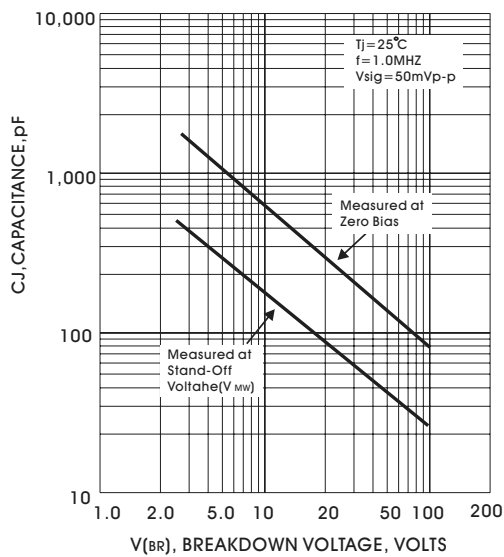


Figure 5, Typical Capacitance