

# PC1366

# LINEAR INTEGRATED CIRCUIT

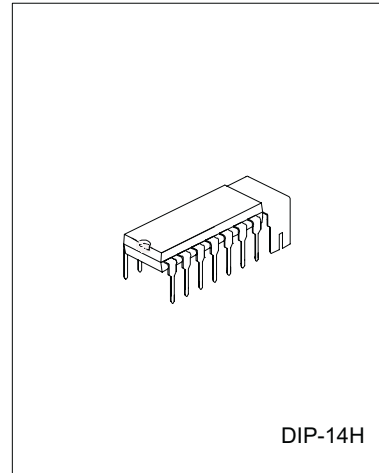
## B/W TV VIF PROCESSING CIRCUIT

### DESCRIPTION

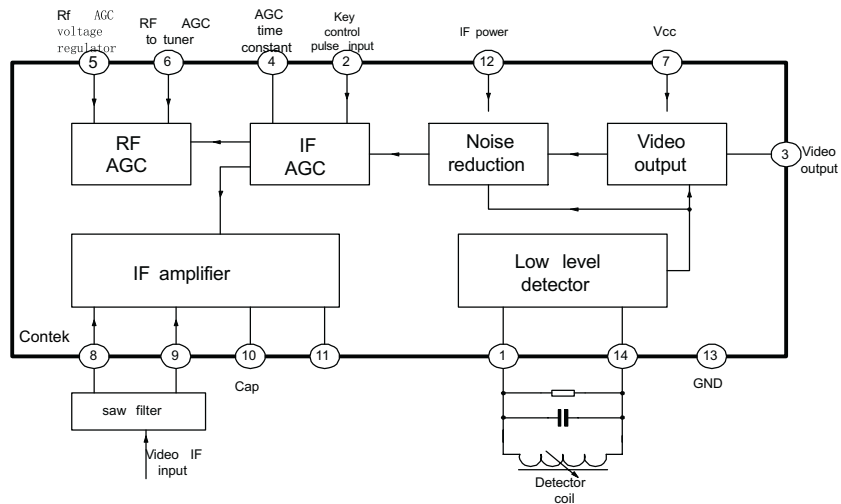
Contek PC1366 is designed for B/W TV VIF processing purpose. It includes VIF amplifier video low level detector AGC, IF AGC and noise reduction circuit.

### FEATURES

- \*High input sensitivity Typ.30dB  $\mu$ .
- \*Key and peak controllable AGC.
- \*Operating voltage down to 7V.
- \*Wide video bandwidth suitable for modulation IF of 4.5, 5.5,6.0,6.5 MHz.
- \*Differential input implied with easy used with SAW
- \*Low external part count.



### BLOCK DIAGRAM



Contek Microelectronics Co.,Ltd.

<http://www.contek-ic.com> E-mail:sales@contek-ic.com

# PC1366

# LINEAR INTEGRATED CIRCUIT

## ABSOLUTE MAXIMUM RATING (Ta=25 °C)

PARAMETER	SYMBOL	VALUE	UNIT
Supply Voltage	VCC	15	V
Output Current	IP-P	3	VP-P
Power Dissipation	PD	875(Ta=75 °C)With heat sink	W
Operating Temperature	TOPR	-20 ~ +70	°C
Storage Temperature	TSTG	-40 ~ +125	°C

## ELECTRICAL CHARACTERISTICS (Ta=25 °C, VCC=12V, fP=38MHz, fm=400Hz)

PARAMETER	SYMBOL	TEST CONDITIONS	MIN	TYP	MAX	UNIT
Total Supply Current	ICC	I7+I12, RA=150Ω	40	50	60	mA
Input Sensitivity	SVI	Modulation=80%, VO=1.4VP-P		30	35	dBμ
Max Input Voltage	VI(MAX)	Modulation=80%, -1dB	100			dBμ
Video Output Voltage	VO	Modulation=80%, VI=3mVrms	1.0	1.4	1.7	VP-P
Video Output DC Voltage	VO(DC)	No signal	3.3	3.8	4.3	V
S/N Ratio	S/N	Modulation=80%-0%, VI=3mVrms	40	50		dB
RF AGC Voltage(Hi)	V6H	V5=0V	8	9	11	V
RF AGC Voltage(Lo)	V6L	V5=7V		0	0.5	V
Differential Gain	D.G.	Step signal, fM=4.43MHz			10	%
Differential Phase	D.P.	Step signal, fM=4.43MHz			10	deg
Video Detector Bandwidth	GV(F)	-3dB point	5.5			MHz
Input Impedance	RIN			1.5		KΩ
Input Capacitance	CIN			3.3		pF



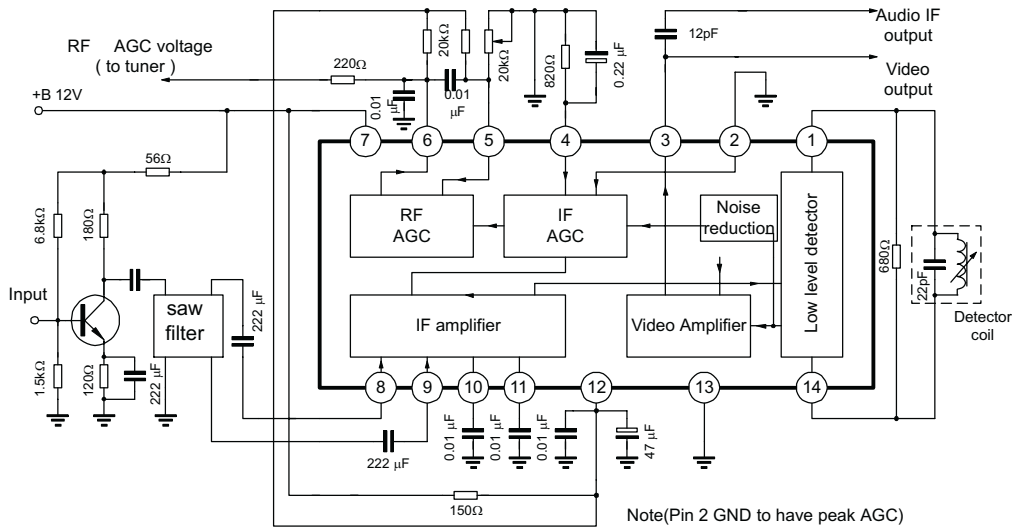
Contek Microelectronics Co., Ltd.

<http://www.contek-ic.com> E-mail: [sales@contek-ic.com](mailto:sales@contek-ic.com)

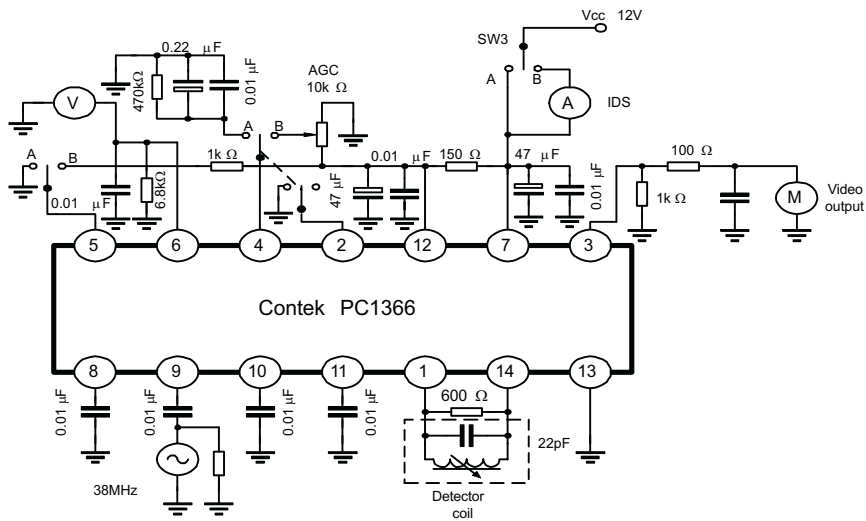
# PC1366

# LINEAR INTEGRATED CIRCUIT

## APPLICATION CIRCUIT



## TEST CIRCUIT



Contek Microelectronics Co.,Ltd.

<http://www.contek-ic.com> E-mail:sales@contek-ic.com

TYPICAL PERFORMANCE CHARACTERISTICS

