

Features

- 300 MHz - 333 MHz To Be Confirmed-PC603e Processor Core Implementing the PowerPC® Architecture
- 32-bit PCI Interface Operating at up to 66 MHz
- Memory Controller Offering SDRAM Support up to 133 MHz Operation, Support up to 2 GB
- General Purpose I/O and ROM Interface Support
- Two Channel DMA Controller that Supports Chaining
- Messaging Unit with I2O Messaging Support Capability
- Industry-standard I²C Interface
- Programmable Interrupt Controller with Multiple Timers and Counters
- 16550-compatible DUART

Description

The PC8245 combines a PC603e core microprocessor with a PCI bridge. The PCI support on the PC8245 will allow system designers to rapidly design systems using peripherals already designed for PCI and the other standard interfaces. The PC8245 also integrates a high-performance memory controller which supports various types of ROM and SDRAM.

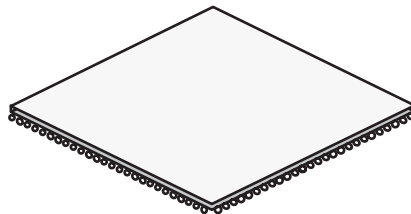
The PC8245 is the second of a family of products that provides system-level support for industry standard interfaces with a PC603e processor core.

This document describes pertinent electrical and physical characteristics of the PC8245. For functional characteristics of the processor, refer to the Motorola's documentation "MPC8245 Integrated Processor User's Manual" (MPC8245UM/D).

Screening/Quality/Packaging

This product is manufactured in full compliance with:

- Upscreening based upon Atmel standards
- Military temperature range ($T_c = -55^\circ\text{C}$, $T_c = +125^\circ\text{C}$)
- Core power supply:
2.0 \pm 100 mV
- I/O power supply: 3.3V \pm 0.3V
- 352 Tape Ball Grid Array (TBGA)



TP suffix

TBGA352
Tape Ball Grid Array



Integrated Processor Family

PC8245 Product Specification

Rev. 2171D-HIREL-06/04

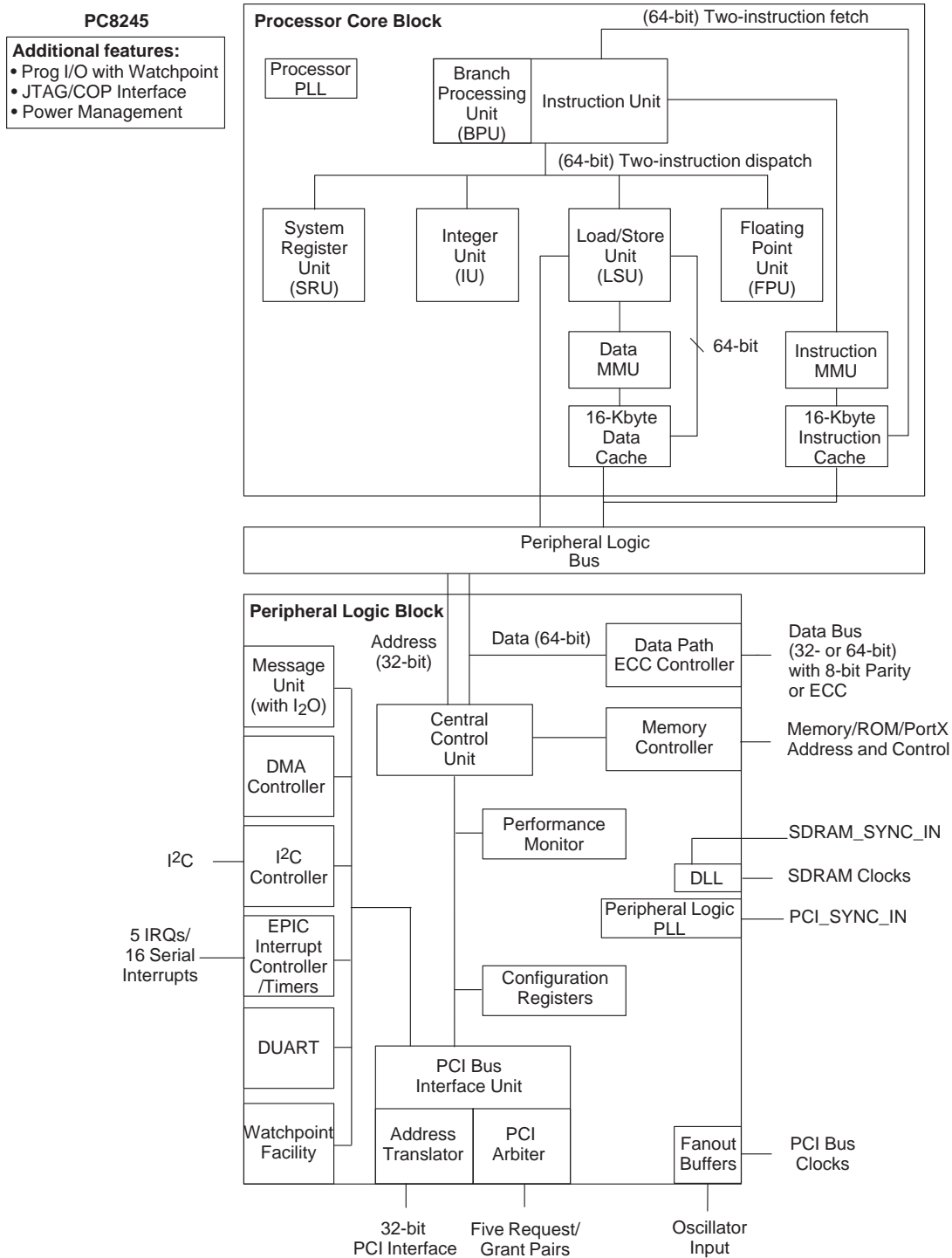


General Description

Block Diagram

The PC8245 integrated processor is comprised of a peripheral logic block and a 32-bit superscalar PowerPC 603e core, as shown in Figure 1.

Figure 1. Block Diagram



The peripheral logic integrates a PCI bridge, dual universal asynchronous receiver/transmitter (DUART), memory controller, DMA controller, EPIC interrupt controller, a message unit (and I²O interface), and a I²C interface controller. The processor core is a full-featured, high-performance processor with floating-point support, memory management, 16-Kbyte instruction cache, 16-Kbyte data cache, and power management features. The integration reduces the overall packaging requirements and the number of discrete devices required for an embedded system.

The PC8245 contains an internal peripheral logic bus that interfaces the processor core to the peripheral logic. The core can operate at a variety of frequencies, allowing the designer to trade-off performance for power consumption. The processor core is clocked from a separate PLL, which is referenced to the peripheral logic PLL. This allows the microprocessor and the peripheral logic block to operate at different frequencies, while maintaining a synchronous bus interface. The interface uses a 64- or 32-bit data bus (depending on memory data bus width) and a 32-bit address bus along with control signals that enable the interface between the processor and peripheral logic to be optimized for performance. PCI accesses to the PC8245 memory space are passed to the processor bus for snooping when snoop mode is enabled.

The processor core and peripheral logic are general-purpose in order to serve a variety of embedded applications. The PC8245 can be used as either a PCI host or PCI agent controller.

General Parameters

The following list provides a summary of the general parameters of the PC8245:

Technology 0.25 μm CMOS, five-layer metal

Die size 49.2 mm²

Transistor count 4.5 million

Logic design Fully static

Packages Surface-mount 352 tape ball grid array (TBGA)

Core power supply 2.0V \pm 100 mV DC

(nominal; see Table “Recommended Operating Conditions” on page 12 for details)

I/O power supply 3.0 to 3.6V DC

Features

Major features of the PC8245 are as follows:

- Processor core
 - High-performance, superscalar processor core
 - Integer unit (IU), floating-point unit (FPU) (software enabled or disabled), load/store unit (LSU), system register unit (SRU), and a branch processing unit (BPU)
 - 16-Kbyte instruction cache
 - 16-Kbyte data cache
 - Lockable L1 caches — entire cache or on a per-way basis up to three of four ways
 - Dynamic power management — supports 60x nap, doze, and sleep modes

- Peripheral logic
 - Peripheral Logic Bus
 - Supports various operating frequencies and bus divider ratios
 - 32-bit address bus, 64-bit data bus
 - Supports full memory coherency
 - Decoupled address and data buses for pipelining of peripheral logic bus accesses
 - Store gathering on peripheral logic bus-to-PCI writes

Memory interface

- Supports up to 2 Gbytes of SDRAM memory
- High-bandwidth data bus (32- or 64-bit) to SDRAM
- Programmable timing supporting SDRAM
- Supports 1 to 8 banks of 16-, 64-, 128-, 256-, or 512-Mbit memory devices
- Write buffering for PCI and processor accesses
- Supports normal parity, read-modify-write (RMW), or ECC
- Data-path buffering between memory interface and processor
- Low-voltage TTL logic (LVTTTL) interfaces
- 272 Mbytes of base and extended ROM/Flash/PortX space
- Base ROM space supports 8-bit data path or same size as the SDRAM data path (32- or 64-bit)
- Extended ROM space supports 8-, 16-, 32-bit gathering data path, 32- or 64-bit (wide) data path
- PortX: 8-, 16-, 32-, or 64-bit general-purpose I/O port using ROM controller interface with programmable address strobe timing, data ready input signal ($\overline{\text{DRDY}}$), and 4 chip selects

32-bit PCI interface

- Operates up to 66 MHz
 - PCI 2.2-compliant
 - PCI 5.0V tolerance
 - Support for dual address cycle (DAC) for 64-bit PCI addressing (master only)
 - Support for PCI locked accesses to memory
 - Support for accesses to PCI memory, I/O, and configuration spaces
 - Selectable big- or little-endian operation
 - Store gathering of processor-to-PCI write and PCI-to-memory write accesses
 - Memory prefetching of PCI read accesses
 - Selectable hardware-enforced coherency
 - PCI bus arbitration unit (five request/grant pairs)
 - PCI agent mode capability
 - Address translation with two inbound and outbound units (ATU)
 - Some internal configuration registers accessible from PCI
- Two-channel integrated DMA controller (writes to ROM/PortX not supported)

- Supports direct mode or chaining mode (automatic linking of DMA transfers)
- Supports scatter gathering — read or write discontinuous memory
- 64-byte transfer queue per channel
- Interrupt on completed segment, chain, and error
- Local-to-local memory
- PCI-to-PCI memory
- Local-to-PCI memory
- PCI memory-to-local memory

Message unit

- Two doorbell registers
- Two inbound and two outbound messaging registers
- I₂O message interface

Two-wire interface controller with full master/slave support that accepts broadcast messages

Embedded programmable interrupt controller (EPIC)

- Five hardware interrupts (IRQs) or 16 serial interrupts
- Four programmable timers with cascade

Two (dual) universal asynchronous receiver/transmitters (UARTs)

Integrated PCI bus and SDRAM clock generation

Programmable PCI bus and memory interface output drivers

- System level performance monitor facility
- Debug features
 - Memory attribute and PCI attribute signals
 - Debug address signals
 - \overline{MIV} signal: marks valid address and data bus cycles on the memory bus
 - Programmable input and output signals with watchpoint capability
 - Error injection/capture on data path
 - IEEE 1149.1 (JTAG)/test interface



Pinout Listing

Table 1 provides the pinout listing for the PC8245, 352 TBGA package.

Table 1. PC8245 Pinout Listing

| Signal Name | Pin Number | Type | Power Supply | Output Driver Type | Notes |
|---------------------------------|---|--------|--------------|--------------------|-------------|
| PCI Interface Signals | | | | | |
| $\overline{C/BE}[3:0]$ | P25 K23 F23 A25 | I/O | OV_{DD} | DRV_PCI | (6)(15) |
| \overline{DEVSEL} | H26 | I/O3 | OV_{DD} | DRV_PCI | (8)(15) |
| \overline{FRAME} | J24 | I/O | OV_{DD} | DRV_PCI | (8)(15) |
| \overline{IRDY} | K25 | I/O | OV_{DD} | DRV_PCI | (8)(15) |
| \overline{LOCK} | J26 | Input | OV_{DD} | – | (8) |
| AD[31:0] | V25 U25 U26 U24 U23 T25 T26 R25 R26 N26 N25 N23 M26 M25 L25 L26 F24 E26 E25 E23 D26 D25 C26 A26 B26 A24 B24 D19 B23 B22 D22 C22 | I/O3 | OV_{DD} | DRV_PCI | (6)(15) |
| PAR | G25 | I/O | OV_{DD} | DRV_PCI | (15) |
| $\overline{GNT}[3:0]$ | W25 W24 W23 V26 | Output | OV_{DD} | DRV_PCI | (6)(15) |
| $\overline{GNT4/DA5}$ | W26 | Output | OV_{DD} | DRV_PCI | (7)(14)(15) |
| $\overline{REQ}[3:0]$ | Y25 AA26 AA25 AB26 | Input | OV_{DD} | – | (6)(12) |
| $\overline{REQ4/DA4}$ | Y26 | I/O | OV_{DD} | – | (12)(14) |
| \overline{PERR} | G26 | I/O | OV_{DD} | DRV_PCI | (8)(15)(18) |
| \overline{SERR} | F26 | I/O | OV_{DD} | DRV_PCI | (8)(15)(16) |
| \overline{STOP} | H25 | I/O | OV_{DD} | DRV_PCI | (8)(15) |
| \overline{TRDY} | K26 | I/O | OV_{DD} | DRV_PCI | (8)(15) |
| \overline{INTA} | AC26 | Output | OV_{DD} | DRV_PCI | (15)(16) |
| IDSEL | P26 | Input | OV_{DD} | – | |
| Memory Interface Signals | | | | | |
| MDL[0:31] | AD17 AE17 AE15 AF15 AC14 AE13 AF13 AF12 AF11 AF10 AF9 AD8 AF8 AF7 AF6 AE5 B1 A1 A3 A4 A5 A6 A7 D7 A8 B8 A10 D10 A12 B11 B12 A14 | I/O | GV_{DD} | DRV_STD_MEM | (5)(6) |
| MDH[0:31] | AC17 AF16 AE16 AE14 AF14 AC13 AE12 AE11 AE10 AE9 AE8 AC7 AE7 AE6 AF5 AC5 E4 A2 B3 D4 B4 B5 D6 C6 B7 C9 A9 B10 A11 A13 B13 A15 | I/O | GV_{DD} | DRV_STD_MEM | (6) |
| DQM[0:7] | AB1 AB2 K3 K2 AC1 AC2 K1 J1 | Output | GV_{DD} | DRV_MEM_CTRL | (6) |
| $\overline{CS}[0:7]$ | Y4 AA3 AA4 AC4 M2 L2 M1 L1 | Output | GV_{DD} | DRV_MEM_CTRL | (6) |
| \overline{FOE} | H1 | I/O | GV_{DD} | DRV_MEM_CTRL | (3)(4) |
| $\overline{RCS0}$ | N4 | Output | GV_{DD} | DRV_MEM_CTRL | (3)(4) |
| $\overline{RCS1}$ | N2 | Output | GV_{DD} | DRV_MEM_CTRL | |

Table 1. PC8245 Pinout Listing (Continued)

| Signal Name | Pin Number | Type | Power Supply | Output Driver Type | Notes |
|---|-------------------------------|--------|--------------|--------------------|-----------|
| $\overline{RCS2}$ /TRIG_IN | AF20 | I/O | OV_{DD} | – | (10)(14) |
| $\overline{RCS3}$ /TRIG_OUT | AC18 | Output | GV_{DD} | DRV_MEM_CTRL | (14) |
| SDMA[1:0] | W1 W2 | I/O | GV_{DD} | DRV_MEM_CTRL | (3)(4)(6) |
| SDMA[11:2] | N1 R1 R2 T1 T2 U4 U2 U1 V1 V3 | Output | GV_{DD} | DRV_MEM_CTRL | (6) |
| \overline{DRDY} | B20 | Input | OV_{DD} | – | (9)(14) |
| SDMA12/ \overline{SRESET} | B16 | I/O | GV_{DD} | DRV_MEM_CTRL | (10)(14) |
| SDMA13/TBEN | B14 | I/O | GV_{DD} | DRV_MEM_CTRL | (10)(14) |
| SDMA14/ $\overline{CHKSTOP_IN}$ | D14 | I/O | GV_{DD} | DRV_MEM_CTRL | (10)(14) |
| SDBA1 | P1 | Output | GV_{DD} | DRV_MEM_CTRL | |
| SDBA0 | P2 | Output | GV_{DD} | DRV_MEM_CTRL | |
| PAR[0:7] | AF3 AE3 G4 E2 AE4 AF4 D2 C2 | I/O | GV_{DD} | DRV_STD_MEM | (6) |
| \overline{SDRAS} | AD1 | Output | GV_{DD} | DRV_MEM_CTRL | (3) |
| \overline{SDCAS} | AD2 | Output | GV_{DD} | DRV_MEM_CTRL | (3) |
| CKE | H2 | Output | GV_{DD} | DRV_MEM_CTRL | (3)(4) |
| \overline{WE} | AA1 | Output | GV_{DD} | DRV_MEM_CTRL | |
| \overline{AS} | Y1 | Output | GV_{DD} | DRV_MEM_CTRL | (3)(4) |
| EPIC Control Signals | | | | | |
| IRQ0/S_INT | C19 | Input | OV_{DD} | – | |
| IRQ1/S_CLK | B21 | I/O | OV_{DD} | DRV_PCI | |
| IRQ2/S_RST | AC22 | I/O | OV_{DD} | DRV_PCI | |
| IRQ_3/ $\overline{S_FRAME}$ | AE24 | I/O | OV_{DD} | DRV_PCI | |
| IRQ_4/ $\overline{L_INT}$ | A23 | I/O | OV_{DD} | DRV_PCI | |
| Two-wire Interface Control Signals | | | | | |
| SDA | AE20 | I/O | OV_{DD} | DRV_STD_MEM | (10)(16) |
| SCL | AF21 | I/O | OV_{DD} | DRV_STD_MEM | (10)(16) |
| DUART Control Signals | | | | | |
| SOUT1/PCI_CLK0 | AC25 | Output | GV_{DD} | DRV_PCI_CLK | (13)(14) |
| SIN1/PCI_CLK1 | AB25 | I/O | GV_{DD} | DRV_PCI_CLK | (13)(14) |
| SOUT2/ $\overline{RTS1}$ /PCI_CLK2 | AE26 | Output | GV_{DD} | DRV_PCI_CLK | (13)(14) |
| SIN2/ $\overline{CTS1}$ /PCI_CLK3 | AF25 | I/O | GV_{DD} | DRV_PCI_CLK | (13)(14) |
| Clock Out Signals | | | | | |
| PCI_CLK0/SOUT1 | AC25 | Output | GV_{DD} | DRV_PCI_CLK | (13)(14) |
| PCI_CLK1/SIN1 | AB25 | I/O | GV_{DD} | DRV_PCI_CLK | (13)(14) |
| PCI_CLK2/ $\overline{RTS1}$ /SOUT2 | AE26 | Output | GV_{DD} | DRV_PCI_CLK | (13)(14) |
| PCI_CLK3/ $\overline{CTS1}$ /SIN2 | AF25 | I/O | GV_{DD} | DRV_PCI_CLK | (13)(14) |

Table 1. PC8245 Pinout Listing (Continued)

| Signal Name | Pin Number | Type | Power Supply | Output Driver Type | Notes |
|--|---------------------|--------|------------------|--------------------------------|---------------|
| PCI_CLK4/DA3 | AF26 | Output | GV _{DD} | DRV_PCI_CLK | (13)(14) |
| PCI_SYNC_OUT | AD25 | Output | GV _{DD} | DRV_PCI_CLK | |
| PCI_SYNC_IN | AB23 | Input | GV _{DD} | – | |
| SDRAM_CLK [0:3] | D1 G1 G2 E1 | Output | GV _{DD} | DRV_MEM_CTRL or DRV_MEM_CLK | (6)(21) |
| SDRAM_SYNC_OUT | C1 | Output | GV _{DD} | DRV_MEM_CTRL or DRV_MEM_CLK | (21) |
| SDRAM_SYNC_IN | H3 | Input | GV _{DD} | – | |
| CKO/DA1 | B15 | Output | OV _{DD} | DRV_STD_MEM | (14) |
| OSC_IN | AD21 | Input | OV _{DD} | – | (19) |
| Miscellaneous Signals | | | | | |
| $\overline{\text{HRST_CTRL}}$ | A20 | Input | OV _{DD} | – | |
| $\overline{\text{HRST_CPU}}$ | A19 | Input | OV _{DD} | – | |
| $\overline{\text{MCP}}$ | A17 | Output | OV _{DD} | DRV_STD_MEM | (3)(4)(17) |
| NMI | D16 | Input | OV _{DD} | – | |
| $\overline{\text{SMI}}$ | A18 | Input | OV _{DD} | – | (10) |
| $\overline{\text{SRESET/SDMA12}}$ | B16 | I/O | GV _{DD} | DRV_MEM_CTRL | (10)(14) |
| TBEN/SDMA13 | B14 | I/O | GV _{DD} | DRV_MEM_CTRL | (10)(14) |
| $\overline{\text{QACK/DA0}}$ | F2 | Output | OV _{DD} | DRV_STD_MEM | (3)(4)(14) |
| $\overline{\text{CHKSTOP_IN/SDMA14}}$ | D14 | I/O | GV _{DD} | DRV_MEM_CTRL | (10)(14) |
| TRIG_IN/ $\overline{\text{RCS2}}$ | AF20 | I/O | OV _{DD} | – | (10)(14) |
| TRIG_OUT/ $\overline{\text{RCS3}}$ | AC18 | Output | GV _{DD} | DRV_MEM_CTRL | (14) |
| MAA[0:2] | AF2 AF1 AE1 | Output | GV _{DD} | DRV_STD_MEM | (3)(4)(6) |
| $\overline{\text{MIV}}$ | A16 | Output | OV _{DD} | – | (24) |
| PMAA[0:1] | AD18 AF18 | Output | OV _{DD} | DRV_STD_MEM | (3)(4)(6)(15) |
| PMAA[2] | AE19 | Output | OV _{DD} | DRV_STD_MEM | (4)(6)(15) |
| Test/Configuration Signals | | | | | |
| PLL_CFG[0:4]/DA[10:6] | A22 B19 A21 B18 B17 | I/O | OV _{DD} | DRV_STD_MEM | (6)(14)(20) |
| $\overline{\text{TEST0}}$ | AD22 | Input | OV _{DD} | – | (1)(9) |
| $\overline{\text{DRDY}}$ | B20 | Input | OV _{DD} | – | (9)(10)(14) |
| RTC | Y2 | Input | GV _{DD} | – | (11) |
| TCK | AF22 | Input | OV _{DD} | – | (9)(12) |
| TDI | AF23 | Input | OV _{DD} | – | (9)(12) |
| TDO | AC21 | Output | OV _{DD} | – | (24) |
| TMS | AE22 | Input | OV _{DD} | – | (9)(12) |
| $\overline{\text{TRST}}$ | AE23 | Input | OV _{DD} | – | (9)(12) |

Table 1. PC8245 Pinout Listing (Continued)

| Signal Name | Pin Number | Type | Power Supply | Output Driver Type | Notes |
|---------------------------------|--|--|--------------------|--------------------|-------------|
| Power and Ground Signals | | | | | |
| GND | AA2 AA23 AC12 AC15 AC24 AC3 AC6 AC9 AD11 AD14 AD16 AD19 AD23 AD4 AE18 AE2 AE21 AE25 B2 B25 B6 B9 C11 C13 C16 C23 C4 C8 D12 D15 D18 D21 D24 D3 F25 F4 H24 J25 J4 L24 L3 M23 M4 N24 P3 R23 R4 T24 T3 V2 V23 W3 | Ground | – | – | |
| LV _{DD} | AC20 AC23 D20 D23 G23 P23 Y23 | Reference voltage 3.3V, 5.0V | LV _{DD} | – | |
| GV _{DD} | AB3 AB4 AC10 AC11 AC8 AD10 AD13 AD15 AD3 AD5 AD7 C10 C12 C3 C5 C7 D13 D5 D9 E3 G3 H4 K4 L4 N3 P4 R3 U3 V4 Y3 | Power for Memory Drivers 3.3V | GV _{DD} | – | |
| OV _{DD} | AB24 AD20 AD24 C14 C20 C24 E24 G24 J23 K24 M24 P24 T23 Y24 | PCI/Stnd 3.3V | OV _{DD} | – | |
| V _{DD} | AA24 AC16 AC19 AD12 AD6 AD9 C15 C18 C21 D11 D8 F3 H23 J3 L23 M3 R24 T4 V24 W4 | Power for Core 1.8/2.0V | V _{DD} | – | (22) |
| No Connect | D17 | – | – | – | (23) |
| AV _{DD} | C17 | Power for PLL (CPU Core Logic) 1.8/2.0V | AV _{DD} | – | (22) |
| AV _{DD} 2 | AF24 | Power for PLL (Peripheral Logic) 1.8/2.0V | AV _{DD} 2 | – | (22) |
| Debug/Manufacturing Pins | | | | | |
| DA0/ \overline{QACK} | F2 | Output | OV _{DD} | DRV_STD_MEM | (3)(4)(14) |
| DA1/CKO | B15 | Output | OV _{DD} | DRV_STD_MEM | (14) |
| DA2 | C25 | Output | OV _{DD} | DRV_PCI | (2) |
| DA3/PCI_CLK4 | AF26 | Output | GV _{DD} | DRV_PCI_CLK | (14) |
| DA4/ $\overline{REQ4}$ | Y26 | I/O | OV _{DD} | – | (12)(14) |
| DA5/ $\overline{GNT4}$ | W26 | Output | OV _{DD} | DRV_PCI | (7)(14)(15) |
| DA[10:6]/PLL_CFG[0:4] | A22 B19 A21 B18 B17 | I/O | OV _{DD} | DRV_STD_MEM | (6)(14)(20) |
| DA[11] | AD26 | Output | OV _{DD} | DRV_PCI | (2) |
| DA[12:13] | AF17 AF19 | Output | OV _{DD} | DRV_STD_MEM | (2)(6) |
| DA[14:15] | F1 J2 | Output | GV _{DD} | DRV_MEM_CTRL | (2)(6) |

- Notes: 1. Place a pull-up resistor of 120 Ω or less on the TEST0 pin.
2. Treat these pins as no connects (NC) unless using debug address functionality.

3. This pin has an internal pull-up resistor which is enabled only when the PC8245 is in the reset state. The value of the internal pull-up resistor is not guaranteed, but is sufficient to ensure that a logic 1 is read into configuration bits during reset.
4. This pin is a reset configuration pin.
5. DL[0] is a reset configuration pin and has an internal pull-up resistor which is enabled only when the PC8245 is in the reset state. The value of the internal pull-up resistor is not guaranteed, but is sufficient to ensure that a logic 1 is read into configuration bits during reset.
6. Multi-pin signals such as AD[31:0] or MDL[0:31] have their physical package pin numbers listed in order, corresponding to the signal names. Example: AD0 is on pin C22, AD1 is on pin D22, ..., AD31 is on pin V25.
7. $\overline{\text{GNT4}}$ is a reset configuration pin and has an internal pull-up resistor which is enabled only when the PC8245 is in the reset state.
8. Recommend a weak pull-up resistor (2 k Ω – 10 k Ω) be placed on this PCI control pin to LV_{DD}.
9. V_{IH} and V_{IL} for these signals are the same as the PCI V_{IH} and V_{IL} entries in Table 4 on page 23.
10. Recommend a weak pull-up resistor (2 k Ω – 10 k Ω) be placed on this pin to OV_{DD}.
11. Recommend a weak pull-up resistor (2 k Ω – 10 k Ω) be placed on this pin to GV_{DD}.
12. This pin has an internal pull-up resistor which is enabled at all times. The value of the internal pull-up resistor is not guaranteed, but is sufficient to prevent unused inputs from floating.
13. External PCI clocking source or fan-out buffer may be required for system if using the PC8245 DUART functionality since PCI_CLK[0:3] are not available in DUART mode. Only PCI_CLK4 is available in DUART mode.
14. This pin is a multiplexed signal and appears more than once in this table.
15. This pin is affected by programmable PCI_HOLD_DEL parameter.
16. This pin is an open drain signal.
17. This pin can be programmed to be driven (default) or can be programmed (in PMCR2) to be open drain.
18. This pin is a sustained three-state pin as defined by the PCI Local Bus Specification.
19. OSC_IN utilizes the 3.3V PCI interface driver which is 5V tolerant, see Table “Recommended Operating Conditions” on page 12 for details.
20. PLL_CFG[0:4] signals are sampled a few clocks after the negation of $\overline{\text{HRST_CPU}}$ and $\overline{\text{HRST_CTRL}}$.
21. SDRAM_CLK[0:3] and SDRAM_SYNC_OUT signals use DRV_MEM_CTRL for chip Rev 1.1 (A). These signals use DRV_MEM_CLK for chip Rev 1.2 (B).
22. The 266 and 300 MHz part offerings can be ran at a source voltage of 1.8 \pm 100 mV or 2.0 \pm 100 mV. Note that source voltage should be 2.0 \pm 100 mV for 333- and 350-MHz parts.
23. This pin was formally LAVDD on the PC8240. It is a no connect on the PC8245. This should not pose a problem when replacing an PC8240 with an PC8245.
24. The driver capability of this pin is hardwired to 40 Ω and cannot be changed.

Electrical and Thermal Characteristics

This section provides the AC and DC electrical specifications and thermal characteristics for the PC8245.

DC Electrical Characteristics

This section covers ratings, conditions, and other characteristics.

Absolute Maximum Ratings

The tables in this section describe the PC8245 DC electrical characteristics. Following table provides the absolute maximum ratings.

Absolute Maximum Ratings

| Symbol | Characteristic ⁽¹⁾ | Value | Unit |
|-------------------------------------|--|-------------|------|
| V _{DD} | Supply Voltage – CPU Core and Peripheral Logic | -0.3 to 2.1 | V |
| GV _{DD} | Supply Voltage – Memory Bus Drivers | -0.3 to 3.6 | V |
| OV _{DD} | Supply Voltage – PCI and Standard I/O Buffers | -0.3 to 3.6 | V |
| AV _{DD} /AV _{DD2} | Supply Voltage – PLLs | -0.3 to 2.1 | V |
| LV _{DD} | Supply Voltage – PCI Reference | -0.3 to 5.4 | V |
| V _{IN} | Input Voltage ⁽²⁾ | -0.3 to 3.6 | V |
| T _{STG} | Storage Temperature Range | -65 to 150 | °C |

- Notes:
1. Functional and tested operating conditions are given in Table. Absolute maximum ratings are stress ratings only and functional operation at the maximums is not guaranteed. Stresses beyond those listed may affect device reliability or cause permanent damage to the device.
 2. PCI inputs with LV_{DD} = 5V ± 5% V DC may be correspondingly stressed at voltages exceeding LV_{DD} + 0.5V DC.



Recommended Operating Conditions

Following table provides the recommended operating conditions for the PC8245.

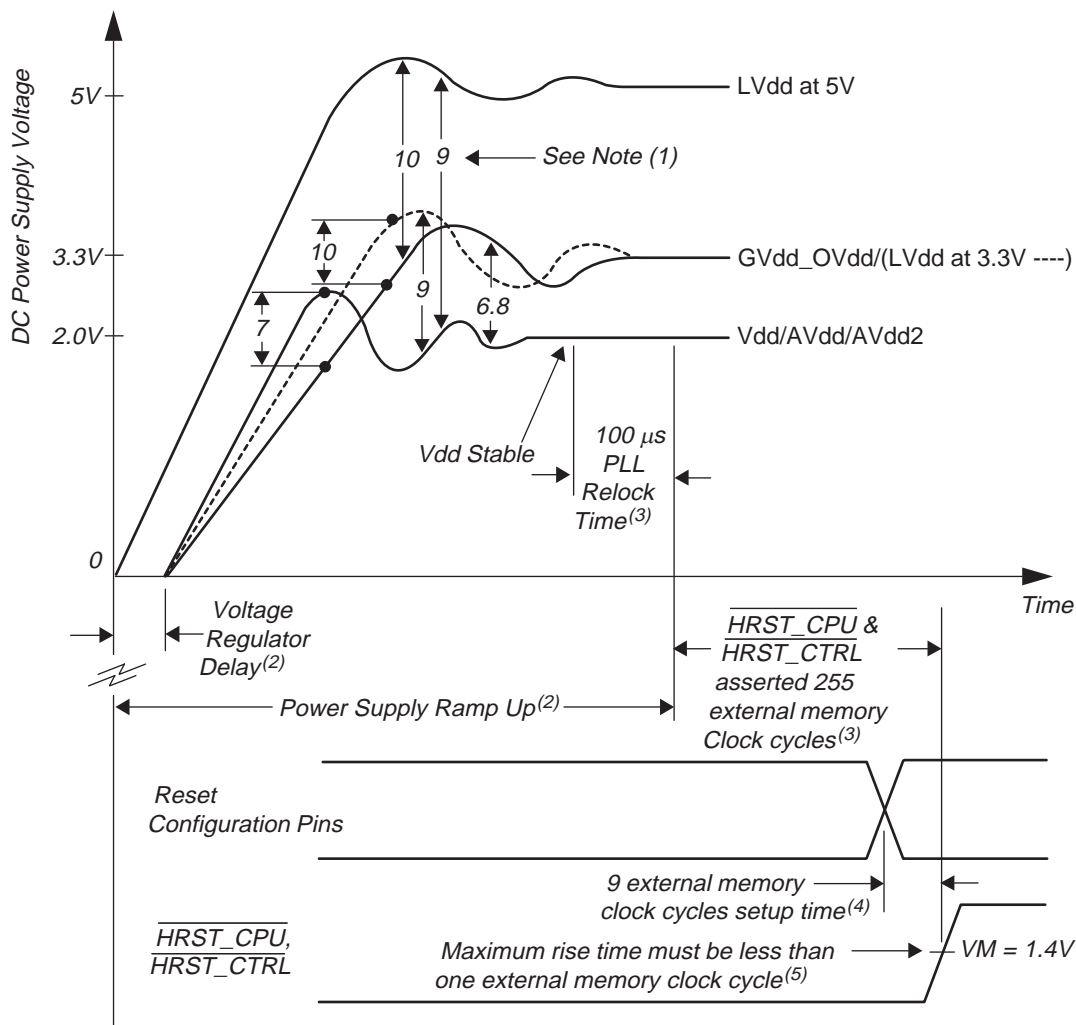
Recommended Operating Conditions

| Symbol | Characteristic ⁽¹⁾⁽⁶⁾ | Recommended Value | Unit | Notes | |
|-------------------|--|-------------------|------------------|-----------|--------|
| V _{DD} | Supply Voltage | 2.0 ± 100 mV | V | (5) | |
| OV _{DD} | I/O Buffer supply for PCI and Standard | 3.3 ± 0.3 | V | (5) | |
| GV _{DD} | Supply Voltages for Memory Bus Drivers | 3.3 ± 5 % | V | (7) | |
| AV _{DD} | CPU PLL Supply Voltage | 2.0 ± 100 mV | V | (5) | |
| AV _{DD2} | PLL Supply Voltage – Peripheral Logic | 2.0 ± 100 mV | V | (5) | |
| LV _{DD} | PCI Reference | 5.0 ± 5 % | V | (2)(8)(9) | |
| | | 3.3 ± 0.3 | V | (3)(8)(9) | |
| V _{IN} | Input Voltage | PCI Inputs | 0 to 3.6 or 5.75 | V | (2)(3) |
| | | All Other Inputs | 0 to 3.6 | V | (4) |
| T _c | Tcase | -55 to 125 | °C | | |

- Notes:
1. These are the recommended and tested operating conditions. Proper device operation outside of these conditions is not guaranteed.
 2. PCI pins are designed to withstand LV_{DD} + 0.5V DC when LV_{DD} is connected to a 5.0V DC power supply.
 3. PCI pins are designed to withstand LV_{DD} + 0.5V DC when LV_{DD} is connected to a 3.3V DC power supply.
 4. Caution: Input voltage (V_{IN}) must not be greater than the supply voltage (V_{DD}/AV_{DD}/AV_{DD2}) by more than 2.5V at all times including during power-on reset. Input voltage (V_{IN}) must not be greater than GV_{DD}/OV_{DD} by more than 0.6V at all times including during power-on reset.
 5. Caution: OV_{DD} must not exceed V_{DD}/AV_{DD}/AV_{DD2} by more than 1.8V at any time including during power-on reset. This limit may be exceeded for a maximum of 20 ms during power-on reset and power-down sequences.
 6. Caution: V_{DD}/AV_{DD}/AV_{DD2} must not exceed OV_{DD} by more than 0.6V at any time including during power-on reset. This limit may be exceeded for a maximum of 20 ms during power-on reset and power-down sequences.
 7. Caution: GV_{DD} must not exceed V_{DD}/AV_{DD}/AV_{DD2} by more than 1.8V at any time including during power-on reset. This limit may be exceeded for a maximum of 20 ms during power-on reset and power-down sequences.
 8. Caution: LV_{DD} must not exceed V_{DD}/AV_{DD}/AV_{DD2} by more than 5.4V at any time including during power-on reset. This limit may be exceeded for a maximum of 20 ms during power-on reset and power-down sequences.
 9. Caution: LV_{DD} must not exceed OV_{DD} by more than 3.0V at any time including during power-on reset. This limit may be exceeded for a maximum of 20 ms during power-on reset and power-down sequences.

Figure 2 shows supply voltage sequencing and separation cautions.

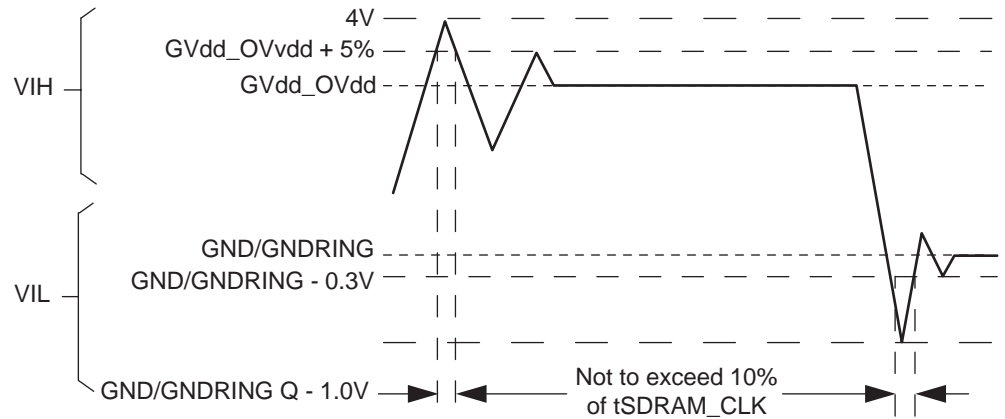
Figure 2. Supply Voltage Sequencing and Separation Cautions



- Notes:
1. Numbers associated with waveform separations correspond to caution numbers listed in Table "Recommended Operating Conditions" on page 12.
 2. Refer to section for additional information.
 3. Refer to Table 7 on page 25 for additional information on PLL Relock and reset signal assertion timing requirements.
 4. Refer to Table 9 on page 31 for additional information on reset configuration pin setup timing requirements.
 5. HRST_CPU/HRST_CTRL must transition from a logic 0 to a logic 1 in less than one SDRAM_SYNC_IN clock cycle for the device to be in the non-reset state.

Figure 3 shows the undershoot and overshoot voltage of the memory interface of the PC8245.

Figure 3. Overshoot/Undershoot Voltage



Thermal Characteristics

Table 2 provides the package thermal characteristics for the PC8245. For further information, see Section “Thermal Management Information” on page 15.

Table 2. Thermal Characterization Data

| Symbol | Characteristic | Value | Unit |
|------------------|--|-------|------|
| $R_{\theta JA}$ | Junction-to-ambient natural convection (Single-layer board—1s) ⁽¹⁾⁽²⁾ | 16.1 | °C/W |
| $R_{\theta JMA}$ | Junction-to-ambient natural convection (Four-layer board—2s2p) ⁽¹⁾⁽³⁾ | 12.0 | °C/W |
| $R_{\theta JMA}$ | Junction-to-ambient (at 200 ft/min) (Single-layer board—1s) ⁽¹⁾⁽³⁾ | 11.6 | °C/W |
| $R_{\theta JMA}$ | Junction-to-ambient (at 200 ft/min)(Four layer board—2s2p) ⁽¹⁾⁽³⁾ | 9.0 | °C/W |
| $R_{\theta JB}$ | Junction-to-Board ⁽⁴⁾ | 4.8 | °C/W |
| $R_{\theta JC}$ | Junction-to-Case ⁽⁵⁾ | 1.8 | °C/W |
| Ψ_{JT} | Junction-to-package top (natural convection) ⁽⁶⁾ | 1.0 | °C/W |

- Notes:
1. Junction temperature is a function of die size, on-chip power dissipation, package thermal resistance, mounting site (board) temperature, ambient temperature, airflow, power dissipation of other components on the board, and board thermal resistance.
 2. Per SEMI G38-87 and JEDEC JESD51-2 with the single-layer board horizontal.
 3. Per JEDEC JESD51-6 with the board horizontal.
 4. Thermal resistance between the die and the printed-circuit board per JEDEC JESD51-8. Board temperature is measured on the top surface of the board near the package.
 5. Thermal resistance between the die and the case top surface as measured by the cold plate method (MIL SPEC-883 Method 1012.1) with the cold plate used for case temperature.
 6. Thermal characterization parameter indicating the temperature difference between package top and the junction temperature per JEDEC JESD51-2. When Greek letters are not available, the thermal characterization parameter is written as Psi-JT.

Thermal Management Information

This section provides thermal management information for the tape ball grid array (TBGA) package for air-cooled applications. Depending on the application environment and the operating frequency, heat sinks may be required to maintain junction temperature within specifications. Proper thermal control design is primarily dependent upon the system-level design: the heat sink, airflow, and thermal interface material. To reduce the die-junction temperature, heat sinks may be attached to the package by several methods: adhesive, spring clip to holes in the printed-circuit board or package, or mounting clip and screw assembly; see Figure 4.

Figure 4. Package Exploded Cross-Sectional View with Several Heat Sink Options

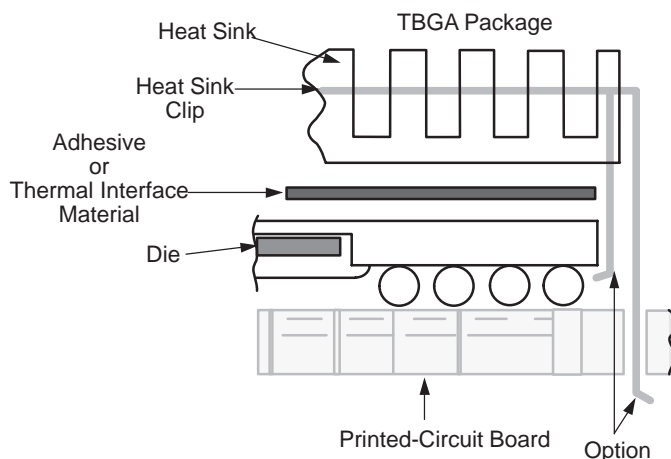
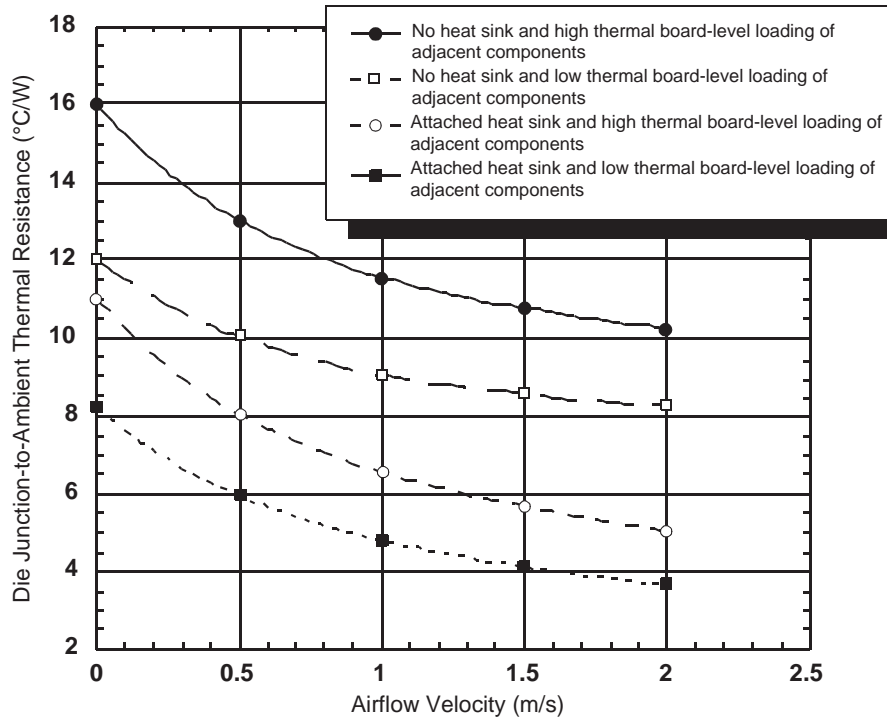


Figure 5 depicts the die junction-to-ambient thermal resistance for four typical cases:

- A heat sink is not attached to the TBGA package and there exists a high board-level thermal loading from adjacent components.
- A heat sink is not attached to the TBGA package and there exists a low board-level thermal loading from adjacent components.
- A heat sink (for example, ChipCoolers #HTS255-P) is attached to the TBGA package and there exists high board-level thermal loading from adjacent components.
- A heat sink (for example, ChipCoolers #HTS255-P) is attached to the TBGA package and there exists low board-level thermal loading from adjacent components.

Figure 5. Die Junction-to-Ambient Resistance



The board designer can choose between several types of heat sinks to place on the PC8245. There are several commercially available heat sinks for the PC8245 provided by the following vendors:

Aavid Thermalloy 603-224-9988
80 Commercial St.
Concord, NH 03301
Internet: www.aavidthermalloy.com

Alpha Novatech 408-749-7601
473 Sapena Ct. #15
Santa Clara, CA 95054
Internet: www.alphanovatech.com

The Bergquist Company 800-347-4572
18930 West 78th St.
Chanhassen, MN 55317
Internet: www.bergquistcompany.com

International Electronic Research Corporation (IERC) 818-842-7277
413 North Moss St.
Burbank, CA 91502
Internet: www.ctscorp.com

Tyco Electronics 800-522-6752
Chip Coolers™
P.O. Box 3668
Harrisburg, PA 17105-3668
Internet: www.chipcoolers.com

Wakefield Engineering 603-635-5102
33 Bridge St.
Pelham, NH 03076
Internet: www.wakefield.com

Ultimately, the final selection of an appropriate heat sink depends on many factors, such as thermal performance at a given air velocity, spatial volume, mass, attachment method, assembly, and cost. Other heat sinks offered by Aavid Thermalloy, Alpha Novatech, The Bergquist Company, IERC, Chip Coolers, and Wakefield Engineering offer different heat sink-to-ambient thermal resistances, and may or may not need airflow.

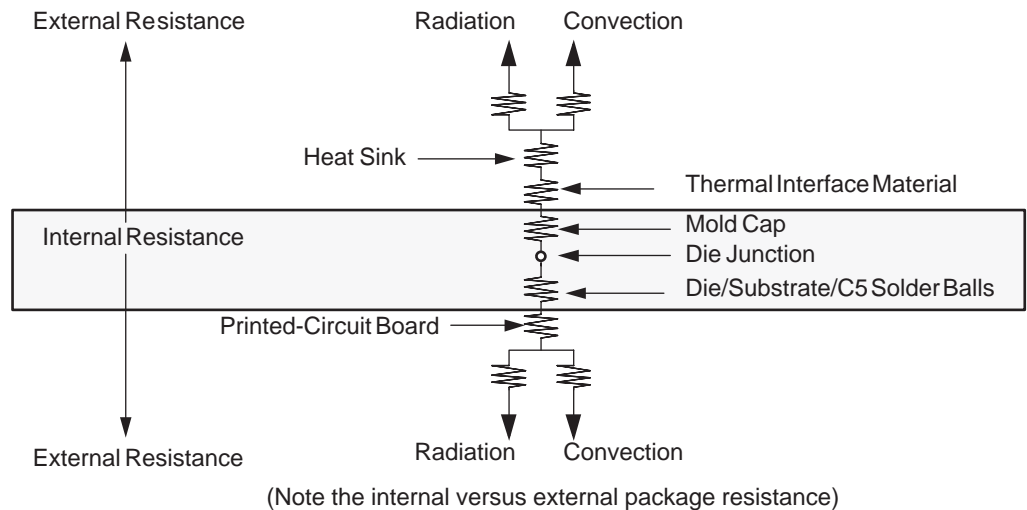
Internal Package Conduction Resistance

For the TBGA, cavity down, packaging technology, shown in Figure 6, the intrinsic conduction thermal resistance paths are as follows:

- the die junction-to-case thermal resistance,
- the die junction-to-ball thermal resistance.

Figure 6 depicts the primary heat transfer path for a package with an attached heat sink mounted to a printed-circuit board.

Figure 6. TBGA Package with Heat Sink Mounted to a Printed-Circuit Board



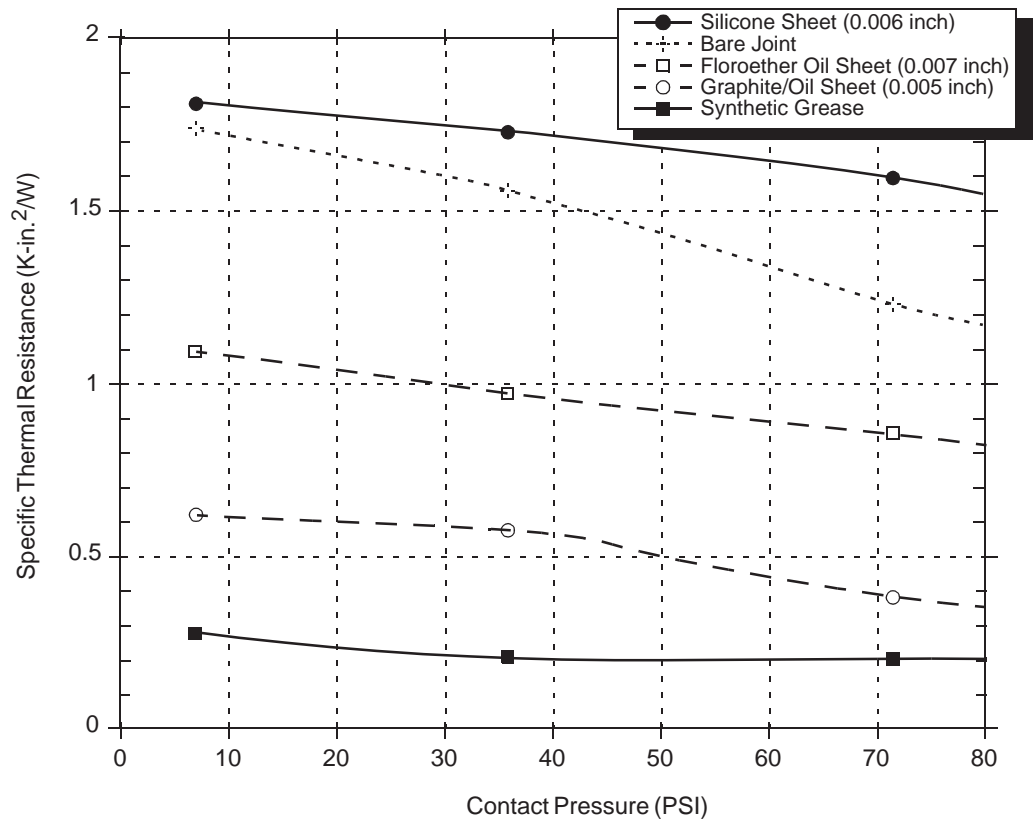
For this die-up, wire-bond TBGA package, heat generated on the active side of the chip is conducted mainly through the mold cap, the heat sink attach material (or thermal interface material), and finally through the heat sink where it is removed by forced-air convection.

Adhesives and Thermal Interface Materials

A thermal interface material is recommended between the top of the mold cap and the bottom of the heat sink to minimize the thermal contact resistance. For those applications where the heat sink is attached by spring clip mechanism, Figure 7 shows the thermal performance of three thin-sheet thermal-interface materials (silicone, graphite/oil, fluoroether oil), a bare joint, and a joint with thermal grease as a function of contact pressure. As shown, the performance of these thermal interface materials improves with increasing contact pressure. The use of thermal grease significantly reduces the interface thermal resistance. That is, the bare joint results in a thermal resistance approximately seven times greater than the thermal grease joint.

Heat sinks are attached to the package by means of a spring clip to holes in the printed-circuit board (see Figure 7). Therefore, the synthetic grease offers the best thermal performance, considering the low interface pressure. Of course, the selection of any thermal interface material depends on many factors: thermal performance requirements, manufacturability, service temperature, dielectric properties, cost, etc.

Figure 7. Thermal Performance of Select Thermal Interface Material



The board designer can choose between several types of thermal interface. Heat sink adhesive materials should be selected based upon high conductivity, yet adequate mechanical strength to meet equipment shock/vibration requirements. There are several commercially-available thermal interfaces and adhesive materials provided by the following vendors:

Chomerics, Inc. 781-935-4850
 77 Dragon Ct.
 Woburn, MA 01888-4014
 Internet: www.chomerics.com

Dow-Corning Corporation 800-248-2481
 Dow-Corning Electronic Materials
 2200 W. Salzburg Rd.
 Midland, MI 48686-0997
 Internet: www.dow.com

Shin-Etsu MicroSi, Inc. 888-642-7674
 10028 S. 51st St.
 Phoenix, AZ 85044
 Internet: www.microsi.com

Thermagon Inc. 888-246-9050
 4707 Detroit Ave.
 Cleveland, OH 44102
 Internet: www.thermagon.com

Heat Sink Usage

An estimation of the chip junction temperature, T_J , can be obtained from the equation:

$$T_J = T_A + (R_{\theta JA} \times P_D)$$

where

- T_A = ambient temperature for the package ($^{\circ}\text{C}$)
- $R_{\theta JA}$ = junction-to-ambient thermal resistance ($^{\circ}\text{C}/\text{W}$)
- P_D = power dissipation in the package (W)

The junction-to-ambient thermal resistance is an industry-standard value that provides a quick and easy estimation of thermal performance. Unfortunately, two values are in common usage: the value determined on a single layer board and the value obtained on a board with two planes. For packages such as the TBGA, these values can be different by a factor of two. Which value is closer to the application depends on the power dissipated by other components on the board. The value obtained on a single layer board is appropriate for the tightly packed printed-circuit board. The value obtained on the board with the internal planes is usually appropriate if the board has low power dissipation and the components are well separated.

When a heat sink is used, the thermal resistance is expressed as the sum of a junction-to-case thermal resistance and a case-to-ambient thermal resistance:

$$R_{\theta JA} = R_{\theta JC} + R_{\theta CA}$$

where

- $R_{\theta JA}$ = junction-to-ambient thermal resistance ($^{\circ}\text{C}/\text{W}$)
- $R_{\theta JC}$ = junction-to-case thermal resistance ($^{\circ}\text{C}/\text{W}$)
- $R_{\theta CA}$ = case-to-ambient thermal resistance ($^{\circ}\text{C}/\text{W}$)

$R_{\theta JC}$ is device-related and cannot be influenced by the user. The user controls the thermal environment to change the case-to-ambient thermal resistance, $R_{\theta CA}$. For instance, the user can change the size of the heat sink, the air flow around the device, the interface material, the mounting arrangement on the printed-circuit board, or the thermal dissipation on the printed-circuit board surrounding the device.

To determine the junction temperature of the device in the application when heat sinks are not used, the thermal characterization parameter (θ_{JT}) can be used to determine the junction temperature with a measurement of the temperature at the top center of the package case using the following equation:

$$T_J = T_T + (\theta_{JT} \times P_D)$$

where:

T_T = thermocouple temperature atop the package ($^{\circ}\text{C}$)

θ_{JT} = thermal characterization parameter ($^{\circ}\text{C}/\text{W}$)

P_D = power dissipation in package (W)

The thermal characterization parameter is measured per JESD51-2 specification using a 40-gauge type T thermocouple epoxied to the top center of the package case. The thermocouple should be positioned so that the thermocouple junction rests on the package. A small amount of epoxy is placed over the thermocouple junction and over about 1 mm of wire extending from the junction. The thermocouple wire is placed flat against the package case to avoid measurement errors caused by cooling effects of the thermocouple wire.

When a heat sink is used, the junction temperature is determined from a thermocouple inserted at the interface between the case of the package and the interface material. A clearance slot or hole is normally required in the heat sink. Minimizing the size of the clearance is important to minimize the change in thermal performance caused by removing part of the thermal interface to the heat sink. Because of the experimental difficulties with this technique, many engineers measure the heat sink temperature and then back calculate the case temperature using a separate measurement of the thermal resistance of the interface.

From this case temperature, the junction temperature is determined from the junction-to-case thermal resistance.

In many cases, it is appropriate to simulate the system environment using a computational fluid dynamics thermal simulation tool. In such a tool, the simplest thermal model of a package which has demonstrated reasonable accuracy (about 20%) is a two-resistor model consisting of a junction-to-board and a junction-to-case thermal resistance. The junction-to-case covers the situation where a heat sink will be used or where a substantial amount of heat is dissipated from the top of the package. The junction-to-board thermal resistance describes the thermal performance when most of the heat is conducted to the printed-circuit board.

References

Semiconductor Equipment and Materials International
805 East Middlefield Rd.
Mountain View, CA 94043
(415) 964-5111

MIL-SPEC and EIA/JESD (JEDEC) specifications are available from Global Engineering Documents at 800-854-7179 or 303-397-7956.

JEDEC specifications are available on the WEB at <http://www.jedec.org>.



Power Characteristics

Table 3 provides power consumption data for the PC8245.

Table 3. Power Consumption

| Mode | PCI Bus Clock/Memory Bus Clock CPU Clock Frequency (MHz) | | | | | | Unit | Notes |
|-----------|---|--------------|--------------|--------------|-----------|------------|------|-----------|
| | 66/66/266 | 66/133/266 | 66/66/300 | 66/100/300 | 33/83/333 | 66/133/333 | | |
| Typical | 1.7 (1.5) | 2.0 (1.8) | 1.8 (1.7) | 2.0 (1.8) | 2.0 | 2.3 | W | (1)(5) |
| Max – FP | 2.2 (1.9) | 2.4 (2.1) | 2.3 (2.)) | 2.5 (2.2) | 2.6 | 2.8 | W | (1)(2) |
| Max – INT | 1.8 (1.6) | 2.1 (1.8) | 2.0 (1.8) | 2.1 (1.8) | 2.2 | 2.4 | W | (1)(3) |
| Doze | 1.1 (1.0) | 1.4 (1.3) | 1.2 (1.1) | 1.4 (1.3) | 1.4 | 1.6 | W | (1)(4)(6) |
| Nap | 0.4 (0.4) | 0.7 (0.7) | 0.4 (0.4) | 0.6 (0.6) | 0.5 | 0.7 | W | (1)(4)(6) |
| Sleep | 0.2 (0.2) | 0.4 (0.4) | 0.2 (0.4) | 0.3 (0.3) | 0.3 | 0.4 | W | (1)(4)(6) |

| I/O Power Supplies ⁽¹⁰⁾ | | | | | | |
|------------------------------------|-----------|--|-----------|--|------|--------|
| Mode | Minimum | | Maximum | | Unit | Notes |
| Typ – OV _{DD} | 134 (121) | | 334 (301) | | mW | (7)(8) |
| Typ – GV _{DD} | 324 (292) | | 800 (720) | | mW | (7)(9) |

- Notes:
1. The values include V_{DD}, AV_{DD}, and AV_{DD2} but do not include I/O supply power, see Section “Power Supply Sizing” on page 49, for information on OV_{DD} and GV_{DD} supply power. Values shown in parenthesis () indicate power consumption at V_{DD}/AV_{DD}/AV_{DD2} = 1.8V
 2. Maximum – FP power is measured at V_{DD} = 2.1V with dynamic power management enabled while running an entirely cache-resident, looping, floating-point multiplication instruction.
 3. Maximum – INT power is measured at V_{DD} = 2.1V with dynamic power management enabled while running entirely cache-resident, looping, integer instructions.
 4. Power saving mode maximums are measured at V_{DD} = 2.1V while the device is in doze, nap, or sleep mode.
 5. Typical power is measured at V_{DD} = AV_{DD} = 2.0V, OV_{DD} = 3.3V where a nominal FP value, a nominal INT value, and a value where there is a continuous flush of cache lines with alternating ones and zeros on 64-bit boundaries to local memory are averaged.
 6. Power saving mode data measured with only two PCI_CLKs and two SDRAM_CLKs enabled
 7. The typical minimum I/O power values were results of the PC8245 performing cache resident integer operations at the slowest frequency combination of 33:66:200 (PCI:Mem:CPU) MHz
 8. The typical maximum OV_{DD} value resulted from the PC8245 operating at the fastest frequency combination of 66:100:350 (PCI:Mem:CPU) MHz and performing continuous flushes of cache lines with alternating ones and zeros to PCI memory.
 9. The typical maximum GV_{DD} value resulted from the PC8245 operating at the fastest frequency combination of 66:100:350 (PCI:Mem:CPU) MHz and performing continuous flushes of cache lines with alternating ones and zeros on 64-bit boundaries to local memory.
 10. Power consumption of PLL supply pins (AV_{DD} and AV_{DD2}) < 15 mW. Guaranteed by design and is not tested.

DC Electrical Characteristics

Static Characteristics

Table 4 provides the DC electrical characteristics for the PC8245 at recommended operating conditions (see Table “Recommended Operating Conditions” on page 12).

Table 4. DC Electrical Specifications

| Characteristics | Conditions ⁽³⁾ | Symbol | Value | | Unit |
|--|--|-----------|-----------------------|----------------------|---------|
| | | | Min | Max | |
| Input High Voltage ⁽¹⁾ | PCI only | V_{IH} | $0.65 \times OV_{DD}$ | LV_{DD} | V |
| Input Low Voltage | PCI only | V_{IL} | – | $0.3 \times OV_{DD}$ | V |
| Input High Voltage | All other pins ($GV_{DD} = 3.3V$) | V_{IH} | 2.0 | 3.3 | V |
| Input Low Voltage | All inputs except PC_SYNC_IN | V_{IL} | GND | 0.8 | V |
| PCI_SYNC_IN Input High Voltage | | CV_{IH} | 2.4 | – | V |
| PCI_SYNC_IN Input Low Voltage | | CV_{IL} | GND | 0.4 | V |
| Input Leakage Current ⁽⁴⁾ for pins using DRV_PCI driver | $0.5V \leq V_{IN} \leq 2.7V$ at $LV_{DD} = 4.75$ | I_L | – | ± 70 | μA |
| Input Leakage Current ⁽⁴⁾ All others | $LV_{DD} = 3.6V$ $GV_{DD} \leq 3.465$ | I_L | – | ± 10 | μA |
| Output High Voltage | $I_{OH} = \text{Driver Dependent}^{(2)}$ ($GV_{DD} = 3.3V$) | V_{OH} | 2.4 | – | V |
| Output Low Voltage | $I_{OL} = \text{Driver Dependent}^{(2)}$ ($GV_{DD} = 3.3V$) | V_{OL} | – | 0.4 | V |
| Capacitance ⁽²⁾ | $V_{IN} = 0V, f = 1 \text{ MHz}$ | C_{IN} | – | 7.0 | pF |

- Notes:
1. See Table 1 on page 6 for pins with internal pull-up resistors.
 2. See Table 5 on page 24 for the typical drive capability of a specific signal pin based on the type of output driver associated with that pin as listed in Table 1 on page 6.
 3. These specifications are for the default driver strengths indicated in Table 5 on page 24.
 4. Leakage current is measured on input and output pins in the high-impedance state. The leakage current is measured for nominal OV_{DD}/LV_{DD} and V_{DD} or both OV_{DD}/LV_{DD} and V_{DD} must vary in the same direction.

Output Driver Characteristic

Table 5 on page 24 provides information on the characteristics of the output drivers referenced in Table 1 on page 6. The values are preliminary estimates from an IBIS model and are not tested.

Table 5. Drive Capability of PC8245 Output Pins⁽⁵⁾

| Driver Type | Programmable Output Impedance (Ω) | Supply Voltage (V) | I_{OH} | I_{OL} | Unit | Notes | |
|--------------|--|--------------------|------------------|----------|------|-----------|--------|
| DRV_STD_MEM | 20 | $OV_{DD} = 3.3V$ | 36.6 | 18.0 | mA | (2)(4)(6) | |
| | 40 (default) | | 18.6 | 9.2 | mA | (2)(4)(6) | |
| DRV_PCI | 20 | | 12.0 | 12.4 | mA | (1)(3) | |
| | 40 (default) | | 6.1 | 6.3 | mA | (1)(3) | |
| DRV_MEM_CTRL | 6 (default) | | $GV_{DD} = 3.3V$ | 89.0 | 42.3 | mA | (2)(4) |
| DRV_PCI_CLK | 20 | | | 36.6 | 18.0 | mA | (2)(4) |
| DRV_MEM_CLK | 40 | 18.6 | | 9.2 | mA | (2)(4) | |

- Notes:
1. For DRV_PCI, I_{OH} read from the IBIS listing in the pull-up mode, I(Min) column, at the 0.33V label by interpolating between the 0.3V and 0.4V table entries' current values which corresponds to the PCI $V_{OH} = 2.97 = 0.9 \times OV_{DD}$ ($OV_{DD} = 3.3V$) where table entry voltage = $OV_{DD} - PCI V_{OH}$.
 2. For all others with GV_{DD} or $OV_{DD} = 3.3V$, I_{OH} read from the IBIS listing in the pull-up mode, I(Min) column, at the 0.9V table entry which corresponds to the $V_{OH} = 2.4V$ where table entry voltage = $GV_{DD}/OV_{DD} - V_{OH}$.
 3. For DRV_PCI, I_{OL} read from the IBIS listing in the pull-down mode, I(Min) column, at $0.33V = PCI V_{OL} = 0 \times OV_{DD}$ ($OV_{DD} = 3.3V$) by interpolating between the 0.3V and 0.4V table entries.
 4. For all others with GV_{DD} or $OV_{DD} = 3.3V$, I_{OL} read from the IBIS listing in the pull-down mode, I(Min) column, at the 0.4V table entry.
 5. See driver bit details for output driver control register (0x72) in the "MPC8245 Integrated Processor User's Manual".
 6. See Chip Errata No. 19 in the PC8245/PC8241 RISC Microprocessor Chip Errata's Motorola.

AC Electrical Characteristics

This section provides the AC electrical characteristics for the PC8245. After fabrication, functional parts are sorted by maximum processor core frequency as shown in Table 6 and tested for conformance to the AC specifications for that frequency. The processor core frequency is determined by the bus (PCI_SYNC_IN) clock frequency and the settings of the PLL_CFG[0:4] signals. Parts are sold by maximum processor core frequency. See "Ordering Information" on page 56.

Table 7 provides the operating frequency information for the PC8245 at recommended operating conditions (see Table "Recommended Operating Conditions" on page 12) with $LV_{DD} = 3.3V \pm 0.3V$.

Table 6. Operating Frequency

| Characteristic ⁽²⁾ | 266 MHz | 300 MHz | 333 MHz | 350 MHz | Unit |
|-------------------------------|--|-------------------------|--|-------------------------|------|
| | $V_{DD}/AV_{DD}/AV_{DD2} = 2.0 \pm 100 \text{ mV}$ | | $V_{DD}/AV_{DD}/AV_{DD2} = 2.0 \pm 100 \text{ mV}$ | | |
| Processor Frequency (CPU) | 100 – 266 | 100 – 300 | 100 – 333 | 100 – 350 | MHz |
| Memory Bus Frequency | 50 – 133 | 50 – 100 ⁽³⁾ | 50 – 133 | 50 – 100 ⁽³⁾ | MHz |
| PCI Input Frequency | 25 – 66 | | | | MHz |

- Notes: 1. Caution: The PCI_SYNC_IN frequency and PLL_CFG[0:4] settings must be chosen such that the resulting peripheral logic/memory bus frequency and CPU (core) frequencies do not exceed their respective maximum or minimum operating frequencies. Refer to the PLL_CFG[0:4] signal description in Section “PLL Configuration” on page 45 for valid PLL_CFG[0:4] settings and PCI_SYNC_IN frequencies.
2. See Table 16 on page 45 and Table 17 on page 47 for more details on VCO limitations for memory and CPU VCO frequencies of various PLL configurations.
3. There are no available PLL_CFG[0:4] settings which support 133 MHz memory interface operation at 300 MHz CPU and at 350 MHz operation, since the multipliers do not allow a 300:133 and 350:133 ratio relation. However, running these parts at slower speeds may produce ratios that will run above 100 MHz. See Table 16 on page 45 for the PLL settings.

Clock AC Specifications

Table 7 provides the Clock AC timing specifications at recommended operating conditions, as defined in Section “Input AC Timing Specifications” on page 31. These specifications are for the default driver strengths indicated in Table 5 on page 24.

At recommended operating conditions (see Table “Recommended Operating Conditions” on page 12) with $V_{DD} = 3.3V \pm 0.3V$

Table 7. Clock AC Timing Specifications

| Num | Characteristics and Conditions | Min | Max | Unit | Notes |
|------|---|--|-----|------|-----------|
| 1a | Frequency of Operation (PCI_SYNC_IN) | 25 | 66 | MHz | |
| 2, 3 | PCI_SYNC_IN Rise and Fall Times | – | 2.0 | ns | (1) |
| 4 | PCI_SYNC_IN Duty Cycle Measured at 1.4V | 40 | 60 | % | |
| 5a | PCI_SYNC_IN Pulse Width High Measured at 1.4V | 6 | 9 | ns | (2) |
| 5b | PCI_SYNC_IN Pulse Width Low Measured at 1.4V | 6 | 9 | ns | (2) |
| 7 | PCI_SYNC_IN Jitter | – | 150 | ps | |
| 8a | PCI_CLK[0:4] Skew (Pin-to-Pin) | – | 250 | ps | |
| 8b | SDRAM_CLK[0:3] Skew (Pin-to-Pin) | – | 190 | ps | (3) |
| 10 | Internal PLL Relock Time | – | 100 | µs | (2)(4)(5) |
| 15 | DLL Lock Range with DLL_EXTEND = 0 Disabled (Default) | $(N \times T_{CLK} - T_{dp(max)}) \leq T_{loop} \leq (N \times T_{CLK} - T_{dp(min)})$ | | ns | (6) |
| 16 | DLL Lock Range with DLL_EXTEND = 1 Enabled | $((N - 0.5) \times T_{CLK} - T_{dp(max)}) \leq T_{loop} \leq ((N - 0.5) \times T_{CLK} - T_{dp(min)})$ | | ns | (6) |
| 17 | Frequency of Operation (OSC_IN) | 25 | 66 | MHz | |
| 19 | OSC_IN Rise and Fall Times | – | 5 | ns | (7) |
| 20 | OSC_IN Duty Cycle Measured at 1.4V | 40 | 60 | % | |
| 21 | OSC_IN Frequency Stability | – | 100 | ppm | |

- Notes: 1. Rise and fall times for the PCI_SYNC_IN input are measured from 0.4 to 2.4V.



2. Specification value at maximum frequency of operation.
3. Pin-to-pin skew includes quantifying the additional amount of clock skew (or jitter) from the DLL besides any intentional skew added to the clocking signals from the variable length DLL synchronization feedback loop, that is, the amount of variance between the internal `sys_logic_clk` and the `SDRAM_SYNC_IN` signal after the DLL is locked. While pin-to-pin skew between `SDRAM_CLKs` can be measured, the relationship between the internal `sys_logic_clk` and the external `SDRAM_SYNC_IN` cannot be measured and is guaranteed by design.
4. Relock time is guaranteed by design and characterization. Relock time is not tested.
5. Relock timing is guaranteed by design. PLL-relock time is the maximum amount of time required for PLL lock after a stable V_{DD} and `PCI_SYNC_IN` are reached during the reset sequence. This specification also applies when the PLL has been disabled and subsequently re-enabled during sleep mode. Also note that `HRST_CPU/HRST_CTRL` must be held asserted for a minimum of 255 bus clocks after the PLL-relock time during the reset sequence.
6. `DLL_EXTEND` is bit 7 of the `PMC2` register `<72>`. N is a non-zero integer (1 or 2). T_{CLK} is the period of one `SDRAM_SYNC_OUT` clock cycle in ns. T_{loop} is the propagation delay of the DLL synchronization feedback loop (PC board runner) from `SDRAM_SYNC_OUT` to `SDRAM_SYNC_IN` in ns; 6.25 inches of loop length (unloaded PC board runner) corresponds to approximately 1 ns of delay. T_{fix0} is a fixed delay inherent in the design when the DLL is at tap point 0 and the DLL is contributing no delay; T_{fix0} equals approximately 3 ns. See Figure 9 through Figure 12 for DLL locking ranges.
7. Rise and fall times for the `OSC_IN` input is guaranteed by design and characterization. `OSC_IN` input rise and fall times are not tested.

Figure 8. PCI_SYNC-IN Input Clock Timing Diagram

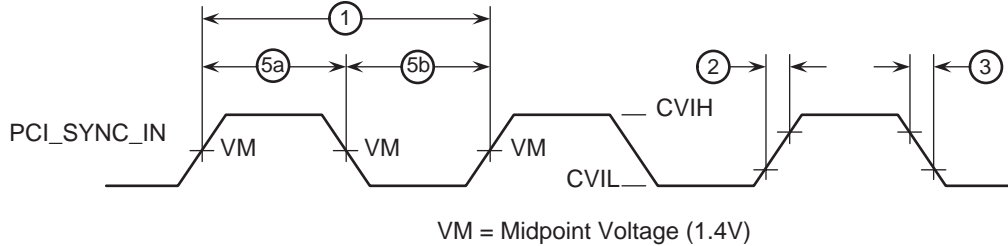


Table 8. $T_{dp}(\max)$ and $T_{dp}(\min)$

| Mode | $T_{dp}(\min)$ | $T_{dp}(\max)$ | Unit |
|--|----------------|----------------|------|
| Normal tap delay: Bit 2 (<code>DLL_MAX_DELAY</code>) at offset 0 x 76 is cleared | 7.58 | 12.97 | ns |
| Maximum tap delay: Bit 2 (<code>DLL_MAX_DELAY</code>) at offset 0 x 76 is set | 8.28 | 17.57 | ns |

Figure 9 through Figure 12 show the DLL locking range loop delay vs. frequency of operation. These graphs define the areas of DLL locking for various modes. The grey areas represent where the DLL will lock.

Note also that the `DLL_MAX_DELAY` bit can lengthen the amount of time through the delay line. This is accomplished by increasing the time between each of the 128 tap points in the delay line. Although this increased time makes it easier to guarantee that the reference clock will be within the DLL lock range, it also means there may be slightly more jitter in the output clock of the DLL, should the phase comparator shift the clock between adjacent tap points.

Figure 9. DLL Locking Range Loop Delay vs. Frequency of Operation for DLL_Extend = 1 and Normal Tap Delay

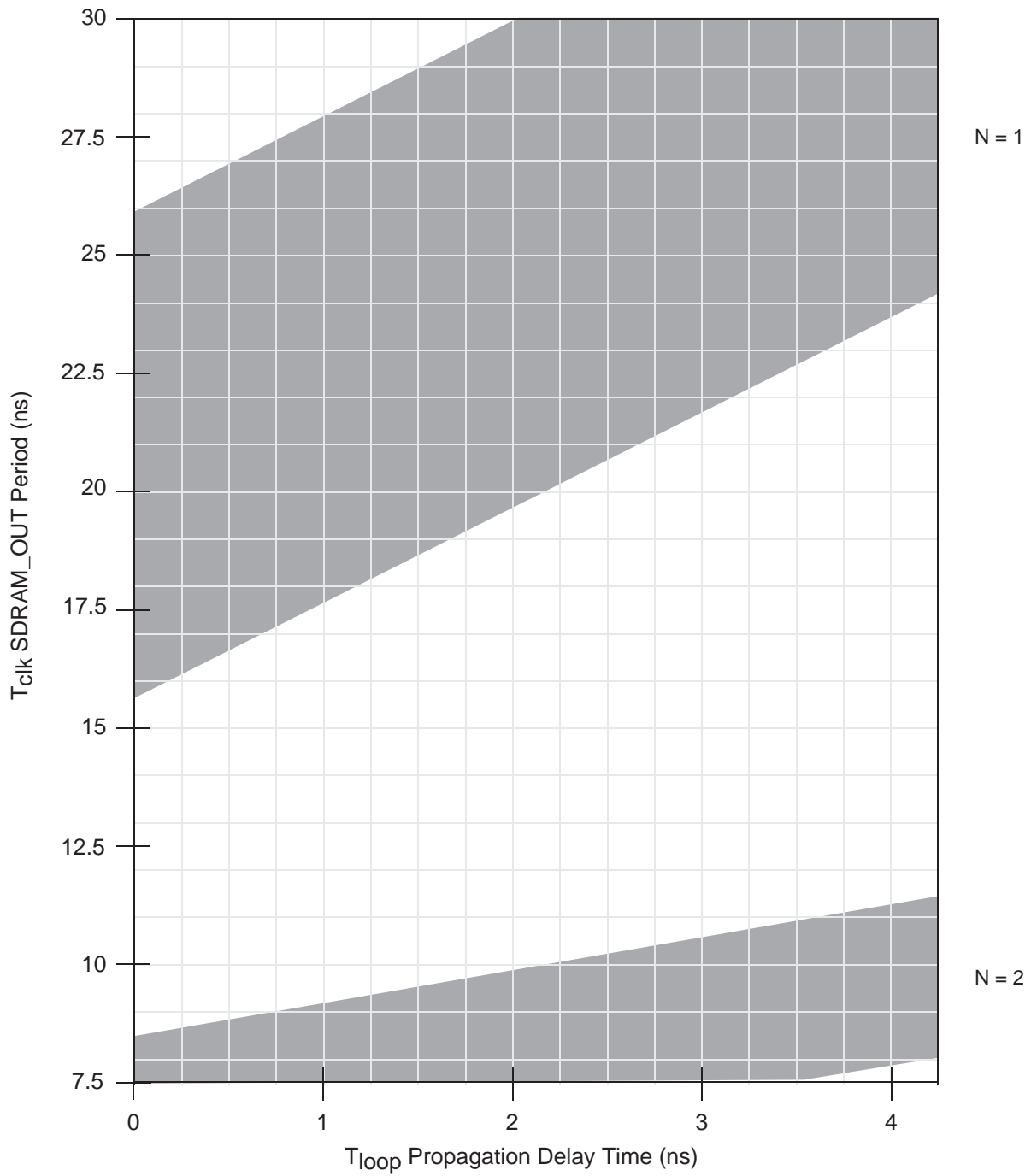


Figure 10. DLL Locking Range Loop Delay vs. Frequency of Operation for DLL_Extend = 1 and Tap Max Delay

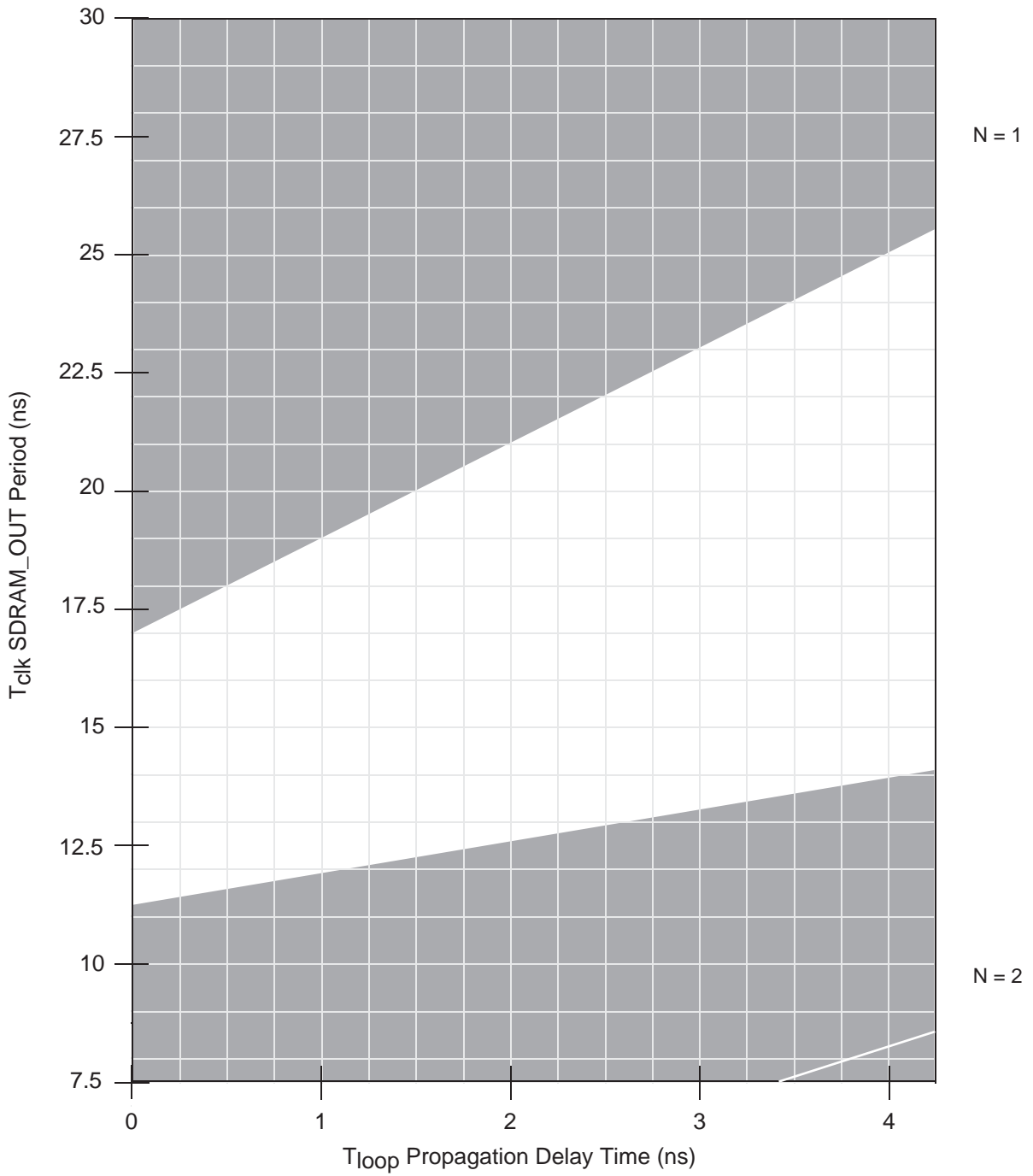


Figure 11. DLL Locking Range Loop Delay vs. Frequency of Operation for DLL_Extend = 0 and Normal Tap Delay

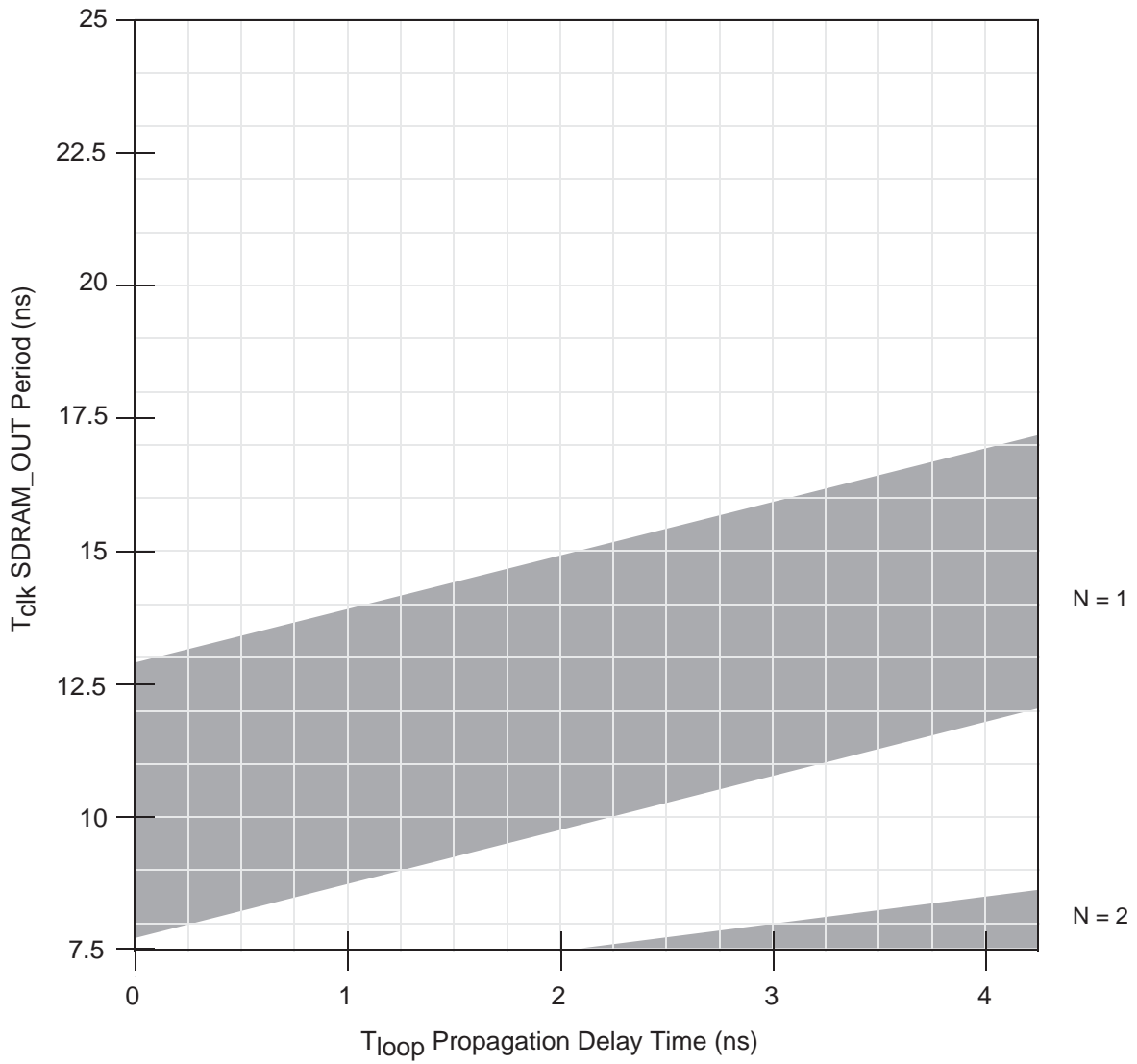
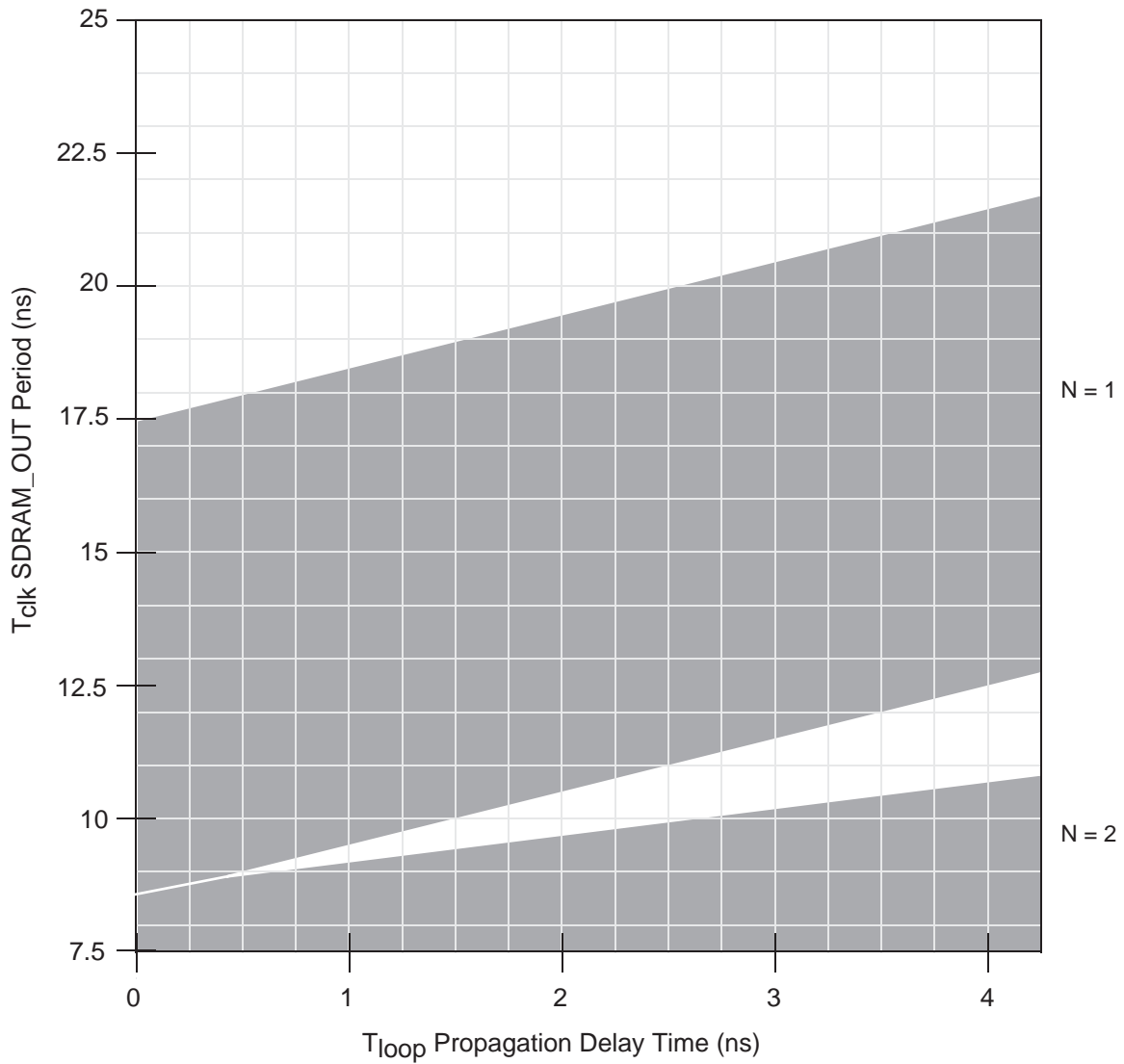


Figure 12. DLL Locking Range Loop Delay vs. Frequency of Operation for DLL_Extend = 0 and Normal Tap Delay



Input AC Timing Specifications

Table 9 provides the input AC timing specifications at recommended operating conditions (see Table “Recommended Operating Conditions” on page 12) with $V_{DD} = 3.3V \pm 0.3V$. See Figure 13 and Figure 14.

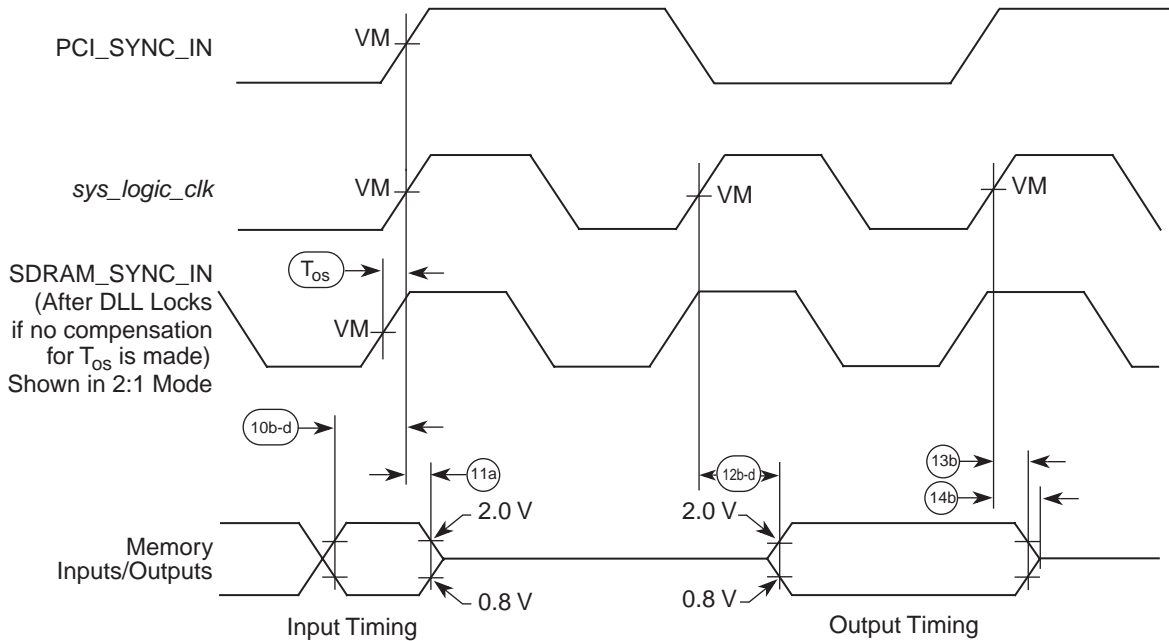
Table 9. Input AC Timing Specifications

| Num | Characteristic | Min | Max | Unit | Notes |
|------|---|---------------------------|-----|------|--------------|
| 10a | PCI Input Signals Valid to PCI_SYNC_IN (Input Setup) | 3.0 | – | ns | (1)(3) |
| 10b | Memory Input Signals Valid to SDRAM_SYNC_IN (Input Setup) | | | | |
| 10b0 | Tap 0, Register Offset <0x77>, Bits 5:4 = 0b10 | 2.6 | – | ns | (2)(3)(6) |
| 10b1 | Tap 1, Register Offset <0x77>, Bits 5:4 = 0b11 | 1.9 | – | | |
| 10b2 | Tap 2, Register Offset <0x77>, Bits 5:4 = 0b00 (Default) | 1.2 | – | | |
| 10b3 | Tap 3, Register Offset <0x77>, Bits 5:4 = 0b01 | 0.5 | – | | |
| 10c | Epic, Misc. Debug Input Signals Valid to SDRAM_SYNC_IN (Input Setup) | 3.0 | – | ns | (2)(3) |
| 10d | Two-wire interface Input Signals Valid to SDRAM_SYNC_IN (Input Setup) | 3.0 | – | ns | (2)(3) |
| 10e | Mode Select Inputs Valid to $\overline{\text{HRST_CPU/HRST_CTRL}}$ (Input Setup) | $9 \times T_{\text{CLK}}$ | – | ns | (2)(3)(4)(5) |
| 11 | T_{os} – SDRAM_SYNC_IN to sys_logic_clk offset time | 0.65 | 1.0 | ns | (7) |
| 11a | SDRAM_SYNC_IN to Memory Signal Inputs Invalid (Input Hold) | | | | |
| 11a0 | Tap 0, Register Offset <0x77>, Bits 5:4 = 0b10 | 0 | – | ns | (2)(3)(6) |
| 11a1 | Tap 1, Register Offset <0x77>, Bits 5:4 = 0b11 | 0.7 | – | | |
| 11a2 | Tap 2, Register Offset <0x77>, Bits 5:4 = 0b00 (Default) | 1.4 | – | | |
| 11a3 | Tap 3, Register Offset <0x77>, Bits 5:4 = 0b01 | 2.1 | – | | |
| 11b | $\overline{\text{HRST_CPU/HRST_CTRL}}$ to Mode Select Inputs Invalid (Input Hold) | 0 | – | ns | (2)(3)(5) |
| 11c | PCI_SYNC_IN to Inputs Invalid (Input Hold) | 1.0 | – | ns | (1)(2)(3) |

- Notes:
- All PCI signals are measured from $OV_{DD}/2$ of the rising edge of PCI_SYNC_IN to $0.4 \times OV_{DD}$ of the signal in question for 3.3V PCI signaling levels. See Figure 14.
 - All memory and related interface input signal specifications are measured from the TTL level (0.8 or 2.0V) of the signal in question to the $VM = 1.4V$ of the rising edge of the memory bus clock, SDRAM_SYNC_IN. SDRAM_SYNC_IN is the same as PCI_SYNC_IN in 1:1 mode, but is twice the frequency in 2:1 mode (processor/memory bus clock rising edges occur on every rising and falling edge of PCI_SYNC_IN). See Figure 13.
 - Input timings are measured at the pin.
 - T_{CLK} is the time of one SDRAM_SYNC_IN clock cycle.
 - All mode select input signals specifications are measured from the TTL level (0.8 or 2.0V) of the signal in question to the $VM = 1.4V$ of the rising edge of the $\overline{\text{HRST_CPU/HRST_CTRL}}$ signal. See Figure 15.
 - The memory interface input setup and hold times are programmable to four possible combinations by programming bits 5:4 of register offset <0x77> to select the desired input setup and hold times.
 - T_{os} represents a timing adjustment for SDRAM_SYNC_IN with respect to sys_logic_clk. Due to the internal delay present on the SDRAM_SYNC_IN signal with respect to the sys_logic_clk inputs to the DLL, the resulting SDRAM clocks become offset by the delay amount. The feedback trace length of SDRAM_SYNC_OUT to SDRAM_SYNC_IN must be shortened by this amount relative to the SDRAM clock output trace lengths to maintain phase-alignment of the memory clocks with respect to sys_logic_clk. Note that the DLL locking range graphs of Figure 9 through Figure 12 compensate for T_{os} and there is no additional requirement to shorten T_{loop} by the duration of T_{os} . Refer to Motorola Application Note AN2164, MPC8245/MPC8241 Memory Clock Design Guidelines, for more details on accommodating for the problem of T_{os} and trace measurements in general.



Figure 13. Input – Output Timing Diagram Referenced to SDRAM_SYNC_IN



Notes:

VM = midpoint voltage (1.4V).

11a = input hold time of SDRAM_SYNC_IN to memory.

12b-d = SDRAM_SYNC_IN to output valid timing.

13b = output hold time for non-PCI signals.

14b = SDRAM_SYNC_IN to output high-impedance timing for non-PCI signals.

Tos = offset timing required to align sys_logic_clk with SDRAM_SYNC_IN. The SDRAM_SYNC_IN signal is adjusted by the DLL to accommodate for internal delay. This causes SDRAM_SYNC_IN to be seen before sys_logic_clk once the DLL locks, if no other accommodation is made for the delay.

10b-d = input signals valid timing.

Figure 14. Input – Output Timing Diagram Referenced to PCI_SYNC_IN

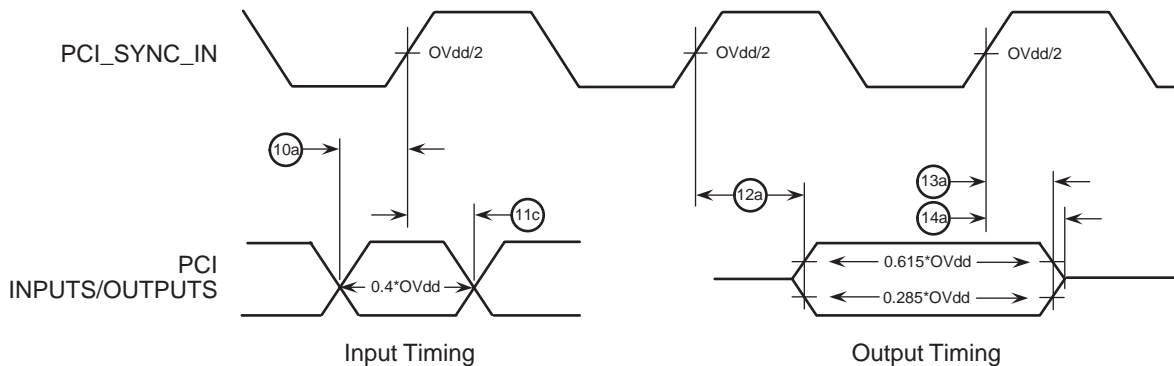
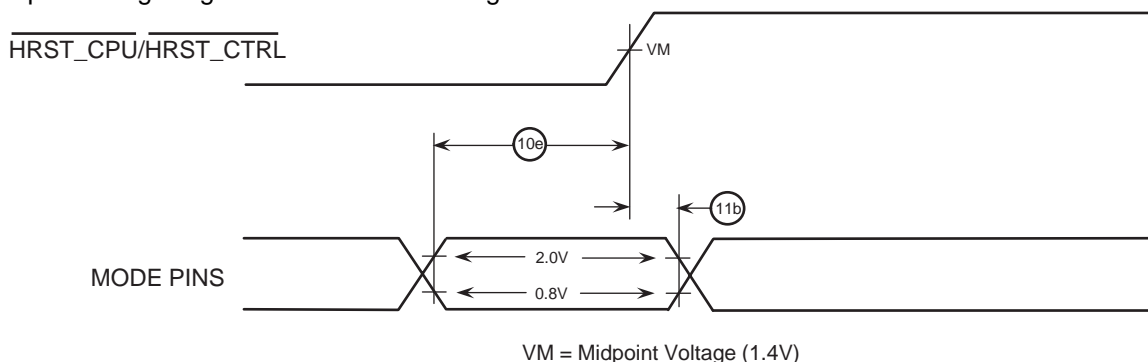


Figure 15. Input Timing Diagram for Mode Select Signals



Output AC Timing Specification

Table 10 provides the processor bus AC timing specifications for the PC8245 at recommended operating conditions (see Table “Recommended Operating Conditions” on page 12) with $V_{DD} = 3.3V \pm 0.3V$. See Figure 13 on page 32. All output timings assume a purely resistive 50Ω load (see Figure 16 on page 34). Output timings are measured at the pin; time-of-flight delays must be added for trace lengths, vias, and connectors in the system. These specifications are for the default driver strengths indicated in Table 5 on page 24.

Table 10. Output AC Timing Specifications

| Num | Characteristics | Min | Max | Unit | Notes |
|------|---|-----|------|------|-----------|
| 12a | PCI_SYNC_IN to Output Valid, see Figure 17 on page 35 | | | | |
| 12a0 | Tap 0, PCI_HOLD_DEL = 00, $[\overline{\text{MCP,CKE}}] = 11$, 66 MHz PCI (Default) | – | 6.0 | ns | (1)(3) |
| 12a1 | Tap 1, PCI_HOLD_DEL = 01, $[\overline{\text{MCP,CKE}}] = 10$ | – | 6.5 | | |
| 12a2 | Tap 2, PCI_HOLD_DEL = 10, $[\overline{\text{MCP,CKE}}] = 01$, 33 MHz PCI | – | 7.0 | | |
| 12a3 | Tap 3, PCI_HOLD_DEL = 11, $[\overline{\text{MCP,CKE}}] = 00$ | – | 7.5 | | |
| 12b | SDRAM_SYNC_IN to Output Valid (Memory Control and Data Signals) | – | 4.5 | ns | (2) |
| 12c | SDRAM_SYNC_IN to Output Valid (For All Others) | – | 7.0 | ns | (2) |
| 12d | SDRAM_SYNC_IN to Output Valid (For Two-wire interface) | – | 5.0 | ns | (2) |
| 12e | SDRAM_SYNC_IN to Output Valid (ROM/Flash/PortX) | – | 6.0 | ns | (2) |
| 13a | Output Hold (PCI), see Figure 17 | | | | |
| 13a0 | Tap 0, PCI_HOLD_DEL = 00, $[\overline{\text{MCP,CKE}}] = 11$, 66 MHz PCI (Default) | 2.0 | – | ns | (1)(3)(4) |
| 13a1 | Tap 1, PCI_HOLD_DEL = 01, $[\overline{\text{MCP,CKE}}] = 10$ | 2.5 | – | | |
| 13a2 | Tap 2, PCI_HOLD_DEL = 10, $[\overline{\text{MCP,CKE}}] = 01$, 33 MHz PCI | 3.0 | – | | |
| 13a3 | Tap 3, PCI_HOLD_DEL = 11, $[\overline{\text{MCP,CKE}}] = 00$ | 3.5 | – | | |
| 13b | Output Hold (All Others) | 1.0 | – | ns | (2) |
| 14a | PCI_SYNC_IN to Output High Impedance (For PCI) | – | 14.0 | ns | (1)(3) |
| 14b | SDRAM_SYNC_IN to Output High Impedance (For All Others) | – | 4.0 | ns | (2) |

- Notes:
1. All PCI signals are measured from $\frac{GV_{DD} - OV_{DD}}{2}$ of the rising edge of PCI_SYNC_IN to $0.285 \times OV_{DD}$ or $0.615 \times OV_{DD}$ of the signal in question for 3.3V PCI signaling levels. See Figure 14 on page 32.
 2. All memory and related interface output signal specifications are specified from the VM = 1.4V of the rising edge of the memory bus clock, SDRAM_SYNC_IN to the TTL level (0.8 or 2.0V) of the signal in question. SDRAM_SYNC_IN is the same as PCI_SYNC_IN in 1:1 mode, but is twice the frequency in 2:1 mode (processor/memory bus clock rising edges occur on every rising and falling edge of PCI_SYNC_IN). See Figure 13 on page 32.

3. PCI based signals are composed of the following signals: $\overline{\text{LOCK}}$, $\overline{\text{IRDY}}$, $\overline{\text{C/BE}}[3:0]$, $\overline{\text{PAR}}$, $\overline{\text{TRDY}}$, $\overline{\text{FRAME}}$, $\overline{\text{STOP}}$, $\overline{\text{DEVSEL}}$, $\overline{\text{PERR}}$, $\overline{\text{SERR}}$, $\text{AD}[31:0]$, $\overline{\text{REQ}}[4:0]$, $\overline{\text{GNT}}[4:0]$, $\overline{\text{IDSEL}}$, $\overline{\text{INTA}}$.
4. In order to meet minimum output hold specifications relative to PCI_SYNC_IN for both 33 and 66 MHz PCI systems, the PC8245 has a programmable output hold delay for PCI signals (the PCI_SYNC_IN to output valid timing is also affected). The initial value of the output hold delay is determined by the values on the $\overline{\text{MCP}}$ and CKE reset configuration signals; the values on these two signals are inverted then stored as the initial settings of $\text{PCI_HOLD_DEL} = \text{PMCR2}[5:4]$ (power management configuration register 2 <0x72>), respectively. Since $\overline{\text{MCP}}$ and CKE have internal pull-up resistors, the default value of PCI_HOLD_DEL after reset is 0b00. Further output hold delay values are available by programming the PCI_HOLD_DEL value of the PMCR2 configuration register. See Figure 17 on page 35.

Figure 16. AC Test Load for the PC8245

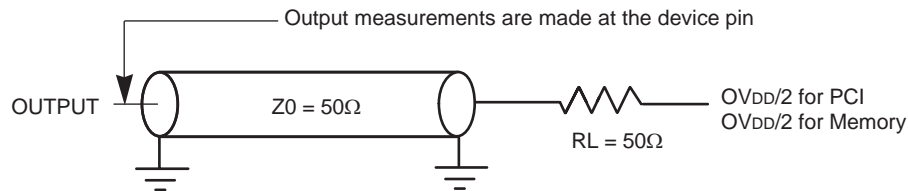
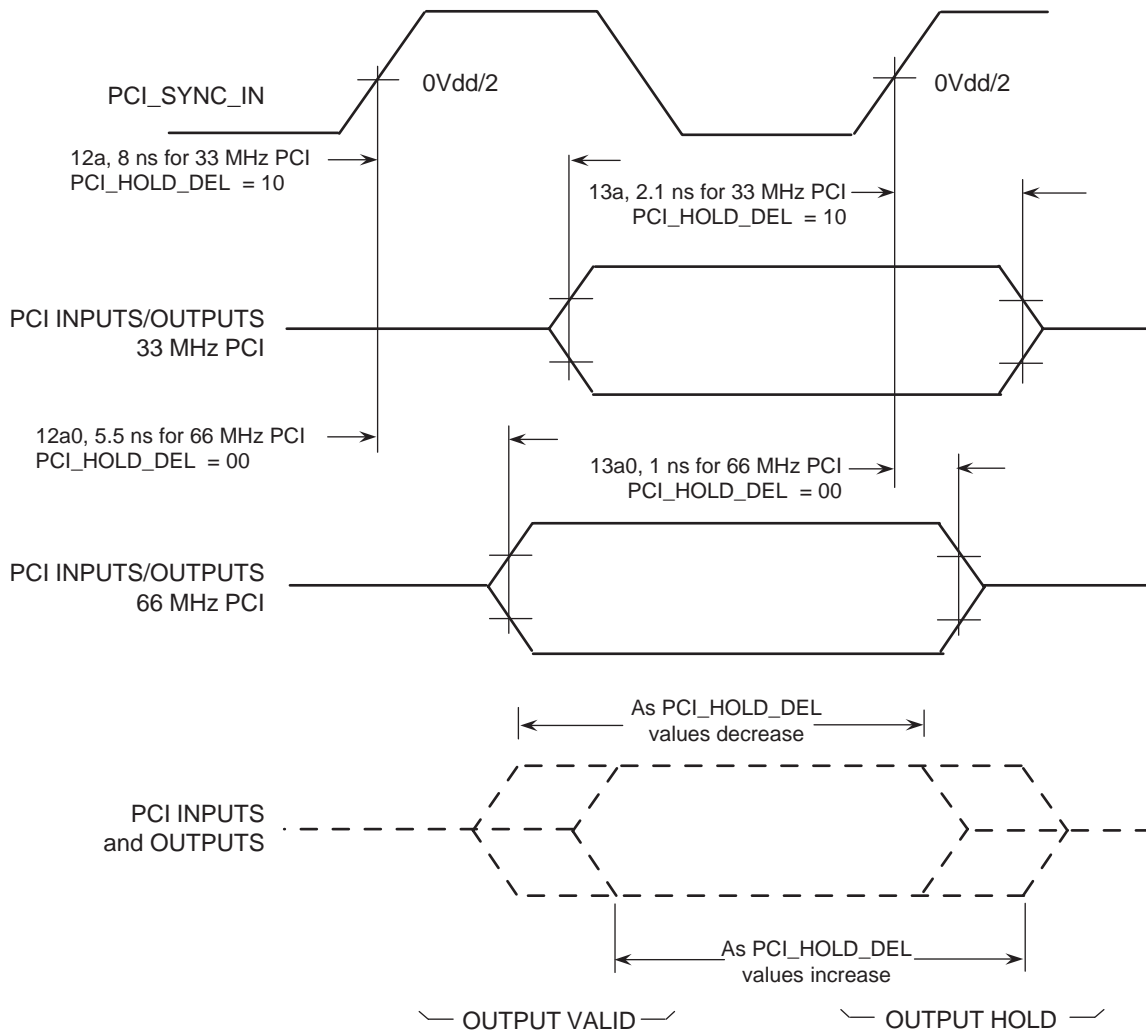


Figure 17. PCI_HOLD_DEL Affect on Output Valid and Hold Time



Note: Diagram not to scale

I²C AC Timing Specifications

Table 11 provides the I²C interface input AC timing specifications for the PC8245 at recommended operating conditions (see Table “Recommended Operating Conditions” on page 12) with LV_{DD} = 3.3V ± 0.3V.

Table 11. I²C interface Input AC Timing Specifications

| Number | Characteristics | Min | Max | Unit | Notes |
|--------|--|--|-----|------|--------------|
| 1 | Start condition hold time | 4.0 | – | CLKs | (1)(2) |
| 2 | Clock low period (time before the PC8245 will drive SCL low as a transmitting slave after detecting SCL low as driven by an external master.) | $8.0 + (16 \times 2^{\text{FDR}[4:2]}) \times (5 - 4(\{\text{FDR}[5], \text{FDR}[1]\} == \text{b}'10\}) - 3(\{\text{FDR}[5], \text{FDR}[1]\} == \text{b}'11\}) - 2(\{\text{FDR}[5], \text{FDR}[1]\} == \text{b}'00\}) - 1(\{\text{FDR}[5], \text{FDR}[1]\} == \text{b}'01\}))$ | – | CLKs | (1)(2)(4)(5) |
| 3 | SCL/SDA rise time (from 0.5V to 2.4V) | – | 1 | ms | |
| 4 | Data hold time | 0 | – | ns | (2) |
| 5 | SCL/SDA fall time (from 2.4V to 0.5V) | – | 1 | ms | |
| 6 | Clock high period (Time needed to either receive a data bit or generate a START or STOP.) | 5.0 | – | CLKs | (1)(2)(5) |
| 7 | Data setup time | 3.0 | – | ns | (3) |
| 8 | Start condition setup time (for repeated start condition only) | 4.0 | – | CLKs | (1)(2) |
| 9 | Stop condition setup time | 4.0 | – | CLKs | (1)(2) |

- Notes:
1. Units for these specifications are in SDRAM_CLK units.
 2. The actual values depend on the setting of the digital filter frequency sampling rate (DFFSR) bits in the frequency divider register I2CFDR. Therefore, the noted timings in the above table are all relative to qualified signals. The qualified SCL and SDA are delayed signals from what is seen in real time on the I²C interface bus. The qualified SCL, SDA signals are delayed by the SDRAM_CLK clock times DFFSR times 2 plus 1 SDRAM_CLK clock. The resulting delay value is added to the value in the table (where this note is referenced). See Figure 19 on page 39.
 3. Timing is relative to the Sampling Clock (not SCL).
 4. FDR[x] refers to the Frequency Divider Register I2CFDR bit x.
 5. Input clock low and high periods in combination with the FDR value in the Frequency Divider Register (I2CFDR) determine the maximum I²C interface input frequency. See Table 12.

Table 12 provides the I²C Interface Frequency Divider Register (I2CFDR) information for the PC8245.

Table 12. PC8245 Maximum I²C Interface Input Frequency

| FDR Hex ⁽²⁾ | Divider (Dec) ⁽²⁾⁽³⁾ | Max I ² C Interface Input Frequency ⁽¹⁾ | | | |
|------------------------|---|---|------------------------|-------------------------|-------------------------|
| | | SDRAM_CLK at 33 MHz | SDRAM_CLK at 50 MHz | SDRAM_CLK at 100 MHz | SDRAM_CLK at 133 MHz |
| 20, 21 | 160, 192 | 1.13 MHz | 1.72 MHz | 3.44 MHz | 4.58 MHz |
| 22, 23, 24, 25 | 224, 256, 320, 384 | 733 | 1.11 MHz | 2.22 MHz | 2.95 MHz ¹⁶ |
| 0, 1 | 288, 320 | 540 | 819 | 1.63 MHz | 2.18 MHz |
| 2, 3, 26, 27, 28, 29 | 384, 448, 480, 512, 640, 768 | 428 | 649 | 1.29 MHz | 1.72 MHz |
| 4, 5 | 576, 640 | 302 | 458 | 917 | 1.22 MHz |
| 6, 7, 2A, 2B, 2C, 2D | 768, 896, 960, 1024, 1280, 1536 | 234 | 354 | 709 | 943 |
| 8, 9 | 1152, 1280 | 160 | 243 | 487 | 648 |
| A, B, 2E, 2F, 30, 31 | 1536, 1792, 1920, 2048, 2560, 3072 | 122 | 185 | 371 | 494 |
| C, D | 2304, 2560 | 83 | 125 | 251 | 335 |
| E, F, 32, 33, 34, 35 | 3072, 3584, 3840, 4096, 5120, 6144 | 62 | 95 | 190 | 253 |
| 10, 11 | 4608, 5120 | 42 | 64 | 128 | 170 |
| 12, 13, 36, 37, 38, 39 | 6144, 7168, 7680, 8192, 10240, 12288 | 31 | 48 | 96 | 128 |
| 14, 15 | 9216, 10240 | 21 | 32 | 64 | 85 |
| 16, 17, 3A, 3B, 3C, 3D | 12288, 14336, 15360, 16384, 20480, 24576 | 16 | 24 | 48 | 64 |
| 18, 19 | 18432, 20480 | 10 | 16 | 32 | 43 |
| 1A, 1B, 3E, 3F | 24576, 28672, 30720, 32768 | 8 | 12 | 24 | 32 |
| 1C, 1D | 36864, 40960 | 5 | 8 | 16 | 21 |
| 1E, 1F | 49152, 61440 | 4 | 6 | 12 | 16 |

- Notes:
1. Values are in kHz unless otherwise specified.
 2. FDR Hex and Divider (Dec) values are listed in corresponding order.
 3. Multiple Divider (Dec) values will generate the same input frequency, but each Divider (Dec) value will generate a unique output frequency as shown in Table 13.

Table 13 provides the I²C interface output AC timing specifications for the PC8245 at recommended operating conditions (see Table “Recommended Operating Conditions” on page 12) with LV_{DD} = 3.3V ± 0.3V.

Table 13. I²C Interface Output AC Timing Specifications

| Number | Characteristics | Min | Max | Unit | Notes |
|--------|--|---|-----|------|-----------|
| 1 | Start condition hold time | $(FDR[5] == 0) \times (D_{FDR}/16)/2N + (FDR[5] == 1) \times (D_{FDR}/16)/2M$ | – | CLKs | (1)(2)(3) |
| 2 | Clock low period | $D_{FDR}/2$ | – | CLKs | (1)(2)(3) |
| 3 | SCL/SDA rise time (from 0.5V to 2.4V) | – | – | ms | (4) |
| 4 | Data hold time | $8.0 + (16 \times 2^{FDR[4:2]}) \times (5 - 4(\{FDR[5], FDR[1]\} == b'10) - 3(\{FDR[5], FDR[1]\} == b'11) - 2(\{FDR[5], FDR[1]\} == b'00) - 1(\{FDR[5], FDR[1]\} == b'01))$ | – | CLKs | (1)(2)(3) |
| 5 | SCL/SDA fall time (from 2.4V to 0.5V) | – | < 5 | ns | (5) |
| 6 | Clock high time | $D_{FDR}/2$ | – | CLKs | (1)(2)(3) |
| 7 | Data setup time (PC8245 as a master only) | $(D_{FDR}/2) - (\text{Output data hold time})$ | – | CLKs | (1)(3) |
| 8 | Start condition setup time (for repeated start condition only) | $D_{FDR} + (\text{Output start condition hold time})$ | – | CLKs | (1)(2)(3) |
| 9 | Stop condition setup time | 4.0 | – | CLKs | (1)(2) |

- Notes:
1. Units for these specifications are in SDRAM_CLK units.
 2. The actual values depend on the setting of the digital filter frequency sampling rate (DFFSR) bits in the frequency divider register I2CFDR. Therefore, the noted timings in the above table are all relative to qualified signals. The qualified SCL and SDA are delayed signals from what is seen in real time on the I²C interface bus. The qualified SCL, SDA signals are delayed by the SDRAM_CLK clock times DFFSR times 2 plus 1 SDRAM_CLK clock. The resulting delay value is added to the value in the table (where this note is referenced). See Figure 19.
 3. D_{FDR} is the decimal divider number indexed by FDR[5:0] value. Refer to Table 10-5 in the "MPC8245 Integrated Processor User's Manual". FDR[x] refers to the frequency divider register I2CFDR bit x. N is equal to a variable number that would make the result of the divide (data hold time value) equal to a number less than 16. M is equal to a variable number that would make the result of the divide (data hold time value) equal to a number less than 9.
 4. Since SCL and SDA are open-drain type outputs, which the PC8245 can only drive low, the time required for SCL or SDA to reach a high level depends on external signal capacitance and pull-up resistor values.
 5. Specified at a nominal 50 pF load.

Figure 18. I²C Interface Timing Diagram I

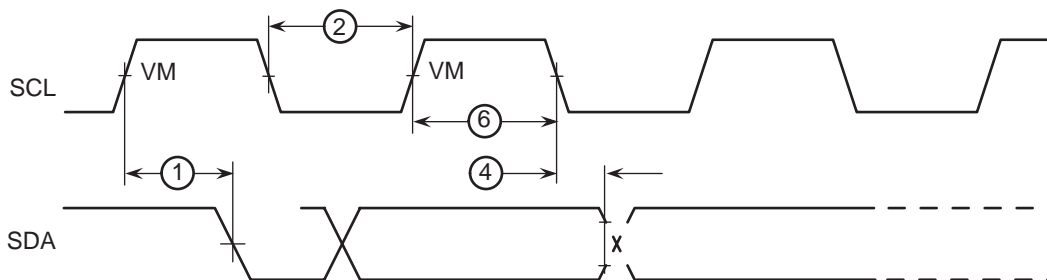


Figure 19. I²C Interface Timing Diagram II

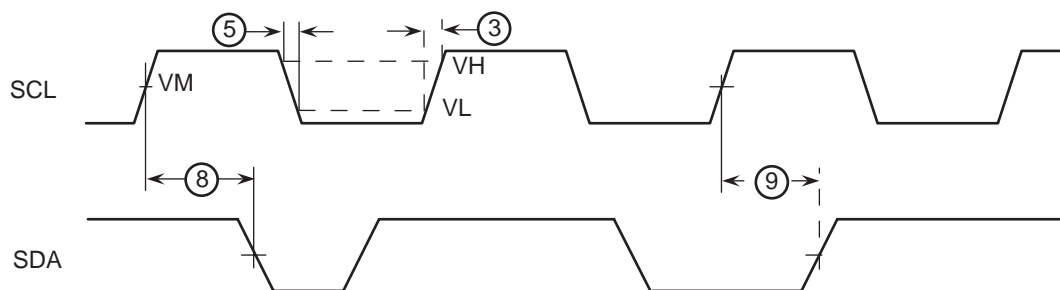
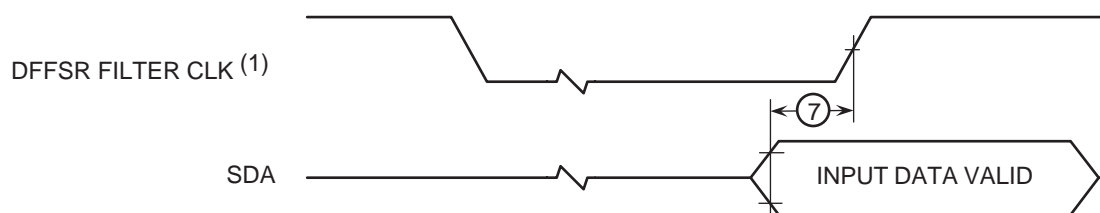
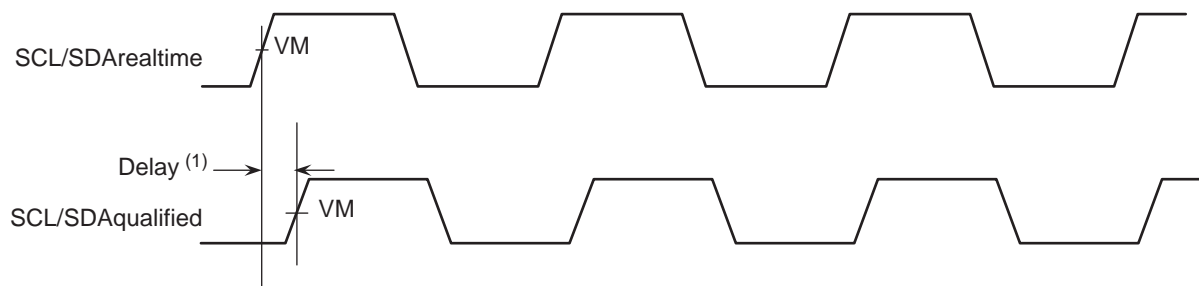


Figure 20. I²C Interface Timing Diagram III



Note 1: DFFSR Filter Clock is the SDRAM_CLK clock times DFFSR value.

Figure 21. I²C Interface Timing Diagram IV (Qualified signal)



Note 1: The delay is the Local Memory clock times DFFSR times 2 plus 1 Local Memory clock.

EPIC Serial Interrupt Mode AC Timing Specifications

Table 14 provides the EPIC serial interrupt mode AC timing specifications for the PC8245 at recommended operating conditions (see Table "Recommended Operating Conditions" on page 12) with $GV_{DD} = 3.3V \pm 5\%$ and $LV_{DD} = 3.3V \pm 0.3V$.

Table 14. EPIC Serial Interrupt Mode AC Timing Specifications

| Number | Characteristics | Min | Max | Unit | Notes |
|--------|---|----------------------------|----------------------------|------|--------|
| 1 | S_CLK Frequency | 1/14 SDRAM_SYNC_IN | 1/2 SDRAM_SYNC_IN | MHz | (1) |
| 2 | S_CLK Duty Cycle | 40 | 60 | % | – |
| 3 | S_CLK Output Valid Time | – | 6 | ns | – |
| 4 | Output Hold Time | 0 | – | ns | – |
| 5 | $\overline{S_FRAME}$, S_RST Output Valid Time | – | 1 sys_logic_clk period + 6 | ns | (2)(3) |
| 6 | S_INT Input Setup Time to S_CLK | 1 sys_logic_clk period + 2 | – | ns | (2)(3) |
| 7 | S_INT Inputs Invalid (Hold Time) to S_CLK | – | 0 | ns | (2) |

- Notes:
1. See the "MPC8245 Integrated Processor User's Manual" for a description of the EPIC interrupt control register (EICR) describing S_CLK frequency programming.
 2. S_RST, $\overline{S_FRAME}$, and S_INT shown in Figure 22 and Figure 23, depict timing relationships to sys_logic_clk and S_CLK and do not describe functional relationships between S_RST, $\overline{S_FRAME}$, and S_INT. See the "MPC8245 Integrated Processor User's Manual" for a complete description of the functional relationships between these signals.
 3. The sys_logic_clk waveform is the clocking signal of the internal peripheral logic from the output of the peripheral logic PLL; sys_logic_clk is the same as SDRAM_SYNC_IN when the SDRAM_SYNC_OUT to SDRAM_SYNC_IN feedback loop is implemented and the DLL is locked. See the "MPC8245 Integrated Processor User's Manual" for a complete clocking description.

Figure 22. EPIC Serial Interrupt Mode Output Timing Diagram

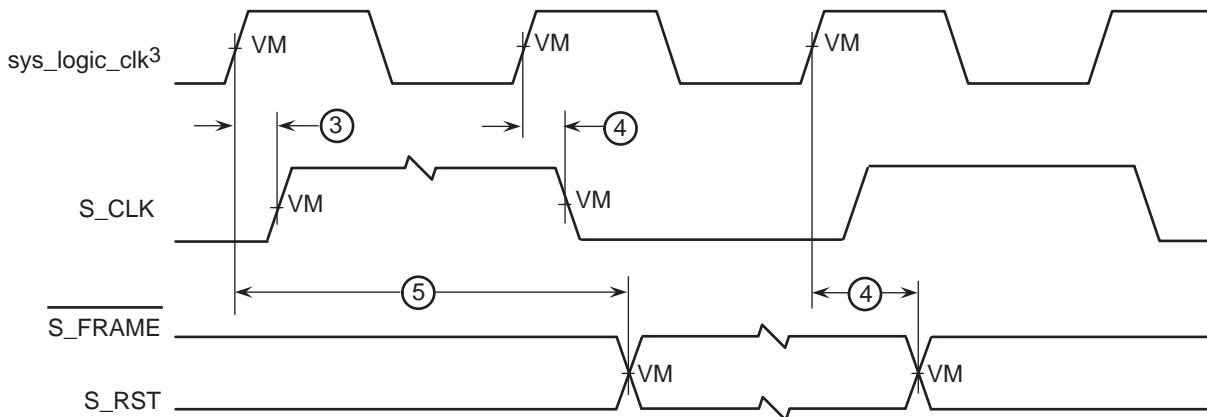
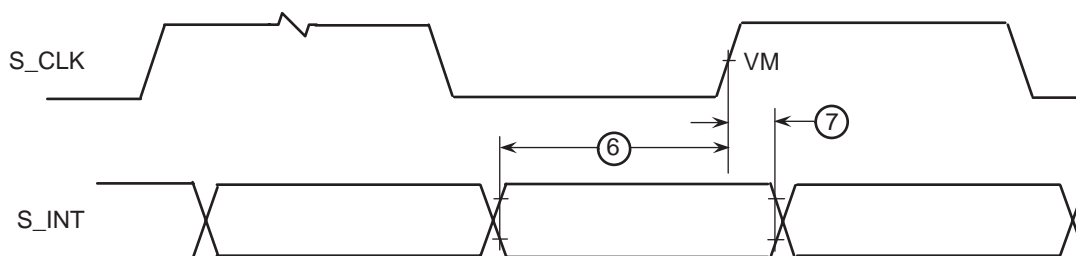


Figure 23. EPIC Serial Interrupt Mode Input Timing Diagram



IEEE 1149.1 (JTAG) AC Timing Specifications

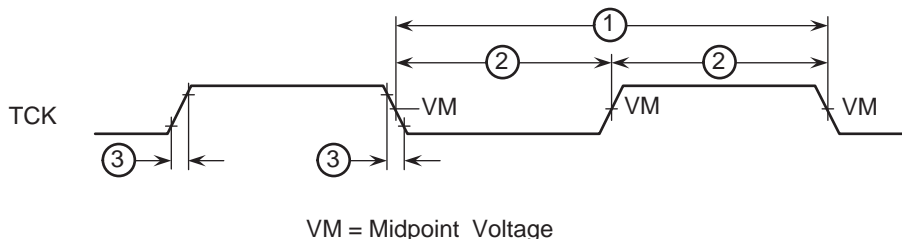
Table 15 provides the JTAG AC timing specifications for the PC8245 while in the JTAG operating mode at recommended operating conditions (see Table “Recommended Operating Conditions” on page 12) with $V_{DD} = 3.3V \pm 0.3V$. Timings are independent of the system clock (PCI_SYNC_IN).

Table 15. JTAG AC Timing Specifications (Independent of PCI_SYNC_IN)

| Number | Characteristics | Min | Max | Unit | Notes |
|--------|--|-----|-----|------|-------|
| | TCK Frequency of Operation | 0 | 25 | MHz | |
| 1 | TCK Cycle Time | 40 | – | ns | |
| 2 | TCK Clock Pulse Width Measured at 1.5V | 20 | – | ns | |
| 3 | TCK Rise and Fall Times | 0 | 3 | ns | |
| 4 | \overline{TRST} Setup Time to TCK Falling Edge | 10 | – | ns | (1) |
| 5 | \overline{TRST} Assert Time | 10 | – | ns | |
| 6 | Input Data Setup Time | 5 | – | ns | (2) |
| 7 | Input Data Hold Time | 15 | – | ns | (2) |
| 8 | TCK to Output Data Valid | 0 | 30 | ns | (3) |
| 9 | TCK to Output High Impedance | 0 | 30 | ns | (3) |
| 10 | TMS, TDI Data Setup Time | 5 | – | ns | |
| 11 | TMS, TDI Data Hold Time | 15 | – | ns | |
| 12 | TCK to TDO Data Valid | 0 | 15 | ns | |
| 13 | TCK to TDO High Impedance | 0 | 15 | ns | |

- Notes: 1. \overline{TRST} is an asynchronous signal. The setup time is for test purposes only.
 2. Nontest (other than TDI and TMS) signal input timing with respect to TCK.
 3. Nontest (other than TDO) signal output timing with respect to TCK.

Figure 24. JTAG Clock Input Timing Diagram



VM = Midpoint Voltage

Figure 25. JTAG $\overline{\text{TRST}}$ Timing Diagram

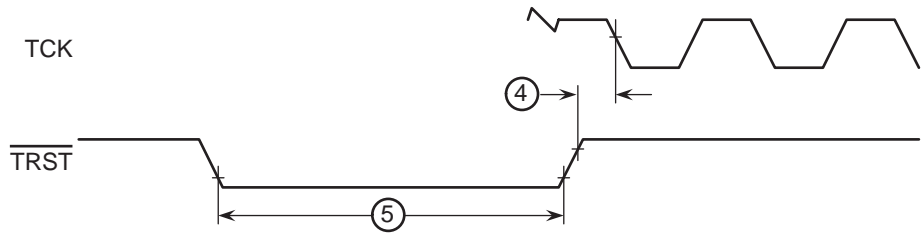


Figure 26. JTAG Boundary Scan Timing Diagram

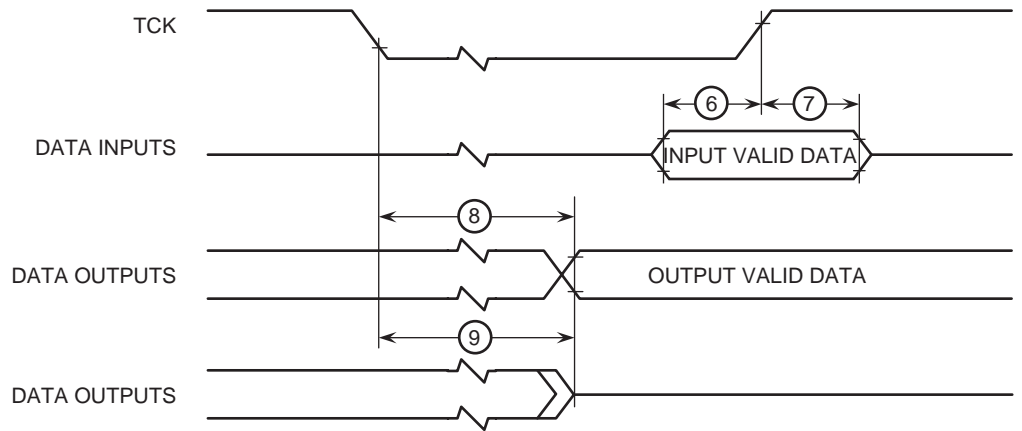
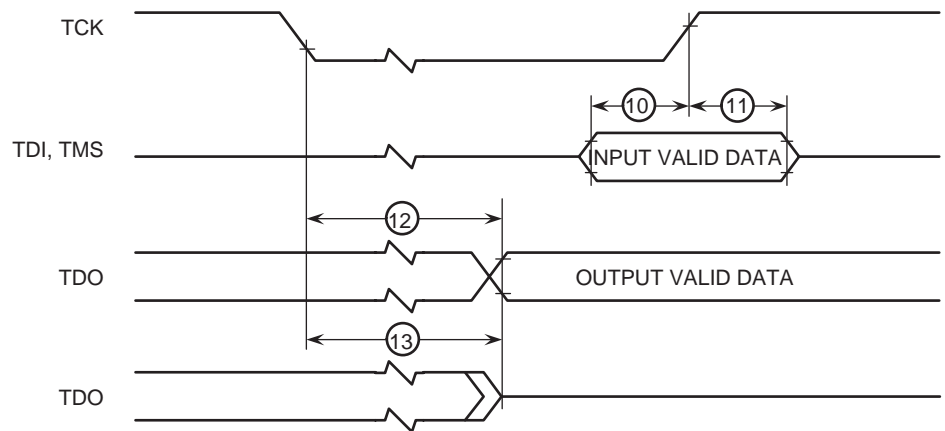


Figure 27. Test Access Port Timing Diagram



Package Description

This section details package parameters, pin assignments, and dimensions.

Package Parameters for the PC8245

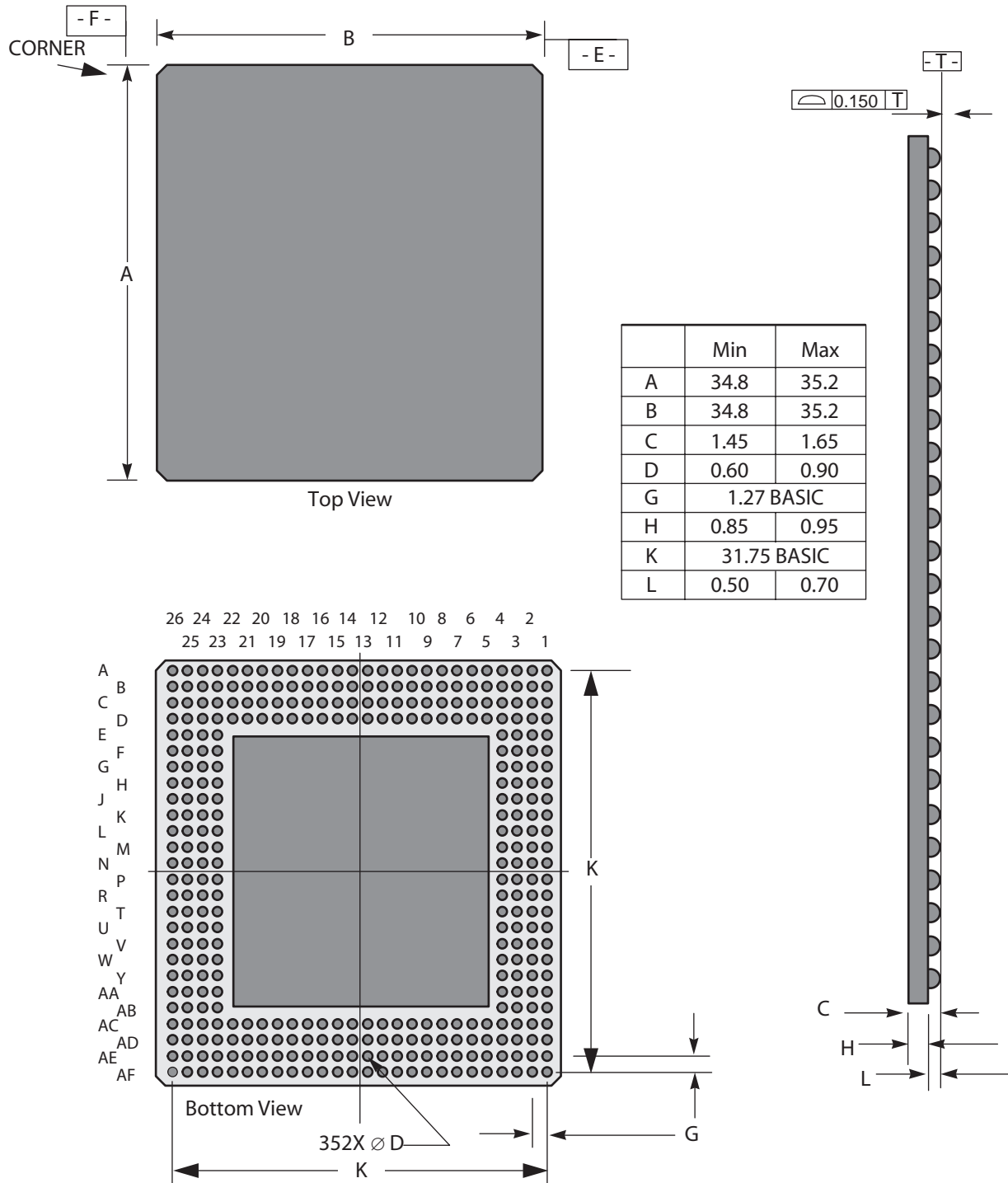
The PC8245 uses a 35 mm x 35 mm, cavity up, 352-pin tape ball grid array (TBGA) package. The package parameters are as follows:.

| | |
|----------------------------|---|
| Package Outline | 35 mm x 35 mm |
| Interconnects | 352 |
| Pitch | 1.27 mm |
| Solder Balls | 62 Sn/36 Pb/2 Ag |
| Solder Balls Diameter | 0.75 mm |
| Maximum Module Height | 1.65 mm |
| Co-planarity Specification | 0.15 mm |
| Maximum Force | 6.0 lbs. total, uniformly distributed over package (8 grams/ball) |

Pin Assignments and Package Dimensions

Figure 28 shows the top surface, side profile, and pinout of the PC8245, 352 TBGA package.

Figure 28. PC8245 Package Dimensions and Pinout Assignments



- Notes:
1. Drawing not to scale.
 2. All measurements are in millimeters (mm).

PLL Configuration

The internal PLLs of the PC8245 are configured by the PLL_CFG[0:4] signals. For a given PCI_SYNC_IN (PCI bus) frequency, the PLL configuration signals set both the peripheral logic/memory bus PLL (VCO) frequency of operation for the PCI-to-memory frequency multiplying and the PC603e CPU PLL (VCO) frequency of operation for memory-to-CPU frequency multiplying. The PLL configurations for the PC8245 is shown in Table 16 and Table 17.

Table 16. PLL Configurations (266 and 300 MHz Parts)

| Ref | PLL_CFG [0:4] ⁽¹⁰⁾⁽¹³⁾ | 266 MHz Part ⁽⁹⁾ | | | 300 MHz Part ⁽⁹⁾ | | | Multipliers | |
|-----|--------------------------------------|---|--|-----------------------------|--|--|--------------------------------|-------------------------------|-------------------------------|
| | | PCI Clock Input (PCI_ SYNC_IN) Range ⁽¹⁾ (MHz) | Periph Logic/ Mem Bus Clock Range (MHz) | CPU Clock Range (MHz) | PCI Clock Input (PCI_ SYNC_IN) Range ⁽¹⁾ (MHz) | Periph Logic/Mem Bus Clock Range (MHz) | CPU Clock Range (MHz) | PCI to Mem (Mem VCO) | Mem to CPU (CPU VCO) |
| 0 | 00000 ⁽¹²⁾ | 25 – 35 ⁽⁵⁾⁽¹⁶⁾ | 75 – 105 | 188 – 263 | 25 – 40 ⁽⁵⁾ | 75 – 120 | 188 – 300 | 3 ⁽²⁾ | 2.5 ⁽²⁾ |
| 1 | 00001 ⁽¹²⁾ | 25 – 29 ⁽⁵⁾ | 75 – 88 | 225 – 264 | 25 – 33 ⁽⁵⁾ | 75 – 99 | 225 – 297 | 3 ⁽²⁾ | 3 ⁽²⁾ |
| 2 | 00010 ⁽¹¹⁾ | 50 ⁽¹⁸⁾ – 59 ⁽⁵⁾ | 50 – 59 | 225 – 266 | 50 ⁽¹⁸⁾ – 66 ⁽¹⁾ | 50 – 66 | 225 – 297 | 1 ⁽⁴⁾ | 4.5 ⁽²⁾ |
| 3 | 00011 ⁽¹¹⁾⁽¹⁴⁾ | 50 ⁽⁴⁾ – 66 ⁽¹⁾ | 50 – 66 | 100 – 133 | 50 ⁽⁴⁾ – 66 ⁽¹⁾ | 50 – 66 | 100 – 133 | 1 (Bypass) | 2 ⁽⁴⁾ |
| 4 | 00100 ⁽¹²⁾ | 25 – 46 ⁽⁴⁾ | 50 – 92 | 100 – 184 | 25 – 46 ⁽⁴⁾ | 50 – 92 | 100 – 184 | 2 ⁽⁴⁾ | 2 ⁽⁴⁾ |
| 5 | 00101 | Reserved | | | Reserved | | | Note ⁽²⁰⁾ | |
| 6 | 00110 ⁽¹⁵⁾ | Bypass | | | Bypass | | | Bypass | |
| 7 | 00111 ⁽¹⁴⁾ | 60 ⁽⁶⁾ – 66 ⁽¹⁾ | 60 – 66 | 180 – 198 | 60 ⁽⁶⁾ – 66 ⁽¹⁾ | 60 – 66 | 180 – 198 | 1 (Bypass) | 3 ⁽²⁾ |
| 8 | 01000 ⁽¹²⁾ | 60 ⁽⁶⁾ – 66 ⁽¹⁾ | 60 – 66 | 180 – 198 | 60 ⁽⁶⁾ – 66 ⁽¹⁾ | 60 – 66 | 180 – 198 | 1 ⁽⁴⁾ | 3 ⁽²⁾ |
| 9 | 01001 ⁽¹⁹⁾ | 45 ⁽⁶⁾ – 66 ⁽¹⁾ | 90 – 132 | 180 – 264 | 45 ⁽⁶⁾ – 66 ⁽¹⁾ | 90 – 132 | 180 – 264 | 2 ⁽²⁾ | 2 ⁽²⁾ |
| A | 01010 ⁽¹²⁾ | 25 – 29 ⁽⁵⁾ | 50 – 58 | 225 – 261 | 25 – 33 ⁽⁵⁾ | 50 – 66 | 225 – 297 | 2 ⁽⁴⁾ | 4.5 ⁽²⁾ |
| B | 01011 ⁽¹⁹⁾ | 45 ⁽³⁾ – 59 ⁽⁵⁾ | 68 – 88 | 204 – 264 | 45 ⁽³⁾ – 66 ⁽¹⁾ | 68 – 99 | 204 – 297 | 1.5 ⁽²⁾ | 3 ⁽²⁾ |
| C | 01100 ⁽¹²⁾ | 36 ⁽⁶⁾ – 46 ⁽⁴⁾ | 72 – 92 | 180 – 230 | 36 ⁽⁶⁾ – 46 ⁽⁴⁾ | 72 – 92 | 180 – 230 | 2 ⁽⁴⁾ | 2.5 ⁽²⁾ |
| D | 01101 ⁽¹⁹⁾ | 45 ⁽³⁾ – 50 ⁽⁵⁾ | 68 – 75 | 238 – 263 | 45 ⁽³⁾ – 57 ⁽⁵⁾ | 68 – 85 | 238 – 298 | 1.5 ⁽²⁾ | 3.5 ⁽²⁾ |
| E | 01110 ⁽¹²⁾ | 30 ⁽⁶⁾ – 44 ⁽⁵⁾ | 60 – 88 | 180 – 264 | 30 ⁽⁶⁾ – 46 ⁽⁴⁾ | 60 – 92 | 180 – 276 | 2 ⁽⁴⁾ | 3 ⁽²⁾ |
| F | 01111 ⁽¹⁹⁾ | 25 ⁽⁵⁾ | 75 | 263 | 25 – 28 ⁽⁵⁾ | 75 – 85 | 263 – 298 | 3 ⁽²⁾ | 3.5 ⁽²⁾ |
| 10 | 10000 ⁽¹²⁾ | 30 ⁽⁶⁾ – 44 ⁽²⁾⁽⁵⁾ | 60 – 132 | 180 – 264 | 30 ⁽⁶⁾ – 44 ⁽²⁾ | 60 – 132 | 180 – 264 | 3 ⁽²⁾ | 2 ⁽²⁾ |
| 11 | 10001 ⁽¹⁹⁾ | 25 – 26 ⁽⁵⁾ | 100 – 106 | 250 – 266 | 25 – 29 ⁽²⁾ | 100 – 116 | 250 – 290 | 4 ⁽²⁾ | 2.5 ⁽²⁾ |
| 12 | 10010 ⁽¹²⁾ | 60 ⁽⁶⁾ – 66 ⁽¹⁾ | 90 – 99 | 180 – 198 | 60 ⁽⁶⁾ – 66 ⁽¹⁾ | 90 – 99 | 180 – 198 | 1.5 ⁽²⁾ | 2 ⁽²⁾ |
| 13 | 10011 ⁽¹⁹⁾ | Not Available | | | 25 ⁽²⁾ | 100 | 300 | 4 ⁽²⁾ | 3 ⁽²⁾ |
| 14 | 10100 ⁽¹²⁾ | 26 ⁽⁶⁾ – 38 ⁽⁵⁾ | 52 – 76 | 182 – 266 | 26 ⁽⁶⁾ – 42 ⁽⁵⁾ | 52 – 84 | 182 – 294 | 2 ⁽⁴⁾ | 3.5 ⁽²⁾ |
| 15 | 10101 ⁽¹⁹⁾ | Not Available | | | 27 ⁽³⁾ – 30 ⁽⁵⁾ | 68 – 75 | 272 – 300 | 2.5 ⁽²⁾ | 4 ⁽²⁾ |
| 16 | 10110 ⁽¹²⁾ | 25 – 33 ⁽⁵⁾ | 50 – 66 | 200 – 264 | 25 – 37 ⁽⁵⁾ | 50 – 74 | 200 – 296 | 2 ⁽⁴⁾ | 4 ⁽²⁾ |
| 17 | 10111 ⁽¹⁹⁾ | 25 – 33 ⁽⁵⁾ | 100 – 132 | 200 – 264 | 25 – 33 ⁽²⁾ | 100 – 132 | 200 – 264 | 4 ⁽²⁾ | 2 ⁽²⁾ |
| 18 | 11000 ⁽¹²⁾ | 27 ⁽³⁾ – 35 ⁽⁵⁾ | 68 – 88 | 204 – 264 | 27 ⁽³⁾ – 40 ⁽⁵⁾ | 68 – 100 | 204 – 300 | 2.5 ⁽²⁾ | 3 ⁽²⁾ |

Table 16. PLL Configurations (266 and 300 MHz Parts) (Continued)

| Ref | PLL_CFG [0:4] ⁽¹⁰⁾⁽¹³⁾ | 266 MHz Part ⁽⁹⁾ | | | 300 MHz Part ⁽⁹⁾ | | | Multipliers | |
|-----|-----------------------------------|--|--|-----------------------|--|--|-----------------------|----------------------|----------------------|
| | | PCI Clock Input (PCI_SYNC_IN) Range ⁽¹⁾ (MHz) | Periph Logic/Mem Bus Clock Range (MHz) | CPU Clock Range (MHz) | PCI Clock Input (PCI_SYNC_IN) Range ⁽¹⁾ (MHz) | Periph Logic/Mem Bus Clock Range (MHz) | CPU Clock Range (MHz) | PCI to Mem (Mem VCO) | Mem to CPU (CPU VCO) |
| 19 | 11001 ⁽¹⁹⁾ | 36 ⁽⁶⁾ – 53 ⁽⁵⁾ | 72 – 106 | 180 – 265 | 36 ⁽⁶⁾ – 59 ⁽²⁾ | 72 – 118 | 180 – 295 | 2 ⁽²⁾ | 2.5 ⁽²⁾ |
| 1A | 11010 ⁽¹²⁾ | 50 ⁽¹⁸⁾ – 66 ⁽¹⁾ | 50 – 66 | 200 – 264 | 50 ⁽¹⁸⁾ – 66 ⁽¹⁾ | 50 – 66 | 200 – 264 | 1 ⁽⁴⁾ | 4 ⁽²⁾ |
| 1B | 11011 ⁽¹⁹⁾ | 33 ⁽⁶⁾ – 44 ⁽⁵⁾ | 66 – 88 | 198 – 264 | 33 ⁽⁶⁾ – 50 ⁽⁵⁾ | 66 – 100 | 198 – 300 | 2 ⁽²⁾ | 3 ⁽²⁾ |
| 1C | 11100 ⁽¹²⁾ | 44 ⁽⁶⁾ – 59 ⁽⁵⁾ | 66 – 88 | 198 – 264 | 44 ⁽⁶⁾ – 66 ⁽¹⁾ | 66 – 99 | 198 – 297 | 1.5 ⁽²⁾ | 3 ⁽²⁾ |
| 1D | 11101 ⁽¹²⁾ | 48 ⁽⁶⁾ – 66 ⁽¹⁾ | 72 – 99 | 198 – 248 | 48 ⁽⁶⁾ – 66 ⁽¹⁾ | 72 – 99 | 180 – 248 | 1.5 ⁽²⁾ | 2.5 ⁽²⁾ |
| 1E | 11110 ⁽⁸⁾ | Not Usable | | | Not Usable | | | Off | Off |
| 1F | 11111 ⁽⁸⁾ | Not Usable | | | Not Usable | | | Off | Off |

- Notes:
- Limited by maximum PCI input frequency (66 MHz).
 - Limited by maximum system memory interface operating frequency (100 MHz at 350 MHz CPU).
 - Limited by minimum memory VCO frequency (133 MHz).
 - Limited due to maximum memory VCO frequency (372 MHz).
 - Limited by maximum CPU operating frequency (266 MHz).
 - Limited by minimum CPU VCO frequency (360 MHz).
 - Limited by maximum CPU VCO frequency (800 MHz).
 - In clock off mode, no clocking occurs inside the PC8245 regardless of the PCI_SYNC_IN input.
 - Range values are shown rounded down to the nearest whole number (decimal place accuracy removed) for clarity.
 - PLL_CFG[0:4] settings not listed (01011, 01101, 01111, 10001, 10011, 10101, 11001, and 11011) are reserved.
 - Multiplier ratios for this PLL_CFG[0:4] setting are different from the PC8240 and are not backwards-compatible.
 - PCI_SYNC_IN range for this PLL_CFG[0:4] setting is different from the PC8240 and may not be fully backwards-compatible.
 - Bits 7– 4 of register offset <0xE2> contain the PLL_CFG[0:4] setting value.
 - In PLL bypass mode, the PCI_SYNC_IN input signal clocks the internal processor directly, the peripheral logic PLL is disabled, and the bus mode is set for 1:1 (PCI:Mem) mode operation. This mode is intended for hardware modeling support. The AC timing specifications given in this document do not apply in PLL bypass mode.
 - In dual PLL bypass mode, the PCI_SYNC_IN input signal clocks the internal peripheral logic directly, the peripheral logic PLL is disabled, and the bus mode is set for 1:1 (PCI_SYNC_IN:Mem) mode operation. In this mode, the OSC_IN input signal clocks the internal processor directly in 1:1 (OSC_IN:CPU) mode operation, and the processor PLL is disabled. The PCI_SYNC_IN and OSC_IN input clocks must be externally synchronized. This mode is intended for hardware modeling support. The AC timing specifications given in this document do not apply in dual PLL bypass mode.
 - Limited by maximum system memory interface operating frequency (133 MHz at 266 MHz CPU).
 - Limited by minimum CPU operating frequency (100 MHz).
 - Limited by minimum memory bus frequency (50 MHz).
 - PCI_SYNC_IN range for this PLL_CFG[0:4] setting does not exist on the PC8240 and may not be fully backwards-compatible.
 - No longer supported.

Table 17. PLL Configurations (333 and 350 MHz Parts)

| Ref | PLL_CFG [0:4] ⁽¹⁰⁾⁽¹³⁾ | 333 MHz Part ⁽⁹⁾ | | | 350 MHz Part ⁽⁹⁾ | | | Multipliers | |
|-----|--------------------------------------|--|--|-----------------------------|--|---|--------------------------------|-------------------------------|-------------------------------|
| | | PCI Clock Input (PCI_ SYNC_IN) Range ⁽¹⁾ (MHz) | Periph Logic/ Mem Bus Clock Range (MHz) | CPU Clock Range (MHz) | PCI Clock Input (PCI_ SYNC_IN) Range ⁽¹⁾ (MHz) | Periph Logic/ Mem Bus Clock Range (MHz) | CPU Clock Range (MHz) | PCI to Mem (Mem VCO) | Mem to CPU (CPU VCO) |
| 0 | 00000 ⁽¹²⁾ | 25 – 44 ⁽¹⁶⁾ | 75 – 132 | 188 – 330 | 25 – 44 ⁽¹⁶⁾ | 75 – 132 | 188 – 330 | 3 ⁽²⁾ | 2.5 ⁽²⁾ |
| 1 | 00001 ⁽¹²⁾ | 25 – 37 ⁽⁵⁾ | 75 – 111 | 225 – 333 | 25 – 38 ⁽⁵⁾ | 75 – 114 | 225 – 342 | 3 ⁽²⁾ | 3 ⁽²⁾ |
| 2 | 00010 ⁽¹¹⁾ | 50 ⁽¹⁸⁾ – 66 ⁽¹⁾ | 50 – 66 | 225 – 297 | 50 ⁽¹⁸⁾ – 66 ⁽¹⁾ | 50 – 66 | 225 – 297 | 1 ⁽⁴⁾ | 4.5 ⁽²⁾ |
| 3 | 00011 ⁽¹¹⁾⁽¹⁴⁾ | 50 ⁽⁴⁾ – 66 ⁽¹⁾ | 50 – 66 | 100 – 133 | 50 ⁽⁴⁾ – 66 ⁽¹⁾ | 50 – 66 | 100 – 133 | 1 (Bypass) | 2 ⁽⁴⁾ |
| 4 | 00100 ⁽¹²⁾ | 25 – 46 ⁽⁴⁾ | 50 – 92 | 100 – 184 | 25 – 46 ⁽⁴⁾ | 50 – 92 | 100 – 184 | 2 ⁽⁴⁾ | 2 ⁽⁴⁾ |
| 5 | 00101 | Reserved | | | Reserved | | | Note ⁽²⁰⁾ | |
| 6 | 00110 ⁽¹⁵⁾ | Bypass | | | Bypass | | | Bypass | |
| 7 | 00111 ⁽¹⁴⁾ | 60 ⁽⁶⁾ – 66 ⁽¹⁾ | 60 – 66 | 180 – 198 | 60 ⁽⁶⁾ – 66 ⁽¹⁾ | 60 – 66 | 180 – 198 | 1 (Bypass) | 3 ⁽²⁾ |
| 8 | 01000 ⁽¹²⁾ | 60 ⁽⁶⁾ – 66 ⁽¹⁾ | 60 – 66 | 180 – 198 | 60 ⁽⁶⁾ – 66 ⁽¹⁾ | 60 – 66 | 180 – 198 | 1 ⁽⁴⁾ | 3 ⁽²⁾ |
| 9 | 01001 ⁽¹⁹⁾ | 45 ⁽⁶⁾ – 66 ⁽¹⁾ | 90 – 132 | 180 – 264 | 45 ⁽⁶⁾ – 66 ⁽¹⁾ | 90 – 132 | 180 – 264 | 2 ⁽²⁾ | 2 ⁽²⁾ |
| A | 01010 ⁽¹²⁾ | 25 – 37 ⁽⁵⁾ | 50 – 74 | 225 – 333 | 25 – 38 ⁽⁵⁾ | 50 – 76 | 225 – 342 | 2 ⁽⁴⁾ | 4.5 ⁽²⁾ |
| B | 01011 ⁽¹⁹⁾ | 45 ⁽³⁾ – 66 ⁽¹⁾ | 68 – 99 | 204 – 297 | 45 ⁽³⁾ – 66 ⁽¹⁾ | 68 – 99 | 204 – 297 | 1.5 ⁽²⁾ | 3 ⁽²⁾ |
| C | 01100 ⁽¹²⁾ | 36 ⁽⁶⁾ – 46 ⁽⁴⁾ | 72 – 92 | 180 – 230 | 36 ⁽⁶⁾ – 46 ⁽⁴⁾ | 72 – 92 | 180 – 230 | 2 ⁽⁴⁾ | 2.5 ⁽²⁾ |
| D | 01101 ⁽¹⁹⁾ | 45 ⁽³⁾ – 63 ⁽⁵⁾ | 68 – 95 | 238 – 333 | 45 ⁽³⁾ – 66 ⁽¹⁾ | 68 – 99 | 238 – 347 | 1.5 ⁽²⁾ | 3.5 ⁽²⁾ |
| E | 01110 ⁽¹²⁾ | 30 ⁽⁶⁾ – 46 ⁽⁴⁾ | 60 – 92 | 180 – 276 | 30 ⁽⁶⁾ – 46 ⁽⁴⁾ | 60 – 92 | 180 – 276 | 2 ⁽⁴⁾ | 3 ⁽²⁾ |
| F | 01111 ⁽¹⁹⁾ | 25 – 31 ⁽⁵⁾ | 75 – 93 | 263 – 326 | 25 – 33 ⁽⁵⁾ | 75 – 99 | 263 – 347 | 3 ⁽²⁾ | 3.5 ⁽²⁾ |
| 10 | 10000 ⁽¹²⁾ | 30 ⁽⁶⁾ – 44 ⁽²⁾ | 60 – 132 | 180 – 264 | 30 ⁽⁶⁾ – 44 ⁽²⁾ | 60 – 132 | 180 – 264 | 3 ⁽²⁾ | 2 ⁽²⁾ |
| 11 | 10001 ⁽¹⁹⁾ | 25 – 33 ⁽²⁾ | 100 – 132 | 250 – 330 | 25 – 33 ⁽²⁾ | 100 – 132 | 250 – 330 | 4 ⁽²⁾ | 2.5 ⁽²⁾ |
| 12 | 10010 ⁽¹²⁾ | 60 ⁽⁶⁾ – 66 ⁽¹⁾ | 90 – 99 | 180 – 198 | 60 ⁽⁶⁾ – 66 ⁽¹⁾ | 90 – 99 | 180 – 198 | 1.5 ⁽²⁾ | 2 ⁽²⁾ |
| 13 | 10011 ⁽¹⁹⁾ | 25 – 27 ⁽⁵⁾ | 100 – 108 | 300 – 324 | 25 – 29 ⁽⁵⁾ | 100 – 116 | 300 – 348 | 4 ⁽²⁾ | 3 ⁽²⁾ |
| 14 | 10100 ⁽¹²⁾ | 26 ⁽⁶⁾ – 47 ⁽⁴⁾ | 52 – 94 | 182 – 329 | 26 ⁽⁶⁾ – 47 ⁽⁴⁾ | 52 – 94 | 182 – 329 | 2 ⁽⁴⁾ | 3.5 ⁽²⁾ |
| 15 | 10101 ⁽¹⁹⁾ | 27 ⁽³⁾ – 33 ⁽⁵⁾ | 68 – 83 | 272 – 332 | 27 ⁽³⁾ – 34 ⁽⁵⁾ | 68 – 85 | 272 – 340 | 2.5 ⁽²⁾ | 4 ⁽²⁾ |
| 16 | 10110 ⁽¹²⁾ | 25 – 41 ⁽⁵⁾ | 50 – 82 | 200 – 328 | 25 – 43 ⁽⁵⁾ | 50 – 86 | 200 – 344 | 2 ⁽⁴⁾ | 4 ⁽²⁾ |
| 17 | 10111 ⁽¹⁹⁾ | 25 – 33 ⁽²⁾ | 100 – 132 | 200 – 264 | 25 – 33 ⁽²⁾ | 100 – 132 | 200 – 264 | 4 ⁽²⁾ | 2 ⁽²⁾ |
| 18 | 11000 ⁽¹²⁾ | 27 ⁽³⁾ – 44 ⁽⁵⁾ | 68 – 110 | 204 – 330 | 27 ⁽³⁾ – 46 ⁽⁵⁾ | 68 – 115 | 204 – 345 | 2.5 ⁽²⁾ | 3 ⁽²⁾ |
| 19 | 11001 ⁽¹⁹⁾ | 36 ⁽⁶⁾ – 66 ⁽¹⁾ | 72 – 132 | 180 – 330 | 36 ⁽⁶⁾ – 66 ⁽¹⁾ | 72 – 132 | 180 – 330 | 2 ⁽²⁾ | 2.5 ⁽²⁾ |
| 1A | 11010 ⁽¹²⁾ | 50 ⁽¹⁸⁾ – 66 ⁽¹⁾ | 50 – 66 | 200 – 264 | 50 ⁽¹⁸⁾ – 66 ⁽¹⁾ | 50 – 66 | 200 – 264 | 1 ⁽⁴⁾ | 4 ⁽²⁾ |
| 1B | 11011 ⁽¹⁹⁾ | 33 ⁽⁶⁾ – 55 ⁽⁵⁾ | 66 – 110 | 198 – 330 | 33 ⁽⁶⁾ – 58 ⁽⁵⁾ | 66 – 116 | 198 – 348 | 2 ⁽²⁾ | 3 ⁽²⁾ |
| 1C | 11100 ⁽¹²⁾ | 44 ⁽⁶⁾ – 66 ⁽¹⁾ | 66 – 99 | 198 – 297 | 44 ⁽⁶⁾ – 66 ⁽¹⁾ | 66 – 99 | 198 – 297 | 1.5 ⁽²⁾ | 3 ⁽²⁾ |

Table 17. PLL Configurations (333 and 350 MHz Parts) (Continued)

| Ref | PLL_CFG [0:4] ⁽¹⁰⁾⁽¹³⁾ | 333 MHz Part ⁽⁹⁾ | | | 350 MHz Part ⁽⁹⁾ | | | Multipliers | |
|-----|--------------------------------------|--|--|-----------------------------|--|---|--------------------------------|-------------------------------|-------------------------------|
| | | PCI Clock Input (PCI_SYNC_IN) Range ⁽¹⁾ (MHz) | Periph Logic/ Mem Bus Clock Range (MHz) | CPU Clock Range (MHz) | PCI Clock Input (PCI_SYNC_IN) Range ⁽¹⁾ (MHz) | Periph Logic/ Mem Bus Clock Range (MHz) | CPU Clock Range (MHz) | PCI to Mem (Mem VCO) | Mem to CPU (CPU VCO) |
| 1D | 11101 ⁽¹²⁾ | 48 ⁽⁶⁾ – 66 ⁽¹⁾ | 72 – 99 | 180 – 248 | 48 ⁽⁶⁾ – 66 ⁽¹⁾ | 72 – 99 | 180 – 248 | 1.5 ⁽²⁾ | 2.5 ⁽²⁾ |
| 1E | 11110 ⁽⁸⁾ | Not Usable | | | Not Usable | | | Off | Off |
| 1F | 11111 ⁽⁸⁾ | Not Usable | | | Not Usable | | | Off | Off |

- Notes:
- Limited by maximum PCI input frequency (66 MHz).
 - Limited by maximum system memory interface operating frequency (100 MHz at 350 MHz CPU).
 - Limited by minimum memory VCO frequency (133 MHz).
 - Limited due to maximum memory VCO frequency (372 MHz).
 - Limited by maximum CPU operating frequency (266 MHz).
 - Limited by minimum CPU VCO frequency (360 MHz).
 - Limited by maximum CPU VCO frequency (800 MHz).
 - In clock off mode, no clocking occurs inside the PC8245 regardless of the PCI_SYNC_IN input.
 - Range values are shown rounded down to the nearest whole number (decimal place accuracy removed) for clarity.
 - PLL_CFG[0:4] settings not listed (01011, 01101, 01111, 10001, 10011, 10101, 11001, and 11011) are reserved.
 - Multiplier ratios for this PLL_CFG[0:4] setting are different from the PC8240 and are not backwards-compatible.
 - PCI_SYNC_IN range for this PLL_CFG[0:4] setting is different from the PC8240 and may not be fully backwards-compatible.
 - Bits 7–4 of register offset <0xE2> contain the PLL_CFG[0:4] setting value.
 - In PLL bypass mode, the PCI_SYNC_IN input signal clocks the internal processor directly, the peripheral logic PLL is disabled, and the bus mode is set for 1:1 (PCI:Mem) mode operation. This mode is intended for hardware modeling support. The AC timing specifications given in this document do not apply in PLL bypass mode.
 - In dual PLL bypass mode, the PCI_SYNC_IN input signal clocks the internal peripheral logic directly, the peripheral logic PLL is disabled, and the bus mode is set for 1:1 (PCI_SYNC_IN:Mem) mode operation. In this mode, the OSC_IN input signal clocks the internal processor directly in 1:1 (OSC_IN:CPU) mode operation, and the processor PLL is disabled. The PCI_SYNC_IN and OSC_IN input clocks must be externally synchronized. This mode is intended for hardware modeling support. The AC timing specifications given in this document do not apply in dual PLL bypass mode.
 - Limited by maximum system memory interface operating frequency (133 MHz at 333 MHz CPU).
 - Limited by minimum CPU operating frequency (100 MHz).
 - Limited by minimum memory bus frequency (50 MHz).
 - PCI_SYNC_IN range for this PLL_CFG[0:4] setting does not exist on the PC8240 and may not be fully backwards-compatible.
 - No longer supported.

System Design Information

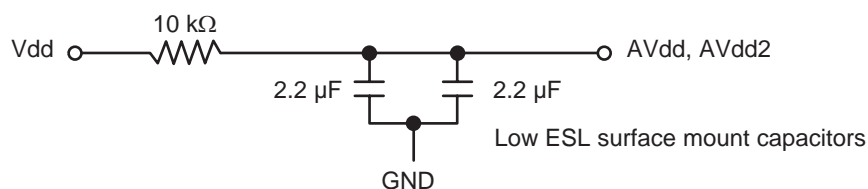
This section provides electrical and thermal design recommendations for successful application of the PC8245.

PLL Power Supply Filtering

The AV_{DD} and AV_{DD2} power signals are provided on the PC8245 to provide power to the peripheral logic/memory bus PLL and the PC603e processor PLL. To ensure stability of the internal clocks, the power supplied to the AV_{DD} and AV_{DD2} input signals should be filtered of any noise in the 500 kHz to 10 MHz resonant frequency range of the PLLs. Two separate circuits similar to the one shown in Figure 29 using surface mount capacitors with minimum effective series inductance (ESL) is recommended for AV_{DD} and AV_{DD2} power signal pins. Consistent with the recommendations of Dr. Howard Johnson in High Speed Digital Design: A Handbook of Black Magic (Prentice Hall, 1993), multiple small capacitors of equal value are recommended over using multiple values.

The circuits should be placed as close as possible to the respective input signal pins to minimize noise coupled from nearby circuits. Routing directly as possible from the capacitors to the input signal pins with minimal inductance of vias is important.

Figure 29. PLL Power Supply Filter Circuit



Power Supply Sizing

The power consumption numbers provided in Table 3 on page 22 do not reflect power from the OV_{DD} and GV_{DD} power supplies which are non-negligible for the PC8245. In typical application measurements, the OV_{DD} power ranged from 200 to 500 mW and the GV_{DD} power ranged from 300 to 600 mW. The ranges' low-end power numbers were results of the PC8245 performing cache resident integer operations at the slowest frequency combination of 33:66:200 (PCI:Mem:CPU) MHz. The OV_{DD} high end range's value resulted from the PC8245 operating at the fastest frequency combination of 66:100:350 (PCI:Mem:CPU) MHz and performing continuous flushes of cache lines with alternating ones and zeros to PCI memory. The GV_{DD} high-end range's value resulted from the PC8245 operating at the fastest frequency combination of 66:100:350 (PCI:Mem:CPU) MHz and performing continuous flushes of cache lines with alternating ones and zeros on 64-bit boundaries to local memory.

Decoupling Recommendations

Due to its dynamic power management feature, the large address and data buses, and its high operating frequencies, the PC8245 can generate transient power surges and high frequency noise in its power supply, especially while driving large capacitive loads. This noise must be prevented from reaching other components in the PC8245 system, and the PC8245 itself requires a clean, tightly regulated source of power. Therefore, it is recommended that the system designer place at least one decoupling capacitor at each V_{DD} , OV_{DD} , GV_{DD} , and LV_{DD} pin of the PC8245. It is also recommended that these decoupling capacitors receive their power from separate V_{DD} , OV_{DD} , GV_{DD} , and GND power planes in the PCB, utilizing short traces to minimize inductance. These capacitors should have a value of 0.1 μ F. Only ceramic SMT (surface mount technology) capacitors should be used to minimize lead inductance, preferably 0508 or 0603, oriented such that connections are made along the length of the part.

In addition, it is recommended that there be several bulk storage capacitors distributed around the PCB, feeding the V_{DD} , OV_{DD} , GV_{DD} , and LV_{DD} planes, to enable quick recharging of the smaller chip capacitors. These bulk capacitors should have a low ESR (equivalent series resistance) rating to ensure the quick response time necessary. They should also be connected to the power and ground planes through two vias to minimize inductance. Suggested bulk capacitors: 100 – 330 μF (AVX TPS tantalum or Sanyo OSCON).

Connection Recommendations

To ensure reliable operation, it is highly recommended to connect unused inputs to an appropriate signal level. Unused active-low inputs should be tied to OV_{DD} . Unused active-high inputs should be connected to GND. All NC (no connect) signals must remain unconnected.

Power and ground connections must be made to all external V_{DD} , OV_{DD} , GV_{DD} , LV_{DD} , and GND pins of the PC8245.

The PCI_SYNC_OUT signal is intended to be routed halfway out to the PCI devices and then returned to the PCI_SYNC_IN input of the PC8245.

The SDRAM_SYNC_OUT signal is intended to be routed halfway out to the SDRAM devices and then returned to the SDRAM_SYNC_IN input of the PC8245. The trace length may be used to skew or adjust the timing window as needed. See Motorola application notes AN1849/D and AN2164/D for more information on this topic. Note that there is an SDRAM_SYNC_IN to PCI_SYNC_IN time requirement. (See Table 9 on page 31.)

Pull-up/Pull-down Resistor Requirements

The data bus input receivers are normally turned off when no read operation is in progress; therefore, they do not require pull-up resistors on the bus. The data bus signals are: MDH[0:31], MDL[0:31], and PAR[0:7].

If the 32-bit data bus mode is selected, the input receivers of the unused data and parity bits (MDL[0:31] and PAR[4:7]) will be disabled, and their outputs will drive logic zeros when they would otherwise normally be driven. For this mode, these pins do not require pull-up resistors and should be left unconnected by the system to minimize possible output switching.

The $\overline{\text{TEST0}}$ pin requires a pull-up resistor of 120 Ω or less connected to OV_{DD} .

It is recommended that RTC have weak pull-up resistors (2 k Ω – 10 k Ω) connected to $GV_{DD-OV_{DD}}$.

It is recommended that the following signals be pulled up to OV_{DD} with weak pull-up resistors (2 k Ω – 10 k Ω): SDA, SCL, SMI, $\overline{\text{SRESET/SDMA12}}$, TBEN/SDMA13, $\overline{\text{CHKSTOP_IN/SDMA14}}$, TRIG_IN/RCS2, and DRDY.

It is recommended that the following PCI control signals be pulled up to LV_{DD} with weak pull-up resistors (2 k Ω – 10 k Ω): DEVSEL, FRAME, IRDY, LOCK, PERR, SERR, STOP, and TRDY. The resistor values may need to be adjusted stronger to reduce induced noise on specific board designs.

The following pins have internal pull-up resistors enabled at all times: $\overline{\text{REQ}}[3:0]$, REQ4/DA4, TCK, TDI, TMS, and $\overline{\text{TRST}}$. See Table 1 on page 6 for more information.

The following pins have internal pull-up resistors enabled only while device is in the reset state:

$\overline{\text{GNT4/DA5}}$, MDL0, $\overline{\text{FOE}}$, $\overline{\text{RCS0}}$, $\overline{\text{SDRAS}}$, $\overline{\text{SDCAS}}$, CKE, $\overline{\text{AS}}$, $\overline{\text{MCP}}$, MAA[0:2], PMAA[0:2], and $\overline{\text{QACK/DA0}}$. See Table 1 on page 6 for more information.

The following pins are reset configuration pins: $\overline{\text{GNT4/DA5}}$, $\overline{\text{MDL[0]}}$, $\overline{\text{FOE}}$, $\overline{\text{RCS0}}$, $\overline{\text{CKE}}$, $\overline{\text{AS}}$, $\overline{\text{MCP}}$, $\overline{\text{QACK/DA0}}$, $\overline{\text{MAA[0:2]}}$, $\overline{\text{PMAA[0:2]}}$, $\overline{\text{SDMA[1:0]}}$, $\overline{\text{MDH[16:31]}}$, and $\overline{\text{PLL_CFG[0:4]/DA[10:15]}}$. These pins are sampled during reset to configure the device. The $\overline{\text{PLL_CFG[0:4]}}$ signals are sampled a few clocks after the negation of $\overline{\text{HRST_CPU}}$ and $\overline{\text{HRST_CTRL}}$.

Reset configuration pins should be tied to GND via 1 k Ω pull-down resistors to ensure a logic zero level is read into the configuration bits during reset if the default logic-one level is not desired.

Any other unused active low input pins should be tied to a logic-one level via weak pull-up resistors (2 k Ω – 10 k Ω) to the appropriate power supply listed in Table 1 on page 6. Unused active high input pins should be tied to GND via weak pull-down resistors (2 k Ω – 10 k Ω).

PCI Reference Voltage – LV_{DD}

The PC8245 PCI reference voltage (LV_{DD}) pins should be connected to 3.3 \pm 0.3V power supply if interfacing the PC8245 into a 3.3V PCI bus system. Similarly, the LV_{DD} pins should be connected to 5.0V \pm 5% power supply if interfacing the PC8245 into a 5V PCI bus system. For either reference voltage, the PC8245 always performs 3.3V signaling as described in the PCI Local Bus Specification (Rev. 2.2). The PC8245 tolerates 5V signals when interfaced into a 5V PCI bus system.

PC8245 Compatibility with PC8240

The PC8245 AC timing specifications are backwards-compatible with those of the PC8240, except for the requirements of item 11 in Table 9 on page 31. Timing adjustments are needed as specified for T_{OS} (SDRAM_SYNC_IN to *sys_logic_clk* offset) time requirements.

The PC8245 does not support the SDRAM flow-through memory interface.

The nominal core V_{DD} power supply changes from 2.5V on the PC8240 to 1.8/2.0V on the PC8245. See Table “Recommended Operating Conditions” on page 12 for details.

The PC8245 PLL_CFG[0:4] setting 0x02 (0b00010) has a different ‘PCI to Mem’ and ‘Mem to CPU’ multiplier ratio than the same setting on the PC8240, and thus, is not backwards-compatible. See Table 16 on page 45 for details.

The PC8245 PLL_CFG[0:4] settings 0x08 (0b01000), 0x0C (0b01100), 0x12 (0b10010), 0x18 (0b11000), 0x1C (0b11100), and 0x1D (0b11101) are capable of accepting a subset of the PCI_SYNC_IN input frequency range of that of the PC8240, and thus, may not be fully backwards-compatible. See Table 16 on page 45 for details.

There are two additional reset configuration signals on the PC8245 which are not used as reset configuration signals on the PC8240: SDMA0 and SDMA1.

The SDMA0 reset configuration pin selects between the PC8245 DUART or the PC8240 backwards compatible mode PCI_CLK[0:4] functionality on these multiplexed signals. The default state (logic 1) of SDMA0 selects the PC8240 backwards compatible mode of PCI_CLK[0:4] functionality while a logic 0 state on the SDMA0 signal selects DUART functionality. Note if using the DUART mode, four of the five PCI clocks, PCI_CLK[0:3], are not available.

The SDMA1 reset configuration pin selects between PC8245 extended ROM functionality or PC8240 backwards-compatible functionality on the multiplexed signals: TBEN, $\overline{\text{CHKSTOP_IN}}$, $\overline{\text{SRESET}}$, TRIG_IN, and TRIG_OUT. The default state (logic 1) of SDMA1 selects the PC8240 backwards compatible mode functionality, while a logic 0 state on the SDMA1 signal selects extended ROM functionality. Note if using the extended ROM mode, TBEN, $\overline{\text{CHKSTOP_IN}}$, $\overline{\text{SRESET}}$, TRIG_IN, and TRIG_OUT functionality are not available.

The driver names and capability of the pins for the PC8245 and that of the PC8240 vary slightly. Please refer to the Drive Capability table (for the ODCR register at 0x73) in the PC8240 Integrated Processor Hardware Specifications and Table 5 on page 24 for more details.

The programmable PCI output valid and output hold feature controlled by bits in the power management configuration register 2 (PMCR2) <0x72> has changed slightly in the PC8245. For the PC8240, three bits, PMCR2[6:4] = PCI_HOLD_DEL, are used to select one of eight possible PCI output timing configurations. PMCR2[6:5] are software controllable but initially are set by the reset configuration state of the \overline{MCP} and CKE signals, respectively; PMCR2[4] can be changed by software. The default configuration for PMCR2[6:4] = 0b110 since the \overline{MCP} and CKE signals have internal pull-up resistors, but this default configuration does not select 33 or 66 MHz PCI operation output timing parameters for the PC8240; this choice is made by software. For the PC8245, only 2 bits in the power management configuration register 2 (PMCR2), PMCR2[5:4] = PCI_HOLD_DEL, control the variable PCI output timing. PMCR2[5:4] are software controllable but initially are set by the inverted reset configuration state of the \overline{MCP} and CKE signals, respectively. The default configuration for PMCR2[5:4] = 0b00 since the \overline{MCP} and CKE signals have internal pull-up resistors and the values from these signals are inverted; this default configuration selects 66 MHz PCI operation output timing parameters. There are four programmable PCI output timing configurations on the PC8245, see Table 10 on page 33 for details.

Voltage sequencing requirements for the PC8245 are similar to those for the PC8240; however, there are two changes which are applicable for the PC8245. First, there is an additional requirement for the PC8245 that the non-PCI input voltages (V_{IN}) must not be greater than GV_{DD} or OV_{DD} by more than 0.6V at all times including during power-on reset (see caution 5 in Table “Recommended Operating Conditions” on page 12). Second, for the PC8245, LV_{DD} must not exceed OV_{DD} by more than 3.0V at any time including during power-on reset (see caution 10 in Table “Recommended Operating Conditions” on page 12); the allowable separation between LV_{DD} and OV_{DD} is 3.6V for the PC8240.

There is no LAV_{DD} input voltage supply signal on the PC8245 since the SDRAM clock delay-locked loop (DLL) has power supplied internally. Signal D17 should be treated as a no connect for the PC8245.

JTAG Configuration Signals

Boundary scan testing is enabled through the JTAG interface signals. The $\overline{\text{TRST}}$ signal is optional in the IEEE 1149.1 specification, but is provided on all processors that implement the PowerPC architecture. While it is possible to force the TAP controller to the reset state using only the TCK and TMS signals, more reliable power-on reset performance will be obtained if the $\overline{\text{TRST}}$ signal is asserted during power-on reset. Because the JTAG interface is also used for accessing the common on-chip processor (COP) function, simply tying $\overline{\text{TRST}}$ to $\overline{\text{HRESET}}$ is not practical.

The COP function of these processors allows a remote computer system (typically, a PC with dedicated hardware and debugging software) to access and control the internal operations of the processor. The COP interface connects primarily through the JTAG port of the processor, with some additional status monitoring signals. The COP port requires the ability to independently assert $\overline{\text{HRESET}}$ or $\overline{\text{TRST}}$ in order to fully control the processor. If the target system has independent reset sources, such as voltage monitors, watchdog timers, power supply failures, or push-button switches, then the COP reset signals must be merged into these signals with logic.

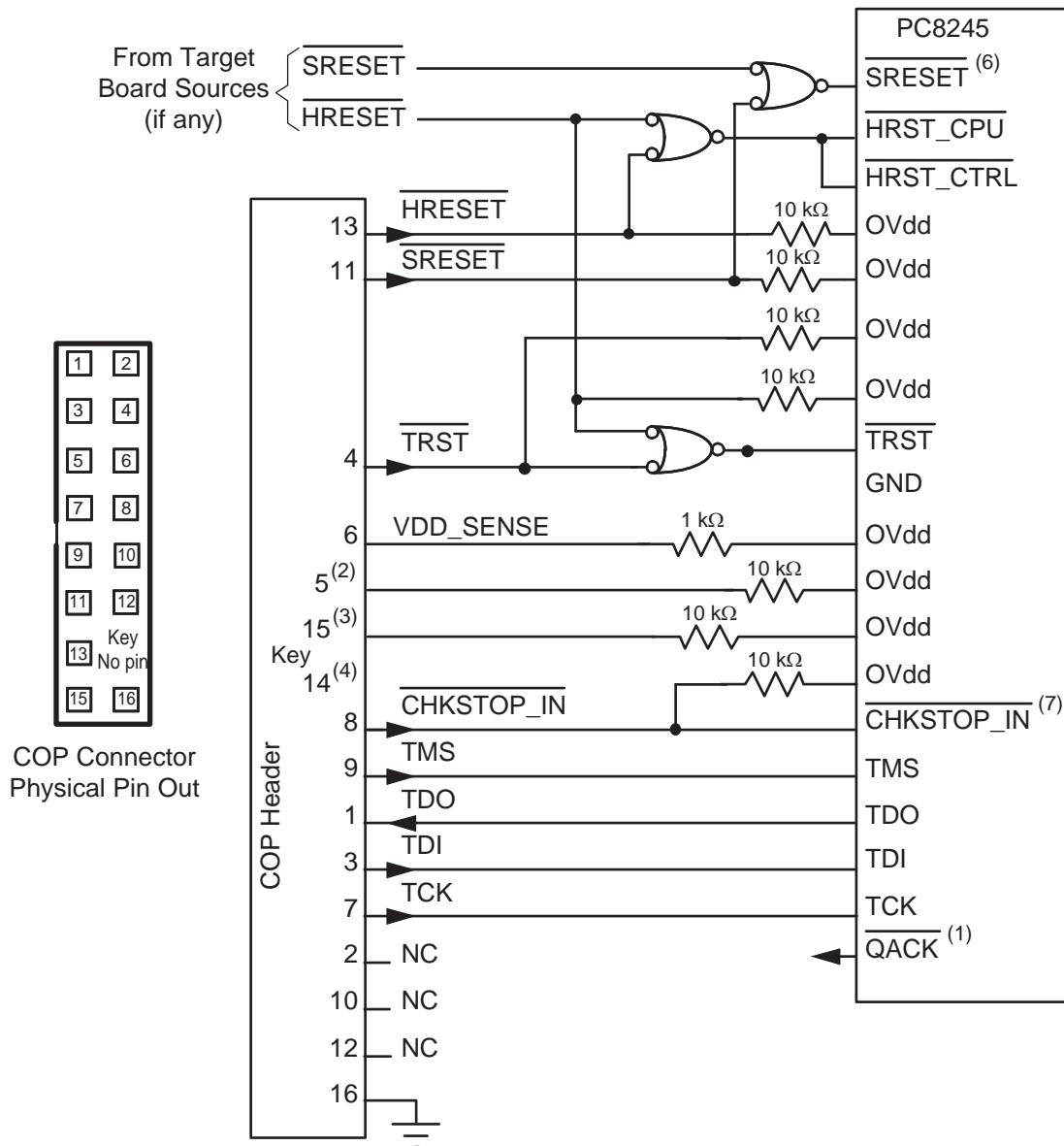
The arrangement shown in Figure 30 on page 54 allows the COP to independently assert $\overline{\text{HRESET}}$ or $\overline{\text{TRST}}$, while ensuring that the target can drive $\overline{\text{HRESET}}$ as well. If the JTAG interface and COP header will not be used, $\overline{\text{TRST}}$ should be tied to $\overline{\text{HRESET}}$ so that it is asserted when the system reset signal ($\overline{\text{HRESET}}$) is asserted ensuring that the JTAG scan chain is initialized during power-on.

The COP header shown in Figure 30 on page 54 adds many benefits — breakpoints, watchpoints, register and memory examination/modification, and other standard debugger features are possible through this interface — and can be as inexpensive as an unpopulated footprint for a header to be added when needed.

The COP interface has a standard header for connection to the target system, based on the 0.025" square-post, 0.100" centered header assembly (often called a Berg header).

There is no standardized way to number the COP header shown in Figure 30 on page 54; consequently, many different pin numbers have been observed from emulator vendors. Some are numbered top-to-bottom then left-to-right, while others use left-to-right then top-to-bottom, while still others number the pins counter clockwise from pin 1 (as with an IC). Regardless of the numbering, the signal placement recommended in Figure 30 on page 54 is common to all known emulators.

Figure 30. COP Connector Diagram



1. \overline{QACK} is an output on the PC8245 and is not required at the COP header for emulation.
2. $\overline{RUN/STOP}$ normally found on pin 5 of the COP header is not implemented on the PC8245. Connect pin 5 of the COP header to OV_{DD} with a 1 k Ω pull-up resistor.
3. $\overline{CKSTP_OUT}$ normally found on pin 15 of the COP header is not implemented on the PC8245. Connect pin 15 of the COP header to OV_{DD} with a 10 k Ω pull-up resistor.
4. Pin 14 is not physically present on the COP header.
5. Component not populated.
6. \overline{SRESET} functions as output SDMA12 in extended ROM mode.
7. $\overline{CHKSTOP_IN}$ functions as output SDMA14 in extended ROM mode.

Document Revision History

Table 19 provides a revision history for this hardware specification.

Table 18. Revision History

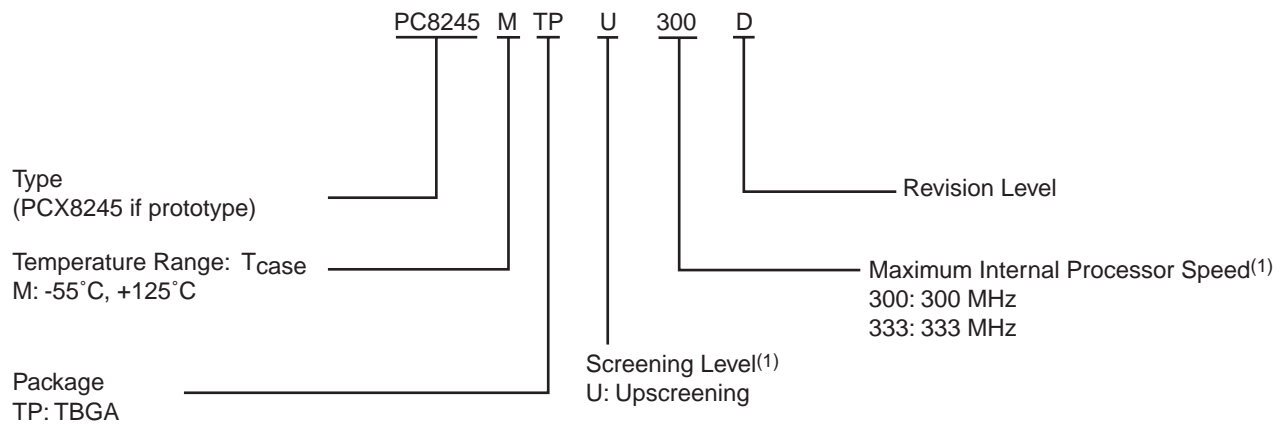
| Revision Number | Substantive Change(s) |
|-----------------|---|
| 2171A | Alpha site release |
| 2171B | <p>Updated document template.</p> <p>Section "Output Driver Characteristic" on page 24 — Changed the driver type names in Table 2 on page 14 to match with the names used in the "MPC8245 User's Manual".</p> <p>Section "Pinout Listing" on page 6 — Updated driver type names for signals in Table 1 on page 6 to match with names used in the "MPC8245 Integrated Processor User's Manual".</p> <p>Section "Recommended Operating Conditions" on page 12 — Updated Table 6 on page 25 to refer to new PLL Tables for VCO limits.</p> <p>Section "Output AC Timing Specification" on page 33 — Added item 12e to Table 10 on page 33 for SDRAM_SYNC_IN to Output Valid timing.</p> <p>Section "Package Parameters for the PC8245" on page 43 — Updated Solder Balls information to 62Sn/36PB/2Ag.</p> <p>Section "PLL Configuration" on page 45 — Updated PLL Table 16 on page 45 and Table 17 on page 47 and appropriate notes to reflect changes of VCO ranges for memory and CPU frequencies.</p> <p>Section "System Design Information" on page 49 — Updated voltage sequencing requirements in Table "Recommended Operating Conditions" on page 12 and removed Section "Power Supply Sizing" on page 49.</p> <p>Section "JTAG Configuration Signals" on page 53 — Updated TRST information and Figure 30 on page 54.</p> <p>New Section "Power Supply Sizing" on page 49 — Updated the range of I/O power consumption numbers for OVDD and GVDD to correct values as in Table 3 on page 22. Updated fastest frequency combination to 66:100:350 MHz.</p> <p>Section "Thermal Management Information" on page 15 — Updated list for Heat Sink and Thermal Interface vendors.</p> <p>Section "Ordering Information" on page 56 — Changed format of Ordering Information section. Added tables to reflect part number specifications also available.</p> |
| 2171C | <p>Globally changed EPIC to PIC</p> <p>Section "Output Driver Characteristic" on page 24 — Note 5: Changed register reference from 0x72 to 0x73</p> <p>Section "Power Characteristics" on page 22 — Table 3: Updated power dissipation numbers based on latest characterization data</p> <p>Section "Thermal Characteristics" on page 14 — Table 2 on page 14: Updated table to show more thermal specifications.</p> <p>Section "AC Electrical Characteristics" on page 24 — Table 6 on page 25: Updated minimum memory bus value to 50 MHz.</p> <p>Section "Clock AC Specifications" on page 25 — Changed equations for DLL locking range based on characterization data. Added updates and reference to AN2164 for note 6. Added table defining Tdp parameters. Labeled N value in Figure 9 on page 27 through Figure 12 on page 30.</p> <p>Section "Input AC Timing Specifications" on page 31 — Table 9 on page 31: Changed bit definitions for tap points. Updated note on Tos and added reference to AN2164 for note 7. Updated Figure 13 on page 32 to show significance of Tos.</p> <p>Section "I2C AC Timing Specifications" on page 36 — Added column for SDRAM_CLK at 133 MHz</p> <p>Sections "Package Parameters for the PC8245" on page 43 and "Pin Assignments and Package Dimensions" on page 44 — Corrected packaging information to state TBGA packaging.</p> <p>Section "Pinout Listing" on page 6 — Corrected some signals in Table 15 on page 41 which were missing overbars in the Rev 1.0 release of the document.</p> <p>Section "PLL Configuration" on page 45 — Updated note 10 of Table 16 on page 45 and Table 17 on page 47.</p> <p>Section "Decoupling Recommendations" on page 49 — Changed sentence recommendation regarding decoupling capacitors.</p> <p>Section "Ordering Information" — Updated format of tables in Ordering Information section.</p> |
| 2171D | Product specification release subsequent to product qualification |

Differences with Commercial Part

Table 19. Differences with commercial part

| | Commercial Part | Industrial Part | Military Part |
|-------------------|----------------------------------|------------------------------------|--|
| Temperature range | $T_c = 0$ to 105°C | $T_c = -40$ to 110°C | $T_c = -55^\circ\text{C}$ to 125°C |

Ordering Information



Note: 1. For availability of the different versions, contact your ATMEL sale office.

Definitions

Datasheet Status Description

Table 20. Datasheet Status

| Datasheet Status | | Validity |
|--|---|--|
| Objective specification | This datasheet contains target and goal specifications for discussion with the customer and application validation | Before design phase |
| Target specification | This datasheet contains target or goal specifications for product development | Valid during the design phase |
| Preliminary specification α -site | This datasheet contains preliminary data. Additional data may be published at a later date and could include simulation results | Valid before characterization phase |
| Preliminary specification β -site | This datasheet also contains characterization results | Valid before the industrialization phase |
| Product specification | This datasheet contains final product specifications | Valid for production purposes |
| Limiting Values | | |
| Limiting values given are in accordance with the Absolute Maximum Rating System (IEC 134). Stresses above one or more of the limiting values may cause permanent damage to the device. These are stress ratings only and operation of the device at these or at any other conditions above those given in the Characteristics sections of the specification is not implied. Exposure to limiting values for extended periods may affect device reliability | | |
| Application Information | | |
| Where application information is given, it is advisory and does not form part of the specification | | |

Life Support Applications

These products are not designed for use in life support appliances, devices or systems where malfunction of these products can reasonably be expected to result in personal injury. Atmel customers using or selling these products for use in such applications do so at their own risk and agree to fully indemnify Atmel for any damages resulting from such improper use or sale.

Table of Contents

| | |
|---|-----------|
| Features | 1 |
| Description | 1 |
| Screening/Quality/Packaging | 1 |
| General Description | 2 |
| Block Diagram | 2 |
| General Parameters | 3 |
| Features | 3 |
| Pinout Listing | 6 |
| Electrical and Thermal Characteristics | 11 |
| DC Electrical Characteristics | 11 |
| Absolute Maximum Ratings | 11 |
| Recommended Operating Conditions | 12 |
| Thermal Characteristics | 14 |
| Thermal Management Information | 15 |
| Internal Package Conduction Resistance | 18 |
| Adhesives and Thermal Interface Materials | 18 |
| Power Characteristics | 22 |
| DC Electrical Characteristics | 23 |
| Static Characteristics | 23 |
| Output Driver Characteristic | 24 |
| AC Electrical Characteristics | 24 |
| Clock AC Specifications | 25 |
| Input AC Timing Specifications | 31 |
| Output AC Timing Specification | 33 |
| I ² C AC Timing Specifications | 36 |
| EPIC Serial Interrupt Mode AC Timing Specifications | 40 |
| IEEE 1149.1 (JTAG) AC Timing Specifications | 41 |
| Package Description | 43 |
| Package Parameters for the PC8245 | 43 |
| Pin Assignments and Package Dimensions | 44 |
| PLL Configuration | 45 |
| System Design Information | 49 |
| PLL Power Supply Filtering | 49 |
| Power Supply Sizing | 49 |
| Decoupling Recommendations | 49 |
| Connection Recommendations | 50 |
| Pull-up/Pull-down Resistor Requirements | 50 |
| PCI Reference Voltage – LV _{DD} | 51 |



PC8245 Compatibility with PC8240 51
JTAG Configuration Signals 53

Document Revision History55

Differences with Commercial Part56

Ordering Information56

Definitions57

Datasheet Status Description57
Life Support Applications57



Atmel Corporation

2325 Orchard Parkway
San Jose, CA 95131, USA
Tel: 1(408) 441-0311
Fax: 1(408) 487-2600

Regional Headquarters

Europe

Atmel Sarl
Route des Arsenalux 41
Case Postale 80
CH-1705 Fribourg
Switzerland
Tel: (41) 26-426-5555
Fax: (41) 26-426-5500

Asia

Room 1219
Chinachem Golden Plaza
77 Mody Road Tsimshatsui
East Kowloon
Hong Kong
Tel: (852) 2721-9778
Fax: (852) 2722-1369

Japan

9F, Tonetsu Shinkawa Bldg.
1-24-8 Shinkawa
Chuo-ku, Tokyo 104-0033
Japan
Tel: (81) 3-3523-3551
Fax: (81) 3-3523-7581

Atmel Operations

Memory

2325 Orchard Parkway
San Jose, CA 95131, USA
Tel: 1(408) 441-0311
Fax: 1(408) 436-4314

Microcontrollers

2325 Orchard Parkway
San Jose, CA 95131, USA
Tel: 1(408) 441-0311
Fax: 1(408) 436-4314

La Chantrerie
BP 70602
44306 Nantes Cedex 3, France
Tel: (33) 2-40-18-18-18
Fax: (33) 2-40-18-19-60

ASIC/ASSP/Smart Cards

Zone Industrielle
13106 Rousset Cedex, France
Tel: (33) 4-42-53-60-00
Fax: (33) 4-42-53-60-01

1150 East Cheyenne Mtn. Blvd.
Colorado Springs, CO 80906, USA
Tel: 1(719) 576-3300
Fax: 1(719) 540-1759

Scottish Enterprise Technology Park
Maxwell Building
East Kilbride G75 0QR, Scotland
Tel: (44) 1355-803-000
Fax: (44) 1355-242-743

RF/Automotive

Theresienstrasse 2
Postfach 3535
74025 Heilbronn, Germany
Tel: (49) 71-31-67-0
Fax: (49) 71-31-67-2340

1150 East Cheyenne Mtn. Blvd.
Colorado Springs, CO 80906, USA
Tel: 1(719) 576-3300
Fax: 1(719) 540-1759

Biometrics/Imaging/Hi-Rel MPU/ High Speed Converters/RF Datacom

Avenue de Rochepleine
BP 123
38521 Saint-Egreve Cedex, France
Tel: (33) 4-76-58-30-00
Fax: (33) 4-76-58-34-80

Literature Requests

www.atmel.com/literature

Disclaimer: Atmel Corporation makes no warranty for the use of its products, other than those expressly contained in the Company's standard warranty which is detailed in Atmel's Terms and Conditions located on the Company's web site. The Company assumes no responsibility for any errors which may appear in this document, reserves the right to change devices or specifications detailed herein at any time without notice, and does not make any commitment to update the information contained herein. No licenses to patents or other intellectual property of Atmel are granted by the Company in connection with the sale of Atmel products, expressly or by implication. Atmel's products are not authorized for use as critical components in life support devices or systems.

© Atmel Corporation 2004. All rights reserved. Atmel® and combinations thereof are the registered trademarks of Atmel Corporation or its subsidiaries. Motorola® is the registered trademark of Motorola, Inc. PowerPC® is the registered trademark of IBM Corp. Other terms and product names may be the trademarks of others.



Printed on recycled paper.

2171D-HIREL-06/04

