

## Push-on Semi-Rigid and Semi-Flexible Cable Type Connectors



- The PDM series is a connector changed from the screw lock method of the SMA connector to pushing on the method.
- Because the connector can be detached in one-touch, operativeness is good.
- The plug connector is strong in the chape in the closed entry structure.

### SPECIFICATION

|                                 |                                |
|---------------------------------|--------------------------------|
| Characteristic Impedance        | 50 $\Omega$                    |
| Dielectric withstanding voltage | 1000V AC (rms) for 1 minute    |
| Insulation resistance           | 1000M $\Omega$ min. at 500V DC |
| Contact resistance              | 3m $\Omega$ max.               |
| Applicable Cable                | UT-85,UT-141A                  |
| VSWR                            | 1.3max. at DC~3GHz             |

Specifications depends on each connector although these are basic specifications.

### MATERIAL/FINISH

|            |                             |
|------------|-----------------------------|
| Contact    | Copper alloy/Gold plating   |
| Insulators | PTFE                        |
| Shell      | Copper alloy/Nickel plating |

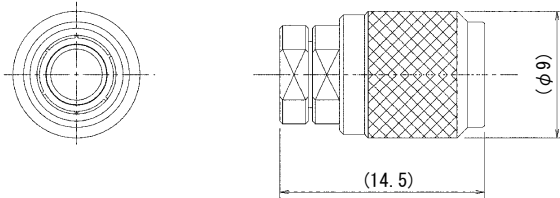
### Pull-out Tool

P/N:357J-14474

Please ask us for the cable assemblies to assure its performance.

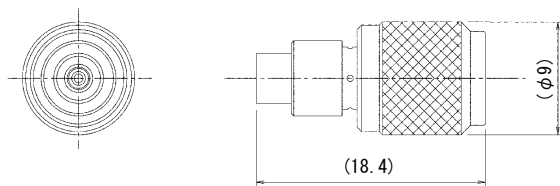
## ■ Plug Connector

### Semi-Rigid and Semi-Flexible Cable Type

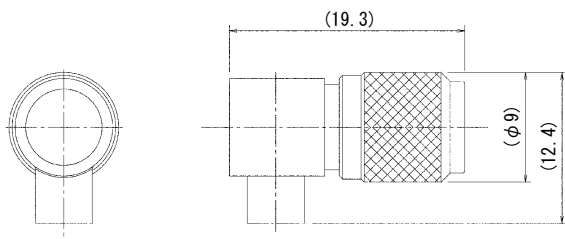


| P/N           | Applicable Cable  |
|---------------|-------------------|
| PDM-SP-141-SO | UT-141A , FCCAVG0 |

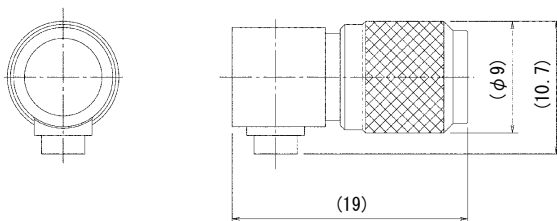
Note:without center contact.



| P/N          | Applicable Cable |
|--------------|------------------|
| PDM-SP-85-SO | UT-85 , FCCAVG1  |



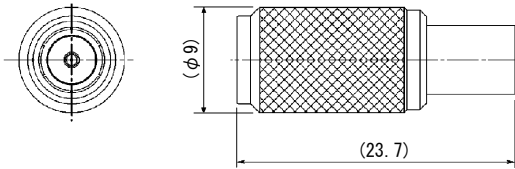
| P/N           | Applicable Cable  |
|---------------|-------------------|
| PDM-LP-141-SO | UT-141A , FCCAVG0 |



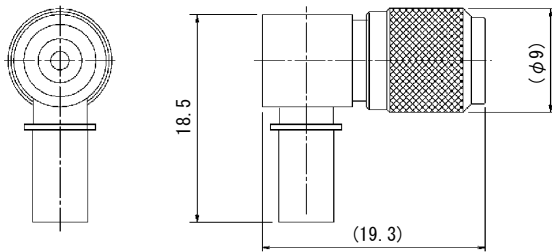
| P/N          | Applicable Cable |
|--------------|------------------|
| PDM-LP-85-SO | UT-85 , FCCAVG1  |

## ■ Plug Connector

### Crimp Type



| P/N                | Applicable Cable | Hand Crimp Tool P/N |
|--------------------|------------------|---------------------|
| PDM-SP-1.5DW-CR1   | 1.5D-QEW         | CR-H-1156           |
| PDM-SP-2.5DHQS-CR1 | 2.5D-HQ · SUPER  | CR-H-1163           |
|                    | 2.6D-XFU-A       |                     |

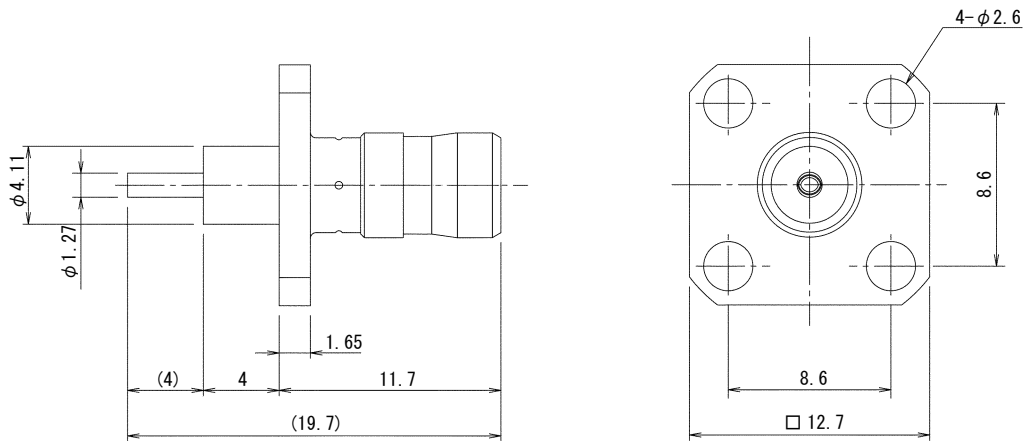


| P/N              | Applicable Cable | Hand Crimp Tool P/N |
|------------------|------------------|---------------------|
| PDM-LP-1.5DW-CR1 | 1.5D-QEW         | CR-H-1156           |
| PDM-LP-2.5DV-CR1 | 2.5D-2V          | CR-H-1163           |

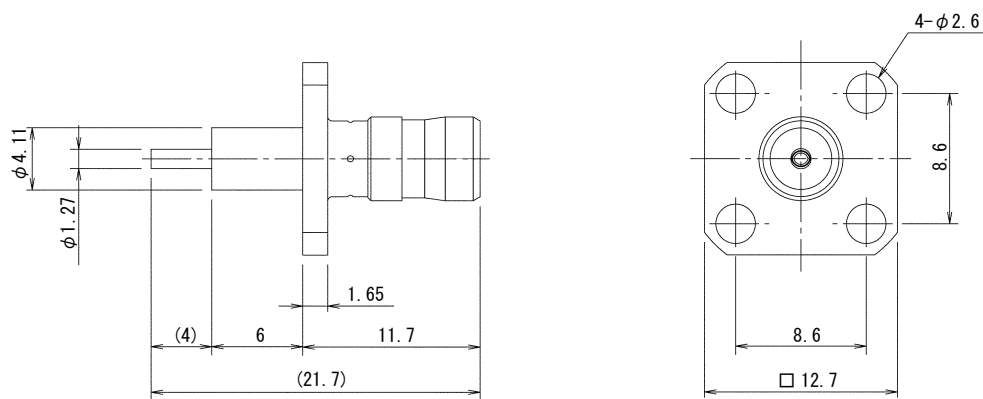
## ■ Receptacle Connector

### Panel Mounting Type/Four Hole

#### PDM-SR



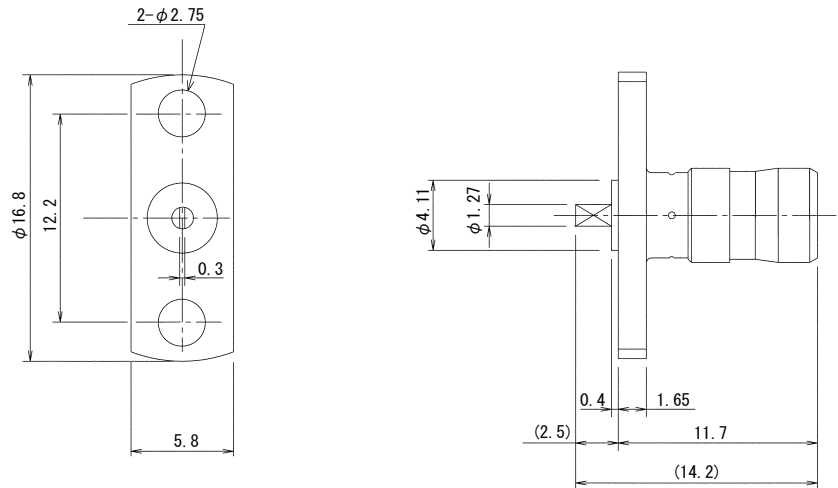
#### PDM-SR-7



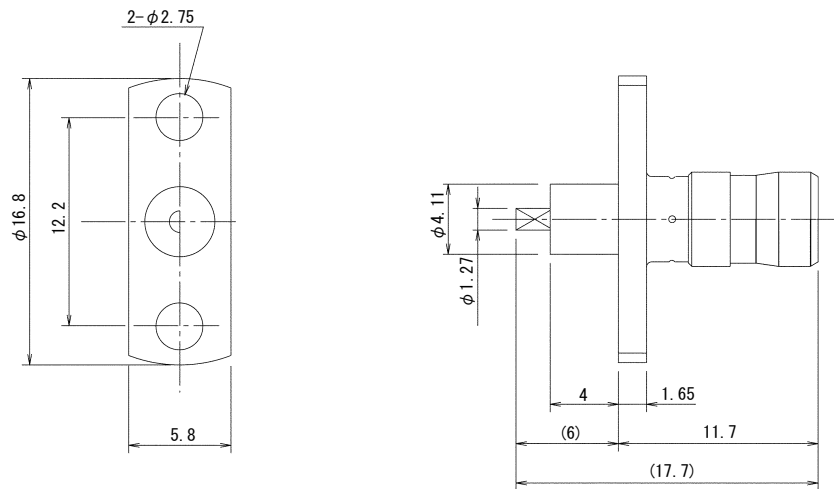
## Receptacle Connector

### Panel Mounting Type/Two Hole

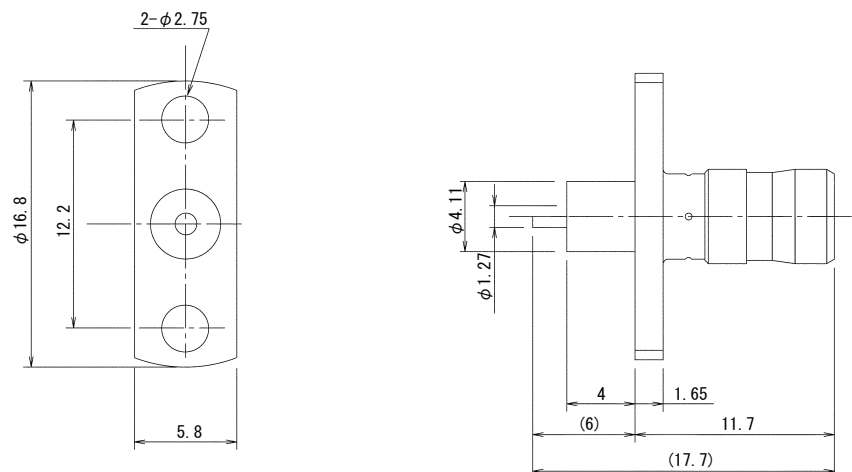
#### PDM-SR2



#### PDM-SR2-D1

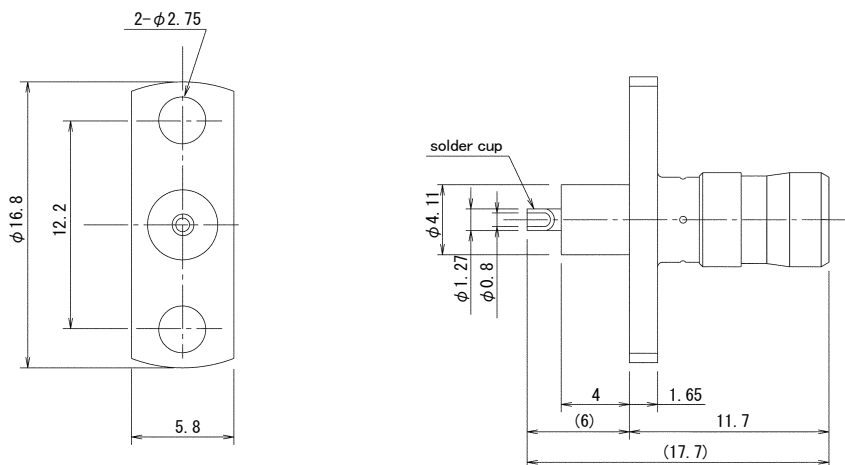


#### PDM-SR2-D4

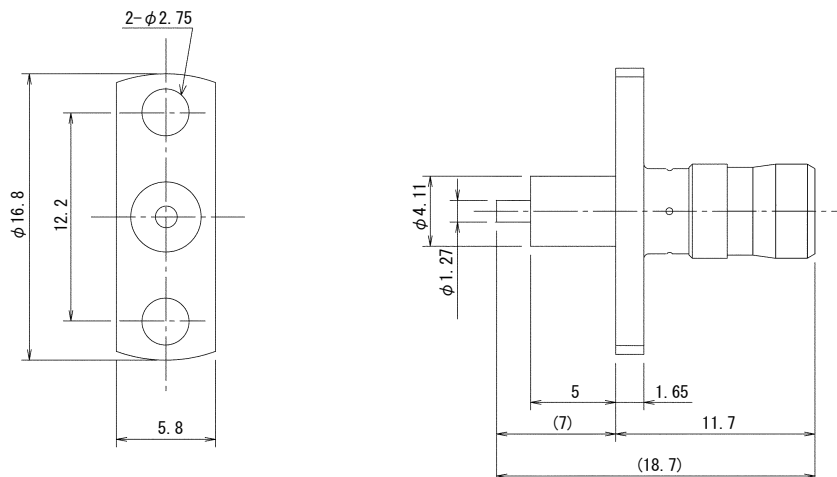


## ■ Receptacle Connector

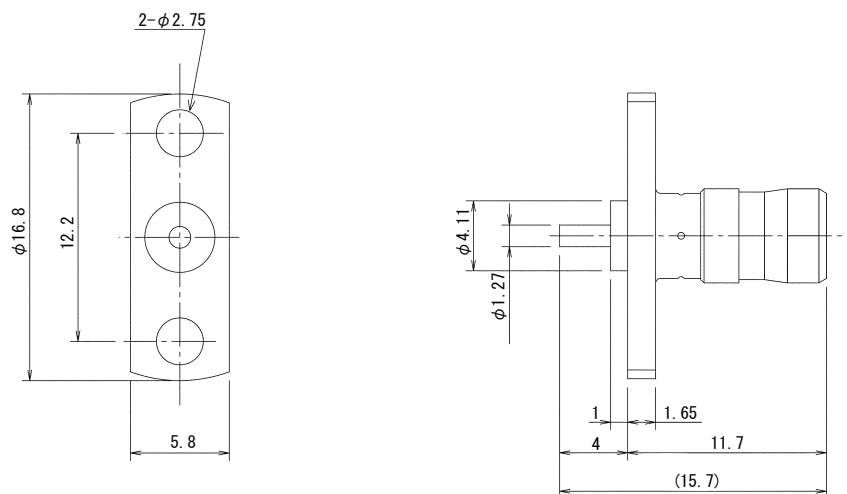
### PDM-SR2-1



### PDM-SR2-2



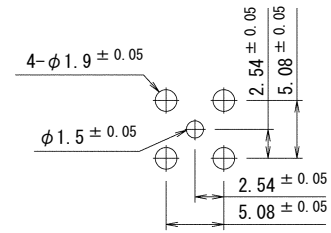
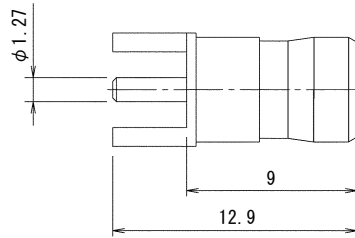
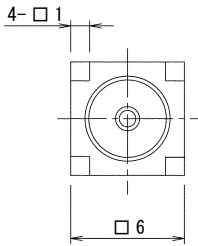
### PDM-SR2-5



## ■ Receptacle Connector

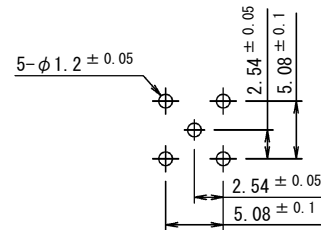
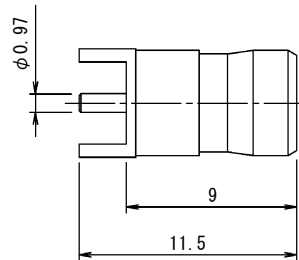
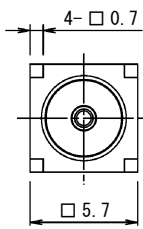
### PBC DIP Type

#### PDM-SR-PC



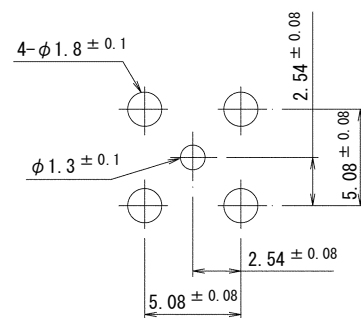
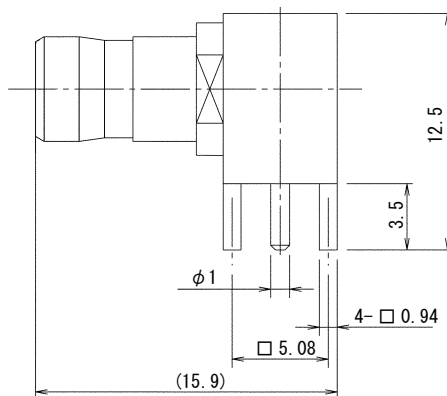
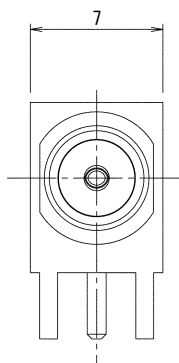
PCB Mounting Dimensions

#### PDM-SR-PC-D2



PCB Mounting Dimensions

#### PDM-LR-PC



PCB Mounting Dimensions