

Features

- High-density 4 megabyte Static RAM module
- Low profile 72-pin ZIP (Zig-zag In-line vertical Package) or 72-pin SIMM and Angled SIMM (Single In-line Memory Module)
- Fast access time: 15ns (max.)
- Surface mounted plastic components on an epoxy laminate (FR-4) substrate Single 5V ($\pm 10\%$) power supply
- Multiple V_{SS} pins and decoupling capacitors for maximum noise immunity
- Inputs/outputs directly TTL compatible

Description

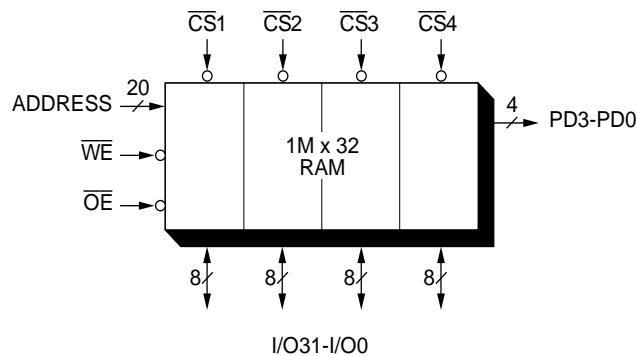
The PDM4M4120 is a 1M x 32 static RAM module constructed on an epoxy laminate (FR-4) substrate using eight 1M x 4 static RAMs in plastic SOJ packages. Availability of four chip select lines (one for each of two RAMs) provides byte access. The PDM4M4120 is available with access times as fast as 15ns with minimal power consumption.

The PDM4M4120 is packaged in a 72-pin FR-4 ZIP (Zig-zag In-line vertical Package) or a 72-pin SIMM or Angled SIMM (Single In-line Memory Module). The ZIP configuration allows 72 pins to be placed on a package 3.950" long and 0.365" wide. At only 0.590" high, this low-profile package is ideal for systems with minimum board spacing. The SIMM configuration allows use of edge mounted sockets to secure the module.

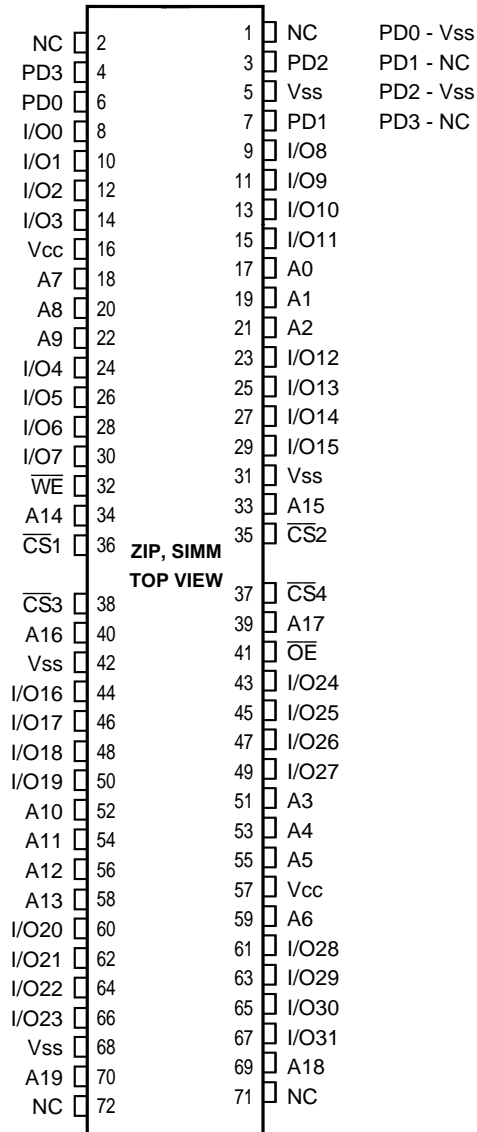
All inputs and outputs of the PDM4M4120 are TTL compatible and operate from a single 5V supply. Full asynchronous circuitry requires no clock or refresh for operation and provides equal access and cycle times for ease of use.

Four identification pins (PD0, PD1, PD2, PD3) are provided for applications in which different density versions of the module are used. In this way, the target system can read the respective levels of PD0, PD1, PD2, PD3 to determine a 1M depth.

Functional Block Diagram



Pin Configuration⁽¹⁾



Pin Assignment

Pin	Signal
I/O31-I/O0	Data Inputs/Outputs
A19-A0	Addresses
CS4-CS1	Chip Selects
WE	Write Enable
OE	Output Enable
PD3-PD0	Depth Identification
Vcc	Power
Vss	Ground

NOTE: 1. Pins 3, 4, 6, and 7 (PD0, PD1, PD02, and PD3 respectively) are read by the user to determine the density of the module. If PD0 reads V_{SS}, PD1 reads NC, PD2 reads V_{SS}, PD3 reads NC then the module has a 1M depth.

Truth Table

Mode	\overline{CS}	\overline{OE}	\overline{WE}	Output	Power
Deselect/ Power-down	H	X	X	High-Z	Standby
Read	L	L	H	DATA _{OUT}	Active
Write	L	X	L	DATA _N	Active
Deselect	L	H	H	High-Z	Active

Absolute Maximum Ratings⁽¹⁾

Symbol	Rating	Com'l.	Ind.	Unit
V _{TERM}	Terminal Voltage with Respect to V _{SS}	-0.5 to +7.0	-0.5 to +7.0	V
T _{BIAS}	Temperature Under Bias	-10 to +85	-10 to +85	°C
T _{STG}	Storage Temperature	-55 to +125	-65 to +150	°C
T _A	Operating Temperature	0 to +70	0 to +70	°C
P _T	Power Dissipation	1.0	1.0	W
I _{OUT}	DC Output Current	50	50	mA

NOTE: 1. Stresses greater than those listed under ABSOLUTE MAXIMUM RATINGS may cause permanent damage to the device. This is a stress rating only and functional operation of the device at these or any other conditions above those indicated in the operational sections of this specification is not implied. Exposure to absolute maximum rating conditions for extended periods may affect reliability.

Recommended DC Operating Conditions

Symbol	Parameter	Min.	Typ.	Max.	Unit
V _{CC}	Supply Voltage	4.75	5.0	5.25	V
V _{SS}	Supply Voltage	0	0	0	V
Commercial	Ambient Temperature	0	25	70	°C

DC Electrical Characteristics ($V_{CC} = 5.0V \pm 5\%$, $T_A = 0^\circ\text{C}$ to 70°C)

Symbol	Parameter	Test Conditions	Min.	Max.	Unit
I_{LI}	Input Leakage Current (Address)	$V_{CC} = \text{Max.}, V_{IN} = V_{SS}$ to V_{CC}	—	80	μA
I_{LI}	Input Leakage Current (Data)	$V_{CC} = \text{Max.}, V_{IN} = V_{SS}$ to V_{CC}	—	10	μA
I_{LO}	Output Leakage Current	$V_{OUT} = V_{SS}$ to $V_{CC}, V_{CC} = \text{Max.}, \overline{CS} = V_{IH}$	—	10	μA
V_{OL}	Output Low Voltage	$I_{OL} = 8 \text{ mA}, V_{CC} = \text{Min.}$	—	0.4	V
V_{OH}	Output High Voltage	$I_{OL} = -4 \text{ mA}, V_{CC} = \text{Min.}$	2.4	—	V
V_{IH}	Input High Voltage		2.2	6.0	V
V_{IL}	Input Low Voltage		-0.5 ⁽¹⁾	0.8	V

NOTE 1. $V_{IL} = -1.5V$ for pulse widths less than 10 ns, once per cycle.

Power Supply Characteristics

Symbol	Parameter	Max ⁽¹⁾	Unit
I_{CC}	Operating Current $\overline{CS} = V_{IL}, V_{CC} = \text{Max.}, f = f_{MAX}, \text{Outputs Open}$	1280	mA
I_{SB}	Standby Current $\overline{CS} \geq V_{IH}, V_{CC} = \text{Max.}, f = f_{MAX}, \text{Outputs Open}$	480	mA
I_{SB1}	Full Standby Current $\overline{CS} \geq V_{CC} - 0.2V,$ $f = 0, V_{IN} > V_{CC} - 0.2V$ or $< 0.2V, \text{Outputs Open}$	120	mA

NOTE 1. Preliminary specification only.

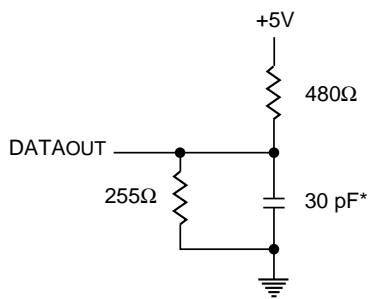
Capacitance⁽¹⁾ ($T_A = +25^\circ\text{C}, f = 1.0 \text{ MHz}$)

Symbol	Parameter	Max.	Unit
$C_{I/O}$	Data I/O Capacitance, $V_{IN} = 0V$	15	pF
$C_{IN(1)}$	Input Capacitance, (Address) $V_{IN} = 0V$	60	pF
$C_{IN(2)}$	Input Capacitance, ($\overline{WE}, \overline{OE}$) $V_{IN} = 0V$	75	pF
$C_{IN(3)}$	Input Capacitance, (\overline{CS}), $V_{IN} = 0V$	20	pF

NOTE 1. This parameter is determined by device characteristics but is not production tested.

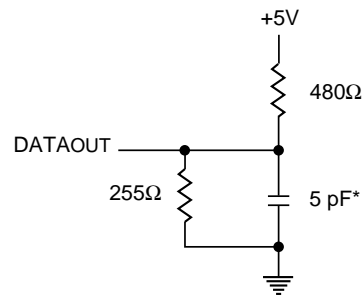
AC Test Conditions

Input Pulse Levels	V_{SS} to 3.0V
Input Rise/Fall Times	5 ns
Input Timing Reference Levels	1.5V
Output Reference Levels	1.5V
Output Load	See Figures 1 and 2



* Including scope and jig capacitances

Figure 1. Output Load



* Including scope and jig capacitances

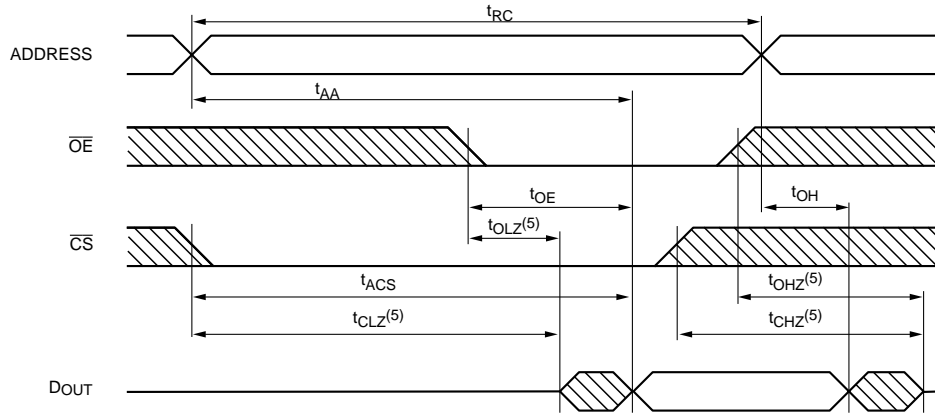
Figure 2. Output Load
(for tOHZ, tCHZ, tOLZ, and tCLZ)

AC Electrical Characteristics ($V_{CC} = 5V \pm 5\%$, $T_A = 0^{\circ}C$ to $+70^{\circ}C$)

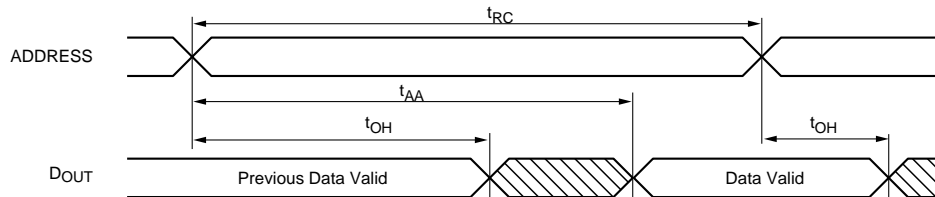
Symbol	Parameter	PDM4M4120SXXZ, PDM4M4120SXXM, PDM4M4120SXXAM						Unit
		-15 ns		-20 ns		-25 ns		
		Min.	Max.	Min.	Max.	Min.	Max.	
Read Cycle								
t_{RC}	Read Cycle Time	15	—	20	—	25	—	ns
t_{AA}	Address Access Time	—	15	—	20	—	25	ns
t_{ACS}	Chip Select Access Time	—	15	—	20	—	25	ns
$t_{CLZ}^{(1)}$	Chip Select to Output in Low-Z	3	—	3	—	3	—	ns
t_{OE}	Output Enable to Output Valid	—	8	—	10	—	15	ns
$t_{OLZ}^{(1)}$	Output Enable to Output in Low-Z	0	—	0	—	0	—	ns
$t_{CHZ}^{(1)}$	Chip Deselect to Output in High-Z	—	9	—	10	—	12	ns
$t_{OHZ}^{(1)}$	Output Disable to Output in High-Z	—	9	—	10	—	12	ns
t_{OH}	Output Hold from Address Change	3	—	3	—	3	—	ns
$t_{PU}^{(1)}$	Chip Select to Power-Up Time	0	—	0	—	0	—	ns
$t_{PD}^{(1)}$	Chip Deselect to Power-Down Time	—	15	—	20	—	25	ns
Write Cycle								
t_{WC}	Write Cycle Time	15	—	20	—	25	—	ns
t_{CW}	Chip Select to End of Write	12	—	17	—	20	—	ns
t_{AW}	Address Valid to End of Write	12	—	17	—	20	—	ns
t_{AS}	Address Setup Time	0	—	0	—	0	—	ns
t_{WP}	Write Pulse Width	12	—	15	—	20	—	ns
t_{WR}	Write Recovery Time	3	—	3	—	3	—	ns
$t_{WHZ}^{(1)}$	Write Enable to Output in High-Z	—	12	—	10	—	15	ns
t_{DW}	Data to Write Time Overlap	12	—	12	—	15	—	ns
t_{DH}	Data Hold from Write Time	0	—	0	—	0	—	ns
$t_{OW}^{(1)}$	Output Active from End of Write	0	—	0	—	0	—	ns

NOTE 1. This parameter is determined by device characteristics but is not production tested.

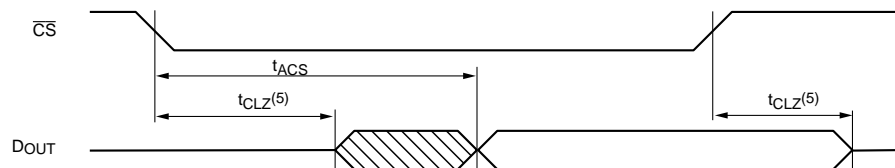
Timing Waveforms of Read Cycle No.1⁽¹⁾



Timing Waveforms of Read Cycle No.2^(1,2,4)

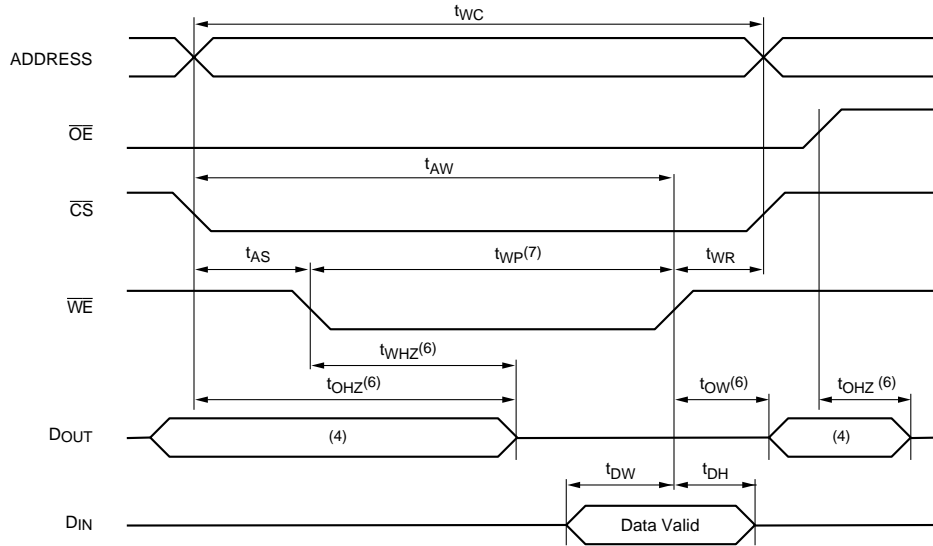


Timing Waveforms of Read Cycle No.3^(1,3,4)

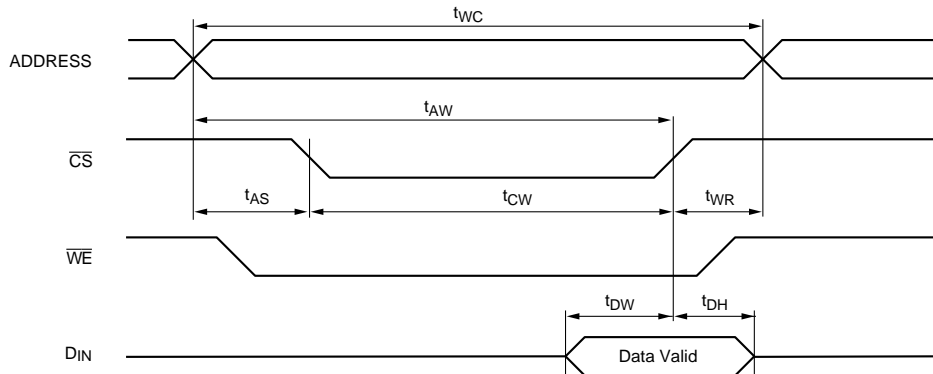


- NOTES
1. \overline{WE} is HIGH for Read Cycle.
 2. Device is continuously selected. $\overline{CS} = V_{IL}$.
 3. Address valid prior to or coincident with \overline{CS} transition LOW.
 4. $\overline{OE} = V_{IL}$.
 5. Transition is measured ± 200 mV for steady state. This parameter is determined by device characteristics but is not production tested.

Timing Waveforms of Write Cycle No.1 (\overline{WE} Controlled)^(1,2,3,7)



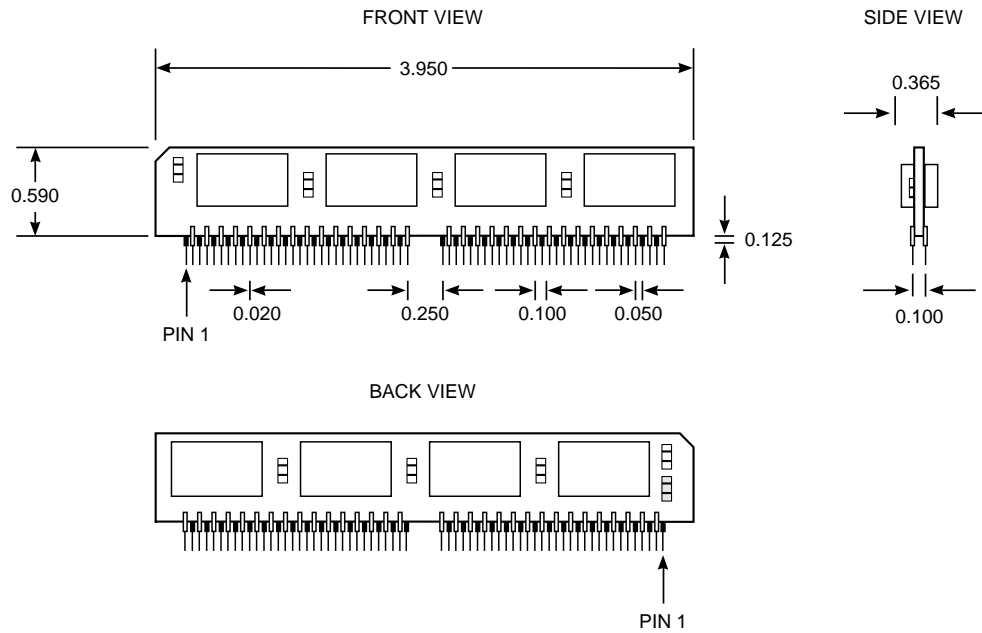
Timing Waveforms of Write Cycle No.2 (\overline{CS} Controlled)^(1,2,3,5)



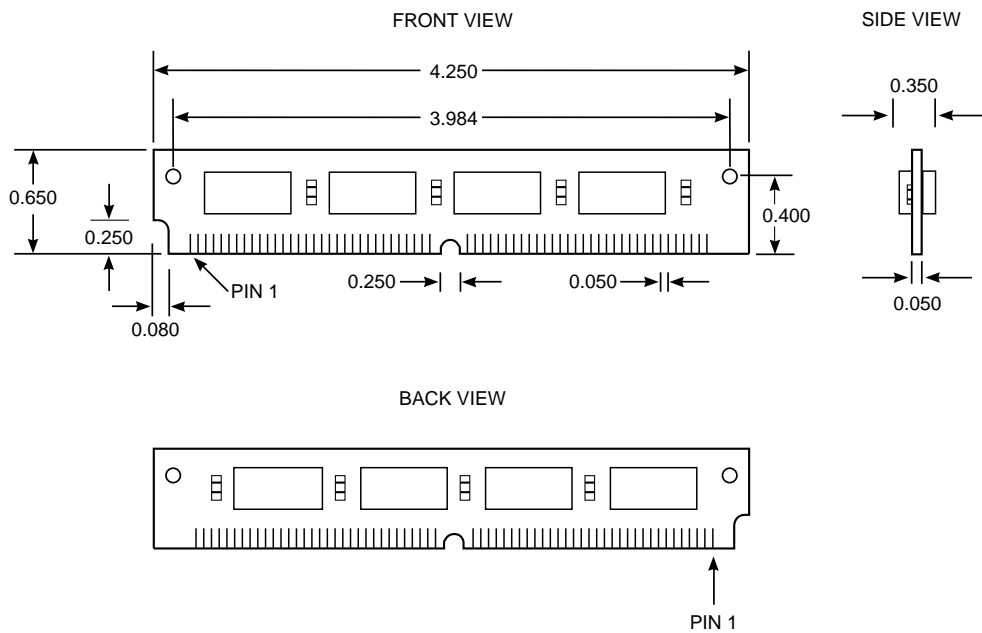
- NOTES
- 1 \overline{WE} or \overline{CS} must be HIGH during all address transitions.
 - 2 A write occurs during the overlap (t_{WP}) of a LOW \overline{CS} and a LOW \overline{WE} .
 - 3 t_{WR} is measured from the earlier of \overline{CS} or \overline{WE} going HIGH to end the write cycle.
 - 4 During this period, I/O pins are in the output state, and input signals must be applied.
 - 5 If the \overline{CS} LOW transition occurs simultaneously with or after the \overline{WE} LOW transition, the outputs remain in a high-impedance state.
 - 6 Transition is measured ± 200 mV for steady state with a 5 pF load (including scope and jig). This parameter is determined by device characteristics but is not production tested.
 - 7 If \overline{OE} is LOW during a \overline{WE} controlled write cycle, the write pulse width must be the larger of t_{WP} or ($t_{WHZ} + t_{DW}$) to allow the I/O drivers to turn off and data to be placed on the bus for the required t_{DW} . If \overline{OE} is HIGH during a \overline{WE} controlled write cycle, this requirement does not apply and the write pulse width can be as short as the specified t_{WP} .

Package Dimensions

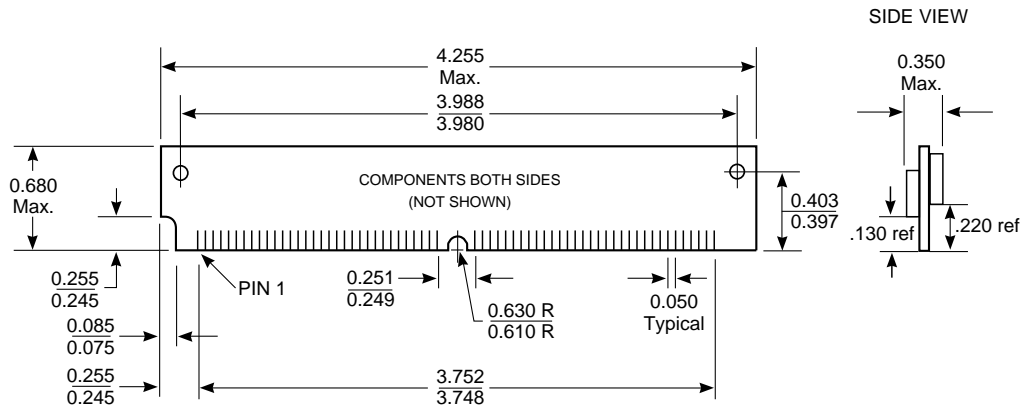
ZIP Version



SIMM Version



Angled SIMM Version



Ordering Information

PDM4M	XXXXXX	S	XX	X	X	
	Device	Power	Speed	Package	Temp	
						Blank Commercial (0 to 70°C)
				AM		72-pin Angled SIMM
				M		72-pin SIMM
				Z		72-pin ZIP
			15			Commercial
			20			
			25			
		S				Standard Power
	4120					1M x 32