



WR-10 PIN Diode SPST Waveguide Switch Operating From 75 GHz to 110 GHz W Band With UG-387/U Flange

Waveguide PIN Diode Switches Technical Data

PE71S9003

Features

- SPST Reflective Switch
- 75.0 GHz to 110.0 GHz
- W Band
- Insertion Loss 5.5 dB max
- Isolation 20 dB min

Applications

- Test & Measurement
- Military Communication
- Commercial Communication

Description

The PE71S9003 is a SPST Reflective Switch designed to operate over the 75.0 GHz to 110.0 GHz Frequency Range. Electrical performance includes 5.5 dB max insertion loss, -20 dB min isolation, and 300 nsec max switching speed. The design incorporates TTL-compatible driver circuitry for accurate logic control and dual voltage controls of +5 Vdc and -5 Vdc are required. The package interface uses solder terminals and SMA Female control connector and WR-10 Round Cover UG-387/U Flange.

Electrical Specifications

Design

SPST, Reflective

RF Characteristics (TA = +25°C, Vdc1=5V/20mA, Vdc2=-5V/20mA)

Description	Minimum	Typical	Maximum	Units
Frequency Range	75		110	GHz
Insertion Loss			5.5	dB
Isolation	20			dB
Switching Time			300	ns
Voltage Supply 1		5		V
Voltage Supply 2		-5		V
Current @5 V		20		mA
Current @-5 V		20		mA

Click the following link (or enter part number in "SEARCH" on website) to obtain additional part information including price, inventory and certifications: [WR-10 PIN Diode SPST Waveguide Switch Operating From 75 GHz to 110 GHz W Band With UG-387/U Flange PE71S9003](#)





WR-10 PIN Diode SPST Waveguide Switch Operating From
75 GHz to 110 GHz W Band With UG-387/U Flange

Waveguide PIN Diode Switches Technical Data

PE71S9003

Mechanical Specifications

Size

Length	2.57 in [65.28 mm]
Width	1.2 in [30.48 mm]
Height	0.6 in [15.24 mm]
Weight	0.15 lbs [68.04 g]

Configuration

Control Connector	SMA Female
Waveguide Size	WR-10
Flange Type	UG-387/U

Environmental Specifications

Compliance Certifications (visit www.Pasternack.com for current document)
Not RoHS Compliant

Plotted and Other Data

Notes:

Click the following link (or enter part number in "SEARCH" on website) to obtain additional part information including price, inventory and certifications: [WR-10 PIN Diode SPST Waveguide Switch Operating From 75 GHz to 110 GHz W Band With UG-387/U Flange PE71S9003](#)

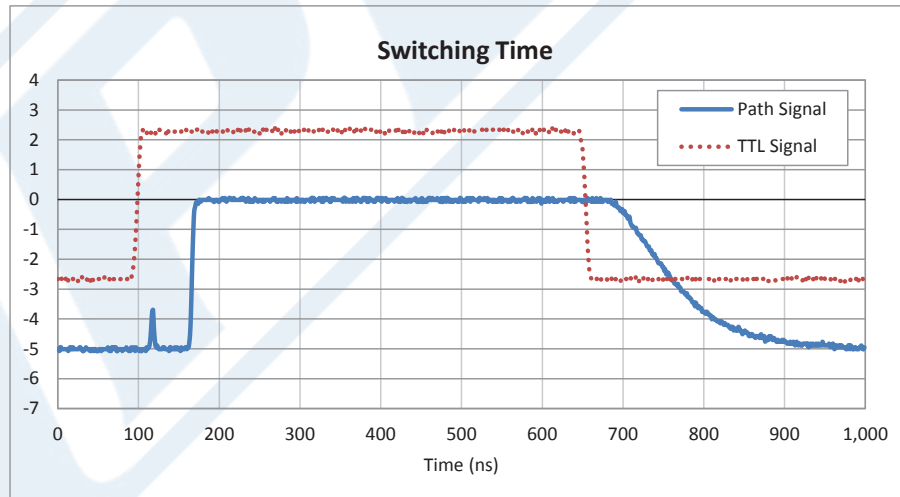
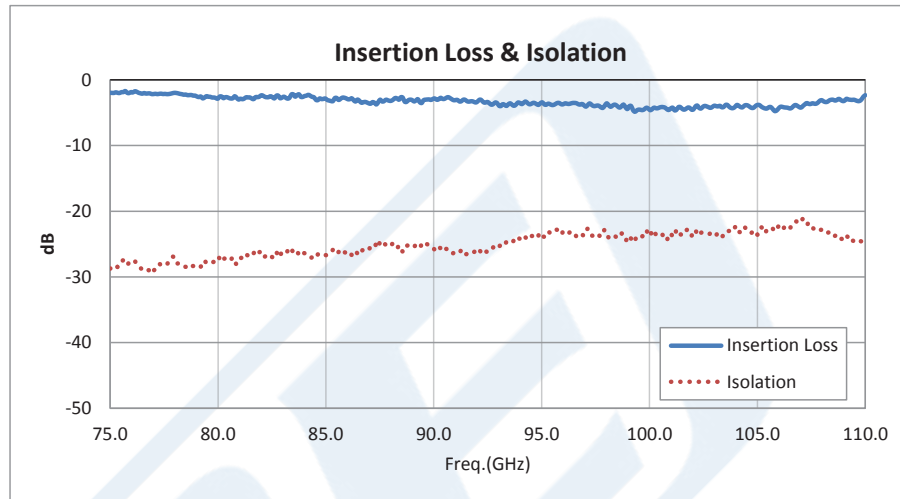


WR-10 PIN Diode SPST Waveguide Switch Operating From 75 GHz to 110 GHz W Band With UG-387/U Flange

Waveguide PIN Diode Switches Technical Data

PE71S9003

Typical Performance Data



Click the following link (or enter part number in "SEARCH" on website) to obtain additional part information including price, inventory and certifications: [WR-10 PIN Diode SPST Waveguide Switch Operating From 75 GHz to 110 GHz W Band With UG-387/U Flange PE71S9003](#)





WR-10 PIN Diode SPST Waveguide Switch Operating From 75 GHz to 110 GHz W Band With UG-387/U Flange

Waveguide PIN Diode Switches Technical Data

PE71S9003

WR-10 PIN Diode SPST Waveguide Switch Operating From 75 GHz to 110 GHz W Band With UG-387/U Flange from Pasternack Enterprises has same day shipment for domestic and International orders. Our RF, microwave and millimeter wave products maintain a 99% availability and are part of the broadest selection in the industry.

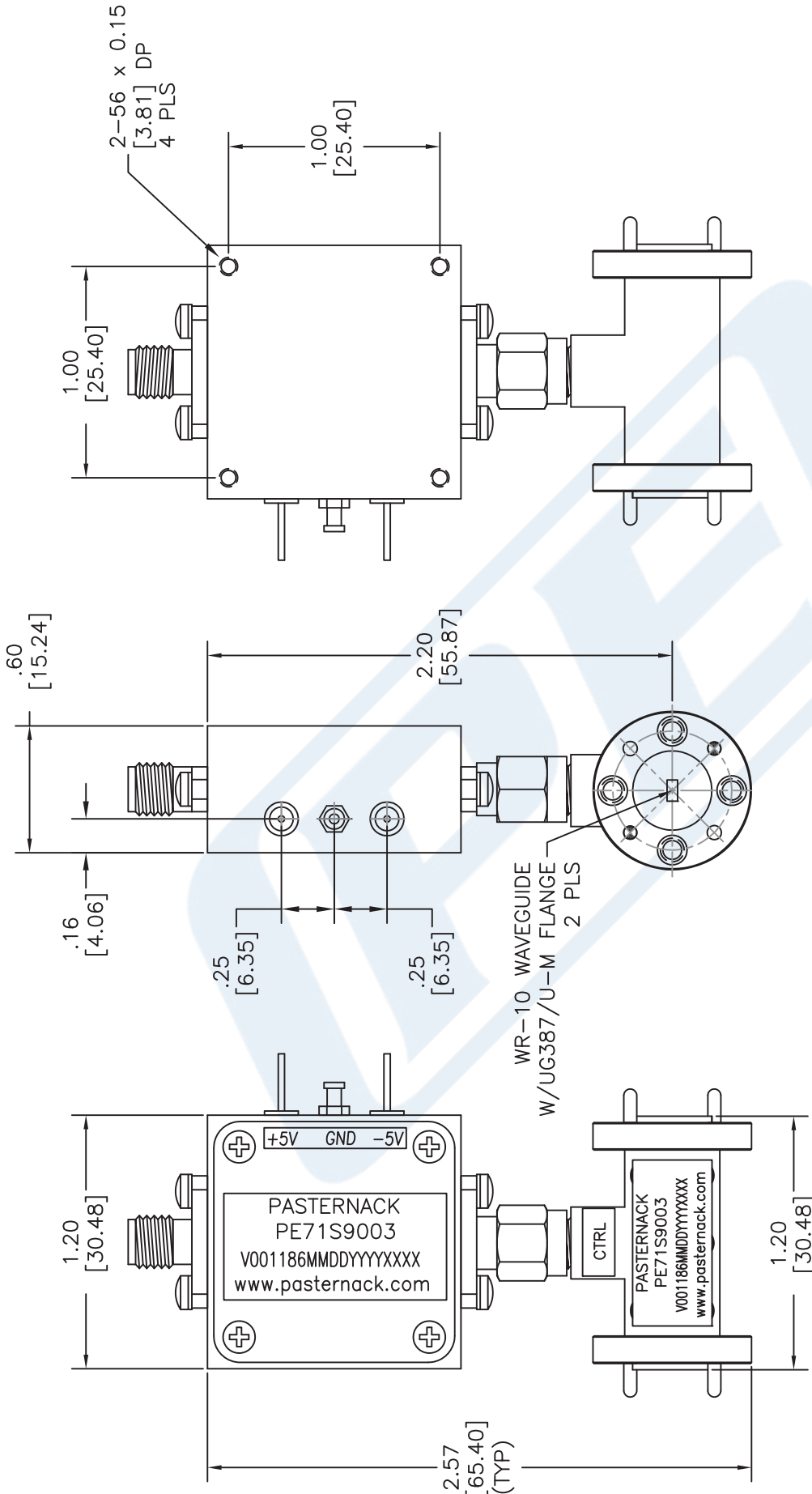
Click the following link (or enter part number in "SEARCH" on website) to obtain additional part information including price, inventory and certifications: [WR-10 PIN Diode SPST Waveguide Switch Operating From 75 GHz to 110 GHz W Band With UG-387/U Flange PE71S9003](http://www.pasternack.com/wr-10-pin-diode-spst-waveguide-switch-110-ghz-w-band-pe71s9003-p.aspx)

URL: <http://www.pasternack.com/wr-10-pin-diode-spst-waveguide-switch-110-ghz-w-band-pe71s9003-p.aspx>

The information contained in this document is accurate to the best of our knowledge and representative of the part described herein. It may be necessary to make modifications to the part and/or the documentation of the part, in order to implement improvements. Pasternack reserves the right to make such changes as required. Unless otherwise stated, all specifications are nominal. Pasternack does not make any representation or warranty regarding the suitability of the part described herein for any particular purpose, and Pasternack does not assume any liability arising out of the use of any part or documentation.

PE71S9003 CAD Drawing

WR-10 PIN Diode SPST Waveguide Switch Operating From 75 GHz to 110 GHz W Band With UG-387/U Flange



UNLESS OTHERWISE SPECIFIED:
 DIMENSIONS ARE IN: inches
 TOLERANCES ARE: [mm]
 .XX ±.01 [±.25]
 .XXX ±.005 [±.127]

* THESE DIMENSIONS AND TOLERANCES SUPERSEDE NOTE #1 ON TITLE BLOCK.

NOTES:

1. UNLESS OTHERWISE SPECIFIED ALL DIMENSIONS ARE NOMINAL.
2. ALL SPECIFICATIONS ARE SUBJECT TO CHANGE WITHOUT NOTICE AT ANY TIME.
3. DIMENSIONS ARE IN INCHES [mm].
4. FITS MIL-C-17 AND EQUIVALENT CABLES.

DWG TITLE

PE71S9003

FSCM NO. 53919

2233

SIZE A

SCALE N/A

CAD FILE 113015



Pasternack Enterprises, Inc.
 P.O. Box 16759 | Irvine | CA | 92623
 Phone: (949) 261-1920 | Fax: (949) 261-7451
 Website: www.pasternack.com | E-Mail: sales@pasternack.com