



SMA PIN-Schottky Limiter, 100 Watts Peak Power,  
 13 dBm Flat Leakage, 6 GHz to 18 GHz

## Limiters Technical Data Sheet

PE8035

### Electrical Specifications

Internal DC Block

Description	Minimum	Typical	Maximum	Units
Frequency Range	6		18	GHz
Insertion Loss			2.5	dB
Input VSWR		2.2:1		
Output VSWR		2.2:1		
Leakage (CW) @ 1 Watt CW			+13	dBm
Recovery Time		200		µs
Input Power (CW)			1	Watt
Input Power (Peak) @ 1us pulse, 0.1% Duty Cycle Derated to 20% @ +125°C			100	Watt
Limiting Threshold		+4		dBm

Electrical Specification Notes:

Values at 25°C, sea level. Specification @ +25°C and -10 dBm input power.

### Mechanical Specifications

#### Size

Length	1.27 in [32.26 mm]
Width	0.31 in [7.87 mm]
Height	0.31 in [7.87 mm]
Weight	0.2 lbs [90.72 g]
Body Material and Plating	Passivated Stainless Steel

#### Configuration

Style	PIN-Schottky Limiter
Package Style	Connectorized Module
Impedance	50 Ohms
Connector 1	SMA Male
Connector 2	SMA Female

### Environmental Specifications

#### Temperature

Operating Range	-55 to +90 deg C
Storage Range	-65 to +125 deg C

Shock	50 G's, 11 msec
Vibration	20G, 100 to 2000Hz

Click the following link (or enter part number in "SEARCH" on website) to obtain additional part information including price, inventory and certifications: [SMA PIN-Schottky Limiter, 100 Watts Peak Power, 13 dBm Flat Leakage, 6 GHz to 18 GHz PE8035](#)



SMA PIN-Schottky Limiter, 100 Watts Peak Power,  
13 dBm Flat Leakage, 6 GHz to 18 GHz

## Limiters Technical Data Sheet

PE8035

### Compliance Certifications (visit [www.Pasternack.com](http://www.Pasternack.com) for current document)

Not RoHS Compliant

REACH Compliant

06/18/2012

### Plotted and Other Data

Notes:

- Values at 25°C, sea level.

SMA PIN-Schottky Limiter, 100 Watts Peak Power, 13 dBm Flat Leakage, 6 GHz to 18 GHz from Pasternack Enterprises has same day shipment for domestic and International orders. Our RF, microwave and millimeter wave products maintain a 99% availability and are part of the broadest selection in the industry.

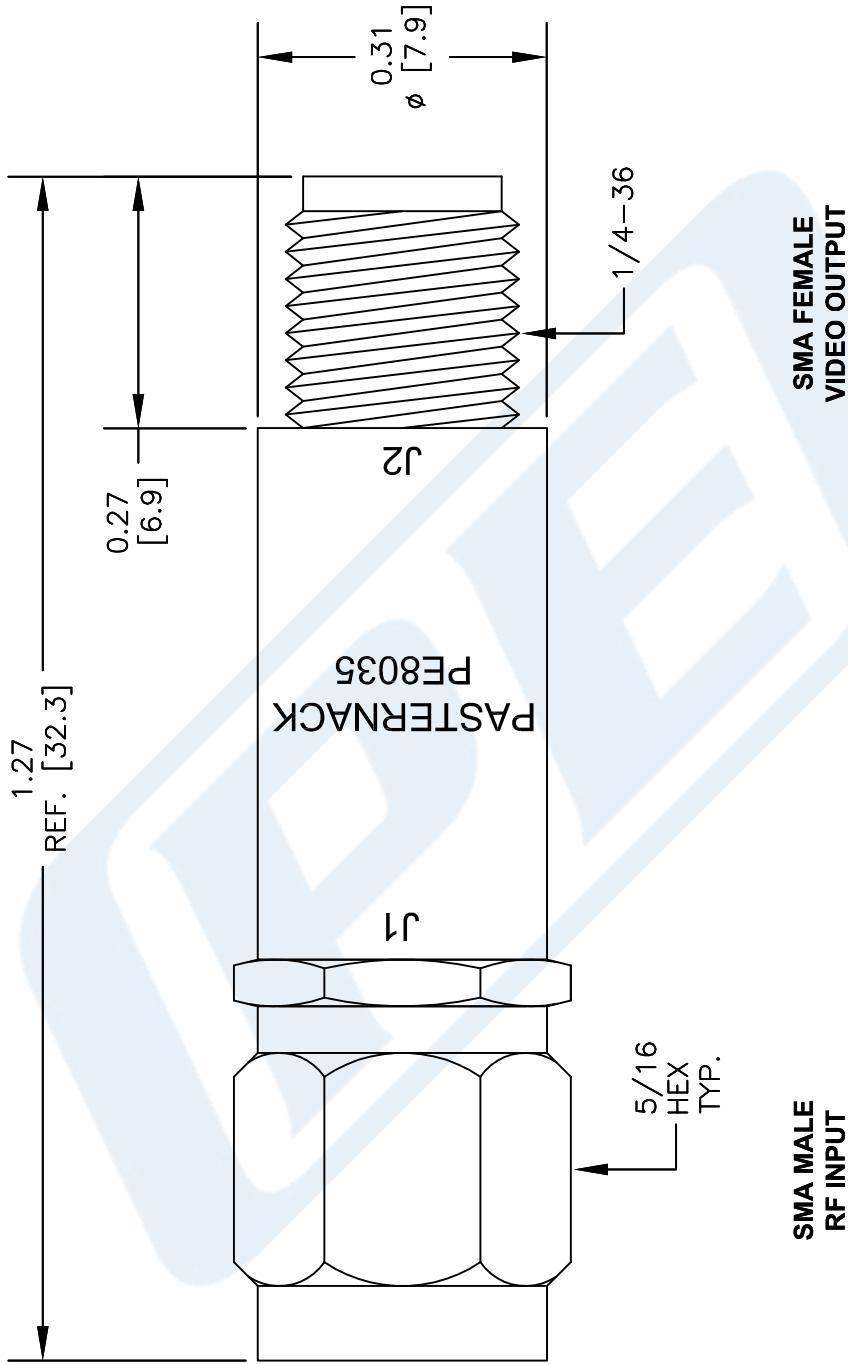
Click the following link (or enter part number in "SEARCH" on website) to obtain additional part information including price, inventory and certifications: [SMA PIN-Schottky Limiter, 100 Watts Peak Power, 13 dBm Flat Leakage, 6 GHz to 18 GHz PE8035](http://www.pasternack.com/pin-schottky-diode-limiter-60-180-ghz-pe8035-p.aspx)

URL: <http://www.pasternack.com/pin-schottky-diode-limiter-60-180-ghz-pe8035-p.aspx>

The information contained in this document is accurate to the best of our knowledge and representative of the part described herein. It may be necessary to make modifications to the part and/or the documentation of the part, in order to implement improvements. Pasternack reserves the right to make such changes as required. Unless otherwise stated, all specifications are nominal. Pasternack does not make any representation or warranty regarding the suitability of the part described herein for any particular purpose, and Pasternack does not assume any liability arising out of the use of any part or documentation.

# PE8035 CAD Drawing

SMA PIN-Schottky Limiter, 100 Watts Peak Power, 13 dBm Flat Leakage, 6 GHz to 18 GHz



DWG TITLE

**PE8035**

NOTES:  
1. UNLESS OTHERWISE SPECIFIED ALL DIMENSIONS ARE NOMINAL.  
2. ALL SPECIFICATIONS ARE SUBJECT TO CHANGE WITHOUT NOTICE AT ANY TIME.  
3. DIMENSIONS ARE IN INCHES [mm].

FSCM NO. 53919

CAD FILE 072715

SCALE N/A

SIZE A

150

**PE PASTERNAK**  
THE ENGINEER'S RF SOURCE

Pasternack Enterprises, Inc.  
P.O. Box 16759 | Irvine | CA | 92623  
Phone: (949) 261-1920 | Fax: (949) 261-7451  
Website: www.pasternack.com | E-Mail: sales@pasternack.com