

**PE926C32**

**Quad RS-422 Differential Line Driver Radiation Hardened**

**Features**

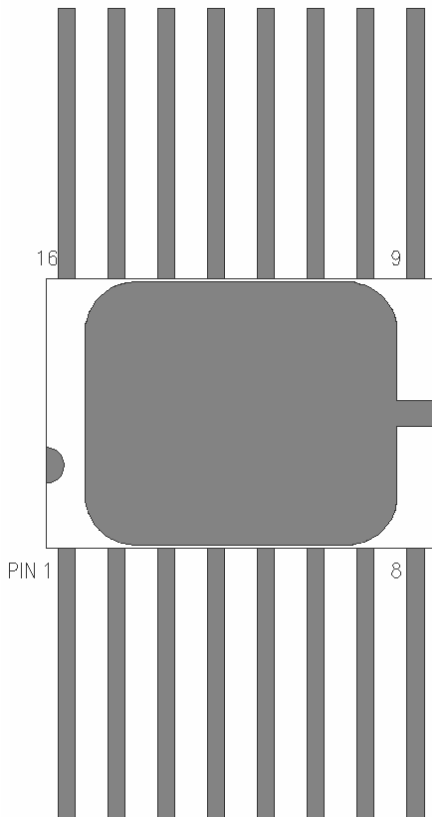
- High-speed operation: < 15 nS typical
- Low power: < 9 mA typical
- 3.3 V operation
- Standard packaging: 16-lead flat pack
- SEL Immune UTSi CMOS-on-sapphire
- SEU <10-10 errors / bit-day
- 300 Krad Total Dose

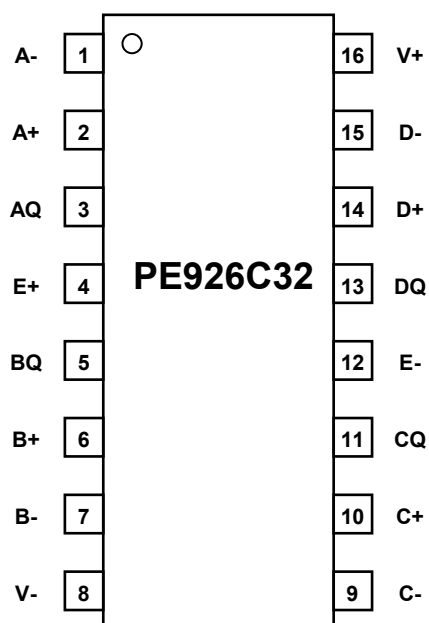
**Product Description**

The PE926C32 is a high performance monolithic CMOS RS-422 line receiver. Its operating supply range is 3.0 to 3.6V, with an input signal common mode range of +/-10V. The PE926C32 offers higher speed and lower power than other RS-422 receiver types. It is packaged in a flat pack and is ideal for space applications.

The PE926C32 is manufactured in Peregrine's patented Ultra Thin Silicon (UTSi®) CMOS process, offering the performance of GaAs with the economy and integration of conventional CMOS.

**Figure 1. Package Drawing**



**Figure 2. Pin Configuration (Top View)**

**Table 1. Pin Descriptions**

Pin No.	Pin Name	Description
1	A-	Channel A Inverting Input
2	A+	Channel A Noninverting Input
3	AQ	Channel A Output
4	E+	Enable, active high
5	BQ	Channel B Output
6	B+	Channel B Noninverting Input
7	B-	Channel B Inverting Input
8	V-	Ground Pin
9	C-	Channel C Inverting Input
10	C+	Channel C Noninverting Input
11	CQ	Channel C Output
12	E-	Enable, active low
13	DQ	Channel D Output
14	D+	Channel D Noninverting Input
15	D-	Channel D Inverting Input
16	V+	Supply Pin

**Table 2. Recommended Operating Conditions**

Symbol	Parameter/Conditions	Min	Max	Units
V+	Supply voltage	3.0	3.6	V
T <sub>OP</sub>	Operating temperature range	-55	125	°C
VIN (Line)	Maximum input voltage A+/-, B+/-, C+/-, D+/-	-7	7	V
VIN (Dig)	Maximum input voltage	0	V <sub>DD</sub>	V
VO <sub>UT</sub>	Maximum output voltage	0	V <sub>DD</sub>	V
IO <sub>UT</sub>	Maximum output current	-10	10	mA

### Electrostatic Discharge (ESD) Precautions

When handling this UTSi device, observe the same precautions that you would use with other ESD-sensitive devices. Although this device contains circuitry to protect it from damage due to ESD, precautions should be taken to avoid exceeding the rating specified in Table 2.

### Latch-Up Avoidance

Unlike conventional CMOS devices, UltraCMOS™ devices are immune to latch-up.

### Device Functional Considerations

The PE926C32 operates at high switching speeds. In order to obtain maximum performance, it is crucial that pin 16 be supplied with a bypass capacitor to ground (pin 8).

**Table 3. Truth Table**

E+	E-	V <sub>in</sub> (Diff)	Q
L	H	X	Z
H	X	<-200 mV	L
X	L		
H	X	>+200 mV	H
X	L		
H	X	Open	H
X	L		

**Table 4. Electrical Specifications**

-55° C < Tcase < 125° C, 3.0 V < V+ < 3.6 V, PreRad, unless otherwise specified

Parameter	Minimum	Typical	Maximum	Units
Supply Voltage	3.0	3.3	3.6	V
Supply Current (Line inputs open, enabled) (V+)=3.6V		5	10	mA
Input Threshold (Line, differential)				
VCM=+7	-200		200	mV
VCM=0	-200		200	mV
VCM=-7	-200		200	mV
Input Threshold Hysteresis (Line, Differential) VCM=0	1	15	100	mV
Input Resistance (Line pins)				
VCM=+7	15 K		25 K	Ohms
VCM=0	15 K		25 K	Ohms
VCM=-7	15 K		25 K	Ohms
Input Current (Line pins)				
VCM=+7			1000	uA
VCM=-7	-1200			
Input Threshold (Enable)	(V+)*0.3	(V+)/2	(V+)*0.7	V
Input Current (Enable)	-1		1	uA
Input "Failsafe" Open Circuit Differential voltage	200		2500	mV
Output Drive Current @ 0.5 V from rail (high or low)	10			mA
Output Short Circuit Current (to V-)	15		75	mA
Output Tristate Current, 0 < Vout < V+	-5		5	uA
VOH @ 10 mA	(V+) - 0.5 V	(V+) - 0.4	(V+)	V
VOL @ 10 mA	0	0.4	0.5 V	V
TPHL (See Fig 2)		12	25	nS
TPLH (See Fig 2)		12	25	nS
TPZL, TPZH (See Fig 3)		10	25	nS
TPHZ, TPLZ (See Fig 3)		10	25	nS
FMAX	50			MHz

- Notes:
1. "Line" pins refer to A-, A+, B-, B+, C-, C+, D-, D+, differential outputs
  2. "Digital Input" or "Enable" pins refer to E+, E-
  3. "Digital Input" pins refer to AQ, BQ, CQ, DQ
  4. Output Short Circuit not intended to imply continuous operation
  5. FMAX is guaranteed by design. Test performed at 1 MHz.

**Table 5. Post-Irradiation DC Electrical Specifications**

Tcase = 25° C, 3.0 V &lt; V+ &lt; 3.6 V, 300 KRad, unless otherwise specified

Parameter	Minimum	Typical	Maximum	Units
Supply Voltage	3.0	3.3	3.6	V
Supply Current (Line inputs open, enabled) (V+)=3.3 V		5	10	mA
Input Threshold (Line, differential)				
VCM=+7	-200		200	mV
VCM=0	-200		200	mV
VCM=-7	-200		200	mV
Input Threshold Hysteresis (Line, Differential)				
VCM=0	1	30	100	mV
Input Resistance (Line pins)				
VCM=+7	15K		25K	Ohms
VCM=0	15K		25K	Ohms
VCM=-7	15K		25K	Ohms
Input Current (Line pins)				
VCM=+7			1000	uA
VCM=-7	-1200			
Input Threshold (Enable)	(V+)*0.3	(V+)/2	(V+)*0.7	V
Input Current (Enable)	-1		1	uA
Input "Failsafe" Open Circuit Differential voltage	200		2500	mV
Output Drive Current @ 0.5 V from rail (high or low)	10			mA
Output Short Circuit Current (to V-)	15		75	mA
Output Tristate Current, 0 < Vout < V+	-10		10	uA
VOH @ 10 mA	(V+) – 0.5 V	(V+) – 0.4	(V+)	V
VOL @ 10 mA	0	0.4	0.5 V	V
TPHL (See Fig 2)		15	25	nS
TPLH (See Fig 2)		15	25	nS
TPZL, TPZH (See Fig 3)		15	25	nS
TPHZ, TPLZ (See Fig 3)		15	25	nS
FMAX	50			MHz

- Notes:
1. "Line" pins refer to A-, A+, B-, B+, C-, C+, D-, D+, differential outputs
  2. "Digital Input" or "Enable" pins refer to E+, E-
  3. "Digital Input" pins refer to AQ, BQ, CQ, DQ
  4. Output Short Circuit not intended to imply continuous operation
  5. FMAX is guaranteed by design. Test performed at 1 MHz.

Figure 3. TPLH, TPHL Test Circuit Block Diagram

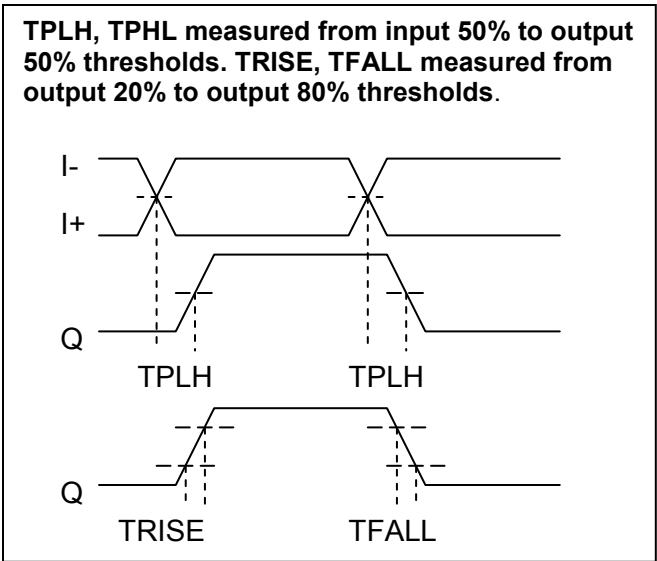
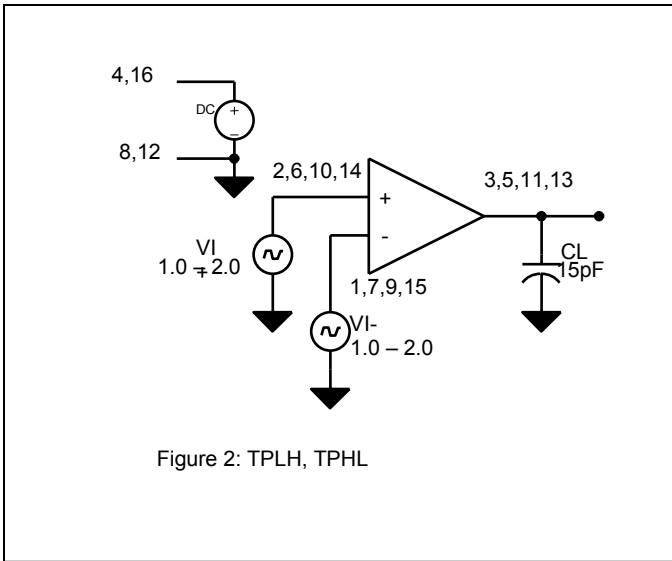


Figure 4. TPLZ, TPZL, TPHZ, TPZH Test Circuit Block Diagram

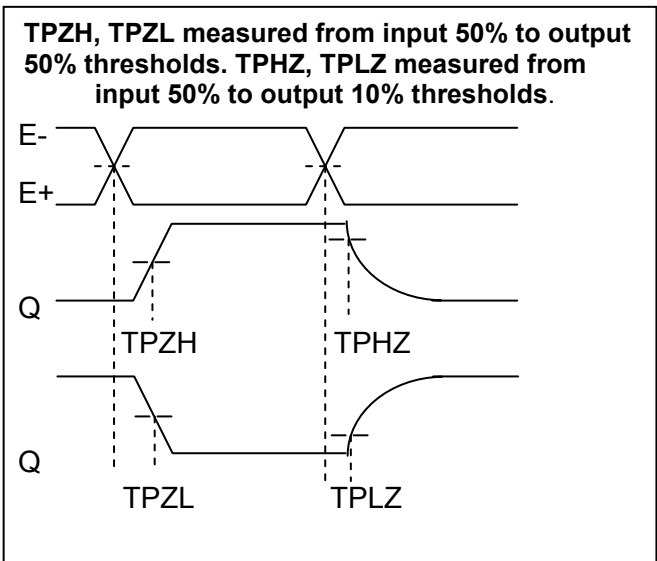
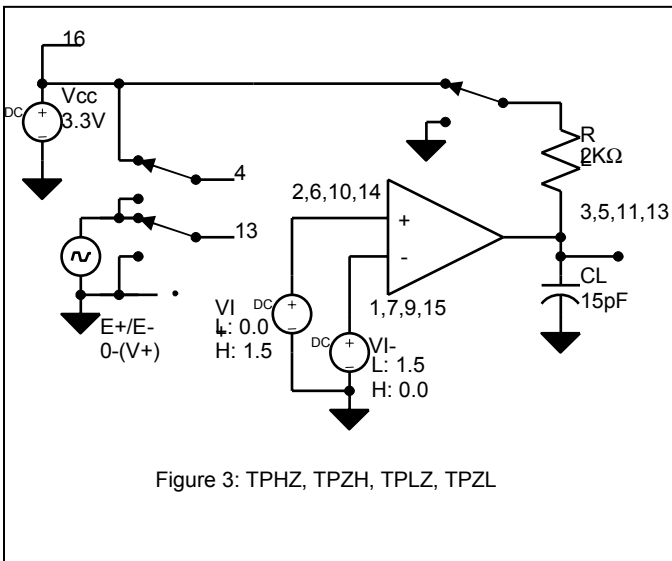


Table 6. Ordering Information

Order Code	Part Marking	Description	Package	Shipping Method
926C32-01	PE926C32-01	Engineering Sample	16-lead FLAT PACK	1/Box
926C32-21	PE926C32-21	Flight Product, FP	16-lead FLAT PACK	25/Tray
926C32-00	PE926C32-EK	Evaluation Kit	Evaluation Board	1/Box

## Sales Offices

### **United States**

#### **Peregrine Semiconductor Corp.**

9450 Carroll Park Drive  
San Diego, CA 92121  
Tel 1-858-731-9400  
Fax 1-858-731-9499

### **Europe**

#### **Peregrine Semiconductor Europe**

Bâtiment Maine  
13-15 rue des Quatre Vents  
F- 92380 Garches, France  
Tel: 011- 33-1-47-41-91-73  
Fax : 011-33-1-47-41-91-73

### **Japan**

#### **Peregrine Semiconductor K.K.**

5A-5, 5F Imperial Tower  
1-1-1 Uchisaiwaicho, Chiyoda-ku  
Tokyo 100-0011 Japan  
Tel: 011-81-3-3502-5211  
Fax: 011-81-3-3502-5213

### **China**

#### **Peregrine Semiconductor**

28G, Times Square,  
No. 500 Zhangyang Road,  
Shanghai, 200122, P.R. China  
Tel: 011-86-21-5836-8276  
Fax: 011-86-21-5836-7652

For a list of representatives in your area, please refer to our Web site at: [www.psemi.com](http://www.psemi.com)

## Data Sheet Identification

### **Advance Information**

The product is in a formative or design stage. The data sheet contains design target specifications for product development. Specifications and features may change in any manner without notice.

### **Preliminary Specification**

The data sheet contains preliminary data. Additional data may be added at a later date. Peregrine reserves the right to change specifications at any time without notice in order to supply the best possible product.

### **Product Specification**

The data sheet contains final data. In the event Peregrine decides to change the specifications, Peregrine will notify customers of the intended changes by issuing a DCN (Document Change Notice).

The information in this data sheet is believed to be reliable. However, Peregrine assumes no liability for the use of this information. Use shall be entirely at the user's own risk.

No patent rights or licenses to any circuits described in this data sheet are implied or granted to any third party.

Peregrine's products are not designed or intended for use in devices or systems intended for surgical implant, or in other applications intended to support or sustain life, or in any application in which the failure of the Peregrine product could create a situation in which personal injury or death might occur. Peregrine assumes no liability for damages, including consequential or incidental damages, arising out of the use of its products in such applications.

The Peregrine name, logo, and UTSi are registered trademarks and UltraCMOS is a trademark of Peregrine Semiconductor Corp.