



TECHNICAL DATA SHEET

PE9320

N Female to SMC Plug Adapter

Configuration

| | |
|----------------|----------|
| Connector 1 | N Female |
| Impedance 1 | 50 Ohms |
| Connector 2 | SMC Plug |
| Impedance 2 | 50 Ohms |
| Adapter Design | Standard |
| Body Style | Straight |

Mechanical Specifications

Temperature

| | |
|------------------------|-------------|
| Operating Range, deg C | -65 to +165 |
|------------------------|-------------|

Size

| | |
|---------------------|---------------|
| Length, in [mm] | 1.37 [34.8] |
| Width/Dia., in [mm] | 0.625 [15.88] |

Connector 1

| | |
|---------------------------------------|---------------|
| Type | N Female |
| Inner Conductor Material and Plating | Gold |
| Inner Conductor Plating Specification | MIL-G-45204 |
| Body Material and Plating | Brass, Nickel |
| Dielectric Type | Teflon |

Connector 2

| | |
|---------------------------------------|---------------|
| Type | SMC Plug |
| Inner Conductor Material and Plating | Gold |
| Inner Conductor Plating Specification | MIL-G-45204 |
| Coupling Nut Material and Plating | Brass, Nickel |
| Hex Size, in. | 1/4 |
| Torque, in-lbs [Nm] | 3 [0.34] |
| Body Material and Plating | Brass, Nickel |
| Dielectric Type | Teflon |

Compliance Certifications (visit www.Pasternack.com for current document)

| | |
|----------------|-----|
| RoHS Compliant | Yes |
|----------------|-----|

Plotted and Other Data

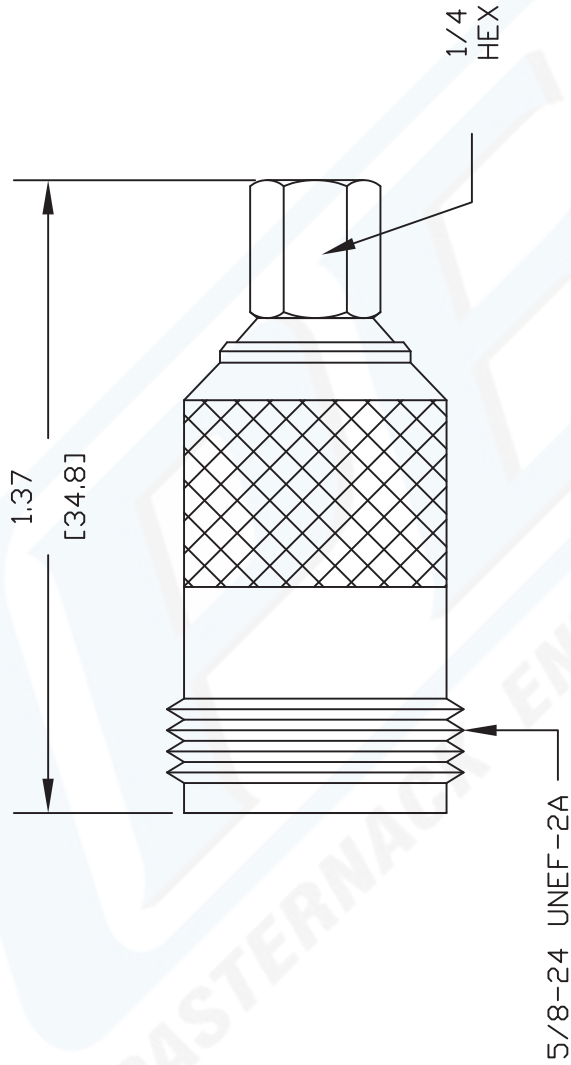
| | |
|--------|----------------------------|
| Notes: | Values at 25 °C, sea level |
|--------|----------------------------|

URL: <http://www.pasternack.com/n-female-smc-plug-straight-adapter-pe9320-p.aspx>

N Female to SMC Plug Adapter from Pasternack Enterprises has same day shipment for domestic and International orders. Our RF, microwave and fiber optic products maintain a 99% availability and are part of the broadest selection in the industry.

The information contained in this document is accurate to the best of our knowledge and representative of the part described herein. It may be necessary to make modifications to the part and/or the documentation of the part, in order to implement improvements. Pasternack reserves the right to make such changes as required. Unless otherwise stated, all specifications are nominal.

PE9320 CAD Drawing
N Female to SMC Plug Adapter



NOTES:
1. UNLESS OTHERWISE SPECIFIED ALL DIMENSIONS ARE NOMINAL.
2. ALL SPECIFICATIONS ARE SUBJECT TO CHANGE WITHOUT NOTICE AT ANY TIME.
3. DIMENSIONS ARE IN INCHES [mm].

DWG TITLE
PE9320

PASTERNAK ENTERPRISES, INC.
PO BOX 16759, IRVINE, CA 92623
PHONE (949) 261-1920 FAX (949) 261-7451
WEB ADDRESS: www.pasternack.com
E-MAIL ADDRESS: sales@pasternack.com
COAXIAL & FIBER OPTICS



| | | | | | |
|--------|----------------|-----------------|-----------|--------|-----|
| REV. A | FSCM NO. 53919 | CAD FILE 072710 | SCALE N/A | SIZE A | 127 |
|--------|----------------|-----------------|-----------|--------|-----|