



Precision 3.5mm Female to 7mm Sexless Adapter

RF Adapters Technical Data Sheet

PE9325

Configuration

- 3.5mm Female Connector 1
- 7mm Sexless Connector 2
- 50 Ohms
- Precision Design
- Straight Body Geometry

Features

- Max VSWR of 1.15:1 up to 18 GHz
- Gold over Nickel Plated Beryllium Copper Contact
- Contact Plating per MIL-G-45204

Applications

- Allows Connection Between Series
- General Purpose Test
- Precision Test & Measurement

Description

Pasternack's PE9325 precision 3.5mm female to 7mm sexless adapter is part of our full line of RF components available for same-day shipping. The 3.5mm connector mates mechanically with commercially available SMA and 2.92mm (K) connectors. Our 3.5mm to 7mm adapter has a female to sexless gender configuration in a precision design. PE9325 3.5mm female to 7mm sexless adapter operates to 18 GHz. The Pasternack RF adapter provides excellent VSWR of 1.15:1 maximum.

RF adapters are often used to enable connections between two connector types that would otherwise not mate. Certain adapter configurations can also be used to protect connectors on expensive equipment where the number of connect/disconnect cycles is high. An RF, microwave or millimeter wave adapter is connected to the equipment, and the commonly changed connection is made with the adapter which can be easily replaced when it wears out after high usage; such adapters are referred to as connector savers. Pasternack also offers bulkhead, panel mount, hermetically sealed, reverse polarity, and isolated ground adapter varieties to serve all of your RF, microwave and millimeter wave needs.

Electrical Specifications

| Description | Minimum | Typical | Maximum | Units |
|-----------------|---------|---------|---------|-------|
| Frequency Range | DC | | 18 | GHz |
| VSWR | | | 1.15:1 | |
| Insertion Loss | | | 0.22 | dB |

Electrical Specification Notes:
Values at 25°C, sea level.
Insertion Loss (dB) = $0.05 \cdot \sqrt{f(\text{GHz})}$.

Mechanical Specifications

| Size | |
|--------|---------------------|
| Length | 1.355 in [34.42 mm] |
| Width | 0.87 in [22.1 mm] |
| Weight | 0.103 lbs [46.72 g] |

Click the following link (or enter part number in "SEARCH" on website) to obtain additional part information including price, inventory and certifications: [Precision 3.5mm Female to 7mm Sexless Adapter PE9325](#)



Precision 3.5mm Female to 7mm Sexless Adapter

RF Adapters Technical Data Sheet

PE9325

| Description | Connector 1 | Connector 2 |
|---------------|--------------|-------------|
| Type | 3.5mm Female | 7mm Sexless |
| Polarity | Standard | Standard |
| Mating Cycles | 500 | 500 |

Material Specifications

| Description | Connector 1 | | Connector 2 | |
|-----------------|----------------------------|---------------------------------|----------------------------|---------------------------------|
| | Material | Plating | Material | Plating |
| Type | 3.5mm Female | | 7mm Sexless | |
| Contact | Beryllium Copper | Gold over Nickel MIL-G-45204 | Beryllium Copper | Gold over Nickel MIL-G-45204 |
| Insulation | Oxide-Noryl | | Oxide-Noryl | |
| Outer Conductor | Passivated Stainless Steel | ASTM A380 | | |
| Body | | | Passivated Stainless Steel | ASTM A380 |
| Coupling Nut | | | Passivated Stainless Steel | ASTM A380 |

Environmental Specifications

Temperature

Operating Range -55 to +100 deg C

Vibration

MIL-STD-202, Method 204, Cond. D (20G's)

Salt Spray

MIL-STD-202, Method 101, Cond. B, 5% salt solution

Compliance Certifications (see [product page](#) for current document)

Plotted and Other Data

Notes:

Click the following link (or enter part number in "SEARCH" on website) to obtain additional part information including price, inventory and certifications: [Precision 3.5mm Female to 7mm Sexless Adapter PE9325](#)



Precision 3.5mm Female to 7mm Sexless Adapter

RF Adapters Technical Data Sheet

PE9325

Precision 3.5mm Female to 7mm Sexless Adapter from Pasternack Enterprises has same day shipment for domestic and International orders. Our RF, microwave and millimeter wave products maintain a 99% availability and are part of the broadest selection in the industry.

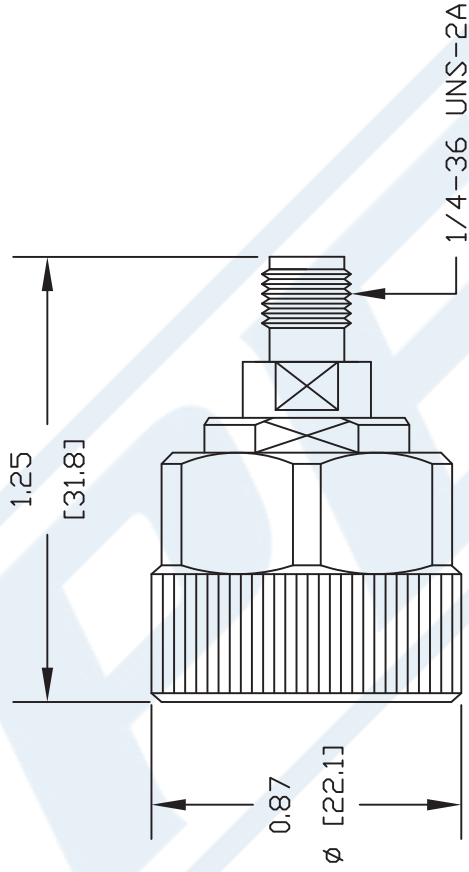
Click the following link (or enter part number in "SEARCH" on website) to obtain additional part information including price, inventory and certifications: [Precision 3.5mm Female to 7mm Sexless Adapter PE9325](https://www.pasternack.com/3.5mm-female-7mm-sexless-straight-adapter-pe9325-p.aspx)

URL: <https://www.pasternack.com/3.5mm-female-7mm-sexless-straight-adapter-pe9325-p.aspx>

The information contained in this document is accurate to the best of our knowledge and representative of the part described herein. It may be necessary to make modifications to the part and/or the documentation of the part, in order to implement improvements. Pasternack reserves the right to make such changes as required. Unless otherwise stated, all specifications are nominal. Pasternack does not make any representation or warranty regarding the suitability of the part described herein for any particular purpose, and Pasternack does not assume any liability arising out of the use of any part or documentation.

PE9325 CAD Drawing

Precision 3.5mm Female to 7mm Sexless Adapter



DWG TITLE

PE9325

NOTES:
1. UNLESS OTHERWISE SPECIFIED ALL DIMENSIONS ARE NOMINAL.
2. ALL SPECIFICATIONS ARE SUBJECT TO CHANGE WITHOUT NOTICE AT ANY TIME.
3. DIMENSIONS ARE IN INCHES [mm].

REV. -

FSCM NO. 53919

CAD FILE 030805

SCALE N/A

SIZE A

127

PASTERNAK ENTERPRISES, INC.

PO BOX 16759, IRVINE, CA 92623
PHONE (949) 261-1920 FAX (949) 261-7451

WEB ADDRESS: www.pasternack.com
E-MAIL ADDRESS: sales@pasternack.com

COAXIAL & FIBER OPTICS

