



## MHV Male to SHV Plug Adapter

### RF Adapters Technical Data Sheet

PE9340

#### Configuration

- MHV Male Connector 1
- SHV Plug Connector 2
- 50 Ohms
- Straight Body Geometry

#### Features

- MHV Interface compliant with MIL-STD-348
- SHV Interface compliant with MIL-STD-348
- Silver Plated Contact
- Contact Plating per QQ-S-365

#### Applications

- Allows Connection Between Series
- General Purpose Test

#### Description

Pasternack's PE9340 MHV male to SHV plug adapter is part of our full line of RF components available for same-day shipping. Our MHV to SHV adapter has a male to plug gender configuration.

RF adapters are often used to enable connections between two connector types that would otherwise not mate. Certain adapter configurations can also be used to protect connectors on expensive equipment where the number of connect/disconnect cycles is high. An RF, microwave or millimeter wave adapter is connected to the equipment, and the commonly changed connection is made with the adapter which can be easily replaced when it wears out after high usage; such adapters are referred to as connector savers. Pasternack also offers bulkhead, panel mount, hermetically sealed, reverse polarity, and isolated ground adapter varieties to serve all of your RF, microwave and millimeter wave needs.

#### Mechanical Specifications

##### Size

Length	1.61 in [40.89 mm]
Width	0.57 in [14.48 mm]
Weight	0.041 lbs [18.6 g]

Description	Connector 1	Connector 2
Type	MHV Male	SHV Plug
Polarity	Standard	Standard
Interface Specification	MIL-STD-348	MIL-STD-348

Click the following link (or enter part number in "SEARCH" on website) to obtain additional part information including price, inventory and certifications: [MHV Male to SHV Plug Adapter PE9340](#)



## MHV Male to SHV Plug Adapter

### RF Adapters Technical Data Sheet

PE9340

#### Material Specifications

Description	Connector 1		Connector 2	
	Material	Plating	Material	Plating
Type	MHV Male		SHV Plug	
Contact		Silver QQ-S-365		Silver QQ-S-365
Insulation	PTFE		PTFE	
Body	Brass	Nickel QQ-N-290	Brass	Nickel QQ-N-290
Coupling Nut	Brass	Nickel QQ-N-290	Brass	Nickel QQ-N-290

#### Compliance Certifications (see [product page](#) for current document)

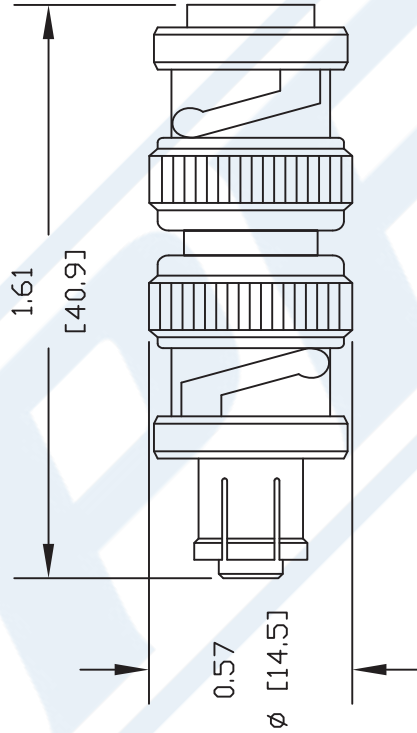
MHV Male to SHV Plug Adapter from Pasternack Enterprises has same day shipment for domestic and International orders. Our RF, microwave and millimeter wave products maintain a 99% availability and are part of the broadest selection in the industry.

Click the following link (or enter part number in "SEARCH" on website) to obtain additional part information including price, inventory and certifications: [MHV Male to SHV Plug Adapter PE9340](#)

URL: <https://www.pasternack.com/mhv-male-shv-plug-straight-adapter-pe9340-p.aspx>

The information contained in this document is accurate to the best of our knowledge and representative of the part described herein. It may be necessary to make modifications to the part and/or the documentation of the part, in order to implement improvements. Pasternack reserves the right to make such changes as required. Unless otherwise stated, all specifications are nominal. Pasternack does not make any representation or warranty regarding the suitability of the part described herein for any particular purpose, and Pasternack does not assume any liability arising out of the use of any part or documentation.

**PE9340 CAD Drawing**  
MHV Male to SHV Plug Adapter



NOTES:  
 1. UNLESS OTHERWISE SPECIFIED ALL DIMENSIONS ARE NOMINAL.  
 2. ALL SPECIFICATIONS ARE SUBJECT TO CHANGE WITHOUT NOTICE AT ANY TIME.  
 3. DIMENSIONS ARE IN INCHES [mm].

DWG TITLE  
**PE9340**

**PASTERNAK ENTERPRISES, INC.**  
 P O BOX 16759, IRVINE, CA 92623  
 PHONE (949) 261-1920 FAX (949) 261-7451  
 WEB ADDRESS: [www.pasternack.com](http://www.pasternack.com)  
 E-MAIL ADDRESS: [sales@pasternack.com](mailto:sales@pasternack.com)  
**COAXIAL & FIBER OPTICS**



REV. -

FSCM NO. 53919

CAD FILE 091702

SCALE N/A

SIZE A

127