



SSMA Male to N Male Adapter

RF Adapters Technical Data Sheet

PE9351

Configuration

- SSMA Male Connector 1
- N Male Connector 2
- 50 Ohm
- Straight Body Geometry

Features

- Contact plating according to MIL-G-45204

Applications

- Allows Connection Between Series
- General Purpose Test

Description

Pasternack's PE9351 SSMA male to type N male adapter is part of our full line of RF components available for same-day shipping. Our SSMA to type N adapter has a male to male gender configuration. PE9351 SSMA male to type N male adapter operates to 11 GHz.

RF adapters are often used to enable connections between two connector types that would otherwise not mate. Certain adapter configurations can also be used to protect connectors on expensive equipment where the number of connect/disconnect cycles is high. An RF, microwave or millimeter wave adapter is connected to the equipment, and the commonly changed connection is made with the adapter which can be easily replaced when it wears out after high usage; such adapters are referred to as connector savers. Pasternack also offers bulkhead, panel mount, hermetically sealed, reverse polarity, and isolated ground adapter varieties to serve all of your RF, microwave and millimeter wave needs.

Electrical Specifications

Description	Minimum	Typical	Maximum	Units
Frequency Range	DC		11	GHz
Dielectric Withstanding Voltage (AC)			750	Vrms
Insulation Resistance	5,000			MOhms
Input Power (CW)			250	Watts

Mechanical Specifications

Size	
Length	1.242 in [31.55 mm]
Width	0.8 in [20.32 mm]
Weight	0.075 lbs [34.02 g]

Click the following link (or enter part number in "SEARCH" on website) to obtain additional part information including price, inventory and certifications: [SSMA Male to N Male Adapter PE9351](#)



SSMA Male to N Male Adapter

RF Adapters Technical Data Sheet

PE9351

Description	Connector 1	Connector 2
Type	SSMA Male	N Male
Polarity	Standard	Standard
Hex Size	1/4 in.	
Mating Torque	3 in-lbs [0.34 Nm] max	

Material Specifications

Description	Connector 1		Connector 2	
	Material	Plating	Material	Plating
Type	SSMA Male		N Male	
Contact		Gold MIL-G-45204		Gold MIL-G-45204
Insulation	PTFE		PTFE	
Body	Brass	Nickel	Brass	Nickel
Coupling Nut	Brass	Nickel	Brass	Nickel

Environmental Specifications

Temperature

Operating Range -65 to +165 deg C

Compliance Certifications (see [product page](#) for current document)

Plotted and Other Data

Notes:

Click the following link (or enter part number in "SEARCH" on website) to obtain additional part information including price, inventory and certifications: [SSMA Male to N Male Adapter PE9351](#)



SSMA Male to N Male Adapter

RF Adapters Technical Data Sheet

PE9351

SSMA Male to N Male Adapter from Pasternack Enterprises has same day shipment for domestic and International orders. Our RF, microwave and millimeter wave products maintain a 99.4% availability and are part of the broadest selection in the industry.

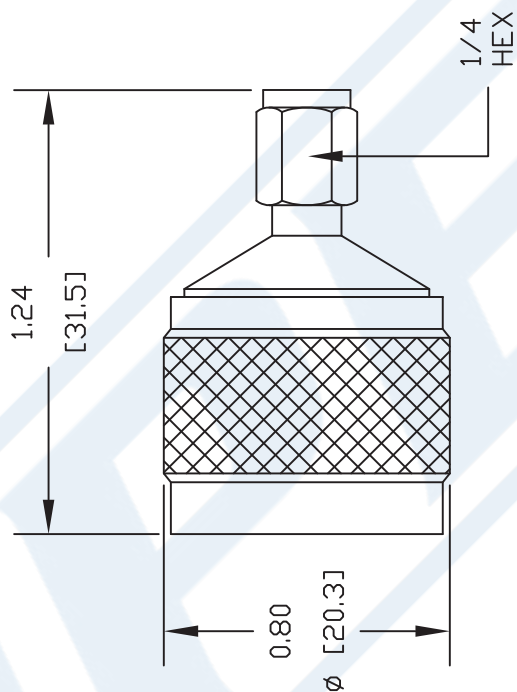
Click the following link (or enter part number in "SEARCH" on website) to obtain additional part information including price, inventory and certifications: [SSMA Male to N Male Adapter PE9351](#)

URL: <https://www.pasternack.com/ssma-male-n-male-straight-adapter-pe9351-p.aspx>

The information contained in this document is accurate to the best of our knowledge and representative of the part described herein. It may be necessary to make modifications to the part and/or the documentation of the part, in order to implement improvements. Pasternack reserves the right to make such changes as required. Unless otherwise stated, all specifications are nominal. Pasternack does not make any representation or warranty regarding the suitability of the part described herein for any particular purpose, and Pasternack does not assume any liability arising out of the use of any part or documentation.

PE9351 CAD Drawing

SSMA Male to N Male Adapter



DWG TITLE

PE9351

NOTES:
 1. UNLESS OTHERWISE SPECIFIED ALL DIMENSIONS ARE NOMINAL.
 2. ALL SPECIFICATIONS ARE SUBJECT TO CHANGE WITHOUT NOTICE AT ANY TIME.
 3. DIMENSIONS ARE IN INCHES [mm].

PASTERNAK ENTERPRISES, INC.
 P.O. BOX 16759, IRVINE, CA 92623
 PHONE (949) 261-1920 FAX (949) 261-7451
 WEB ADDRESS: www.pasternack.com
 E-MAIL ADDRESS: sales@pasternack.com

COAXIAL & FIBER OPTICS



FSCM NO. 53919

CAD FILE 091702

SCALE N/A

SIZE A

127

REV. -