



75 Ohm BNC Male to BNC Female Right Angle Adapter

RF Adapters Technical Data Sheet

PE9361

Configuration

- BNC Male Connector 1
- BNC Female Connector 2
- 75 Ohms
- Right Angle Body Geometry

Features

- BNC Interface compliant with MIL-STD-348
- Gold Plated Brass Contact
- Contact Plating per MIL-G-45204

Applications

- General Purpose Test

Description

Pasternack's PE9361 75 ohm BNC male to BNC female right angle adapter is part of our full line of RF components available for same-day shipping. Our BNC to BNC adapter has a male to female gender configuration. PE9361 BNC male to BNC female adapter operates to 4 GHz. This low profile right angle BNC adapter allows for easier connections in tight spaces.

RF adapters are often used to enable connections between two connector types that would otherwise not mate. Certain adapter configurations can also be used to protect connectors on expensive equipment where the number of connect/disconnect cycles is high. An RF, microwave or millimeter wave adapter is connected to the equipment, and the commonly changed connection is made with the adapter which can be easily replaced when it wears out after high usage; such adapters are referred to as connector savers. Pasternack also offers bulkhead, panel mount, hermetically sealed, reverse polarity, and isolated ground adapter varieties to serve all of your RF, microwave and millimeter wave needs.

Electrical Specifications

Description	Minimum	Typical	Maximum	Units
Frequency Range	DC		4	GHz
Operating Voltage (AC)			500	Vrms
Dielectric Withstanding Voltage (AC)			1,500	Vrms
Insulation Resistance	5,000			MOhms

Electrical Specification Notes:
Values at 25°C, sea level

Mechanical Specifications

Size

Length	1.04 in [26.42 mm]
Width	0.57 in [14.48 mm]
Height	0.875 in [22.23 mm]
Weight	0.034 lbs [15.42 g]

Click the following link (or enter part number in "SEARCH" on website) to obtain additional part information including price, inventory and certifications: [75 Ohm BNC Male to BNC Female Right Angle Adapter PE9361](#)



75 Ohm BNC Male to BNC Female Right Angle Adapter

RF Adapters Technical Data Sheet

PE9361

Description	Connector 1	Connector 2
Type	BNC Male	BNC Female
Polarity	Standard	Standard
Interface Specification	MIL-STD-348	MIL-STD-348

Material Specifications

Description	Connector 1		Connector 2	
	Material	Plating	Material	Plating
Type	BNC Male		BNC Female	
Contact	Brass	Gold MIL-G-45204	Brass	Gold MIL-G-45204
Insulation	PTFE		PTFE	
Outer Conductor			Brass	Nickel QQ-N-290
Body	Brass	Nickel QQ-N-290		
Coupling Nut	Brass	Nickel QQ-N-290		

Environmental Specifications

Temperature

Operating Range

-65 to +165 deg C

Compliance Certifications (see [product page](#) for current document)

Plotted and Other Data

Notes:

Click the following link (or enter part number in "SEARCH" on website) to obtain additional part information including price, inventory and certifications: [75 Ohm BNC Male to BNC Female Right Angle Adapter PE9361](#)



75 Ohm BNC Male to BNC Female Right Angle Adapter

RF Adapters Technical Data Sheet

PE9361

75 Ohm BNC Male to BNC Female Right Angle Adapter from Pasternack Enterprises has same day shipment for domestic and International orders. Our RF, microwave and millimeter wave products maintain a 99% availability and are part of the broadest selection in the industry.

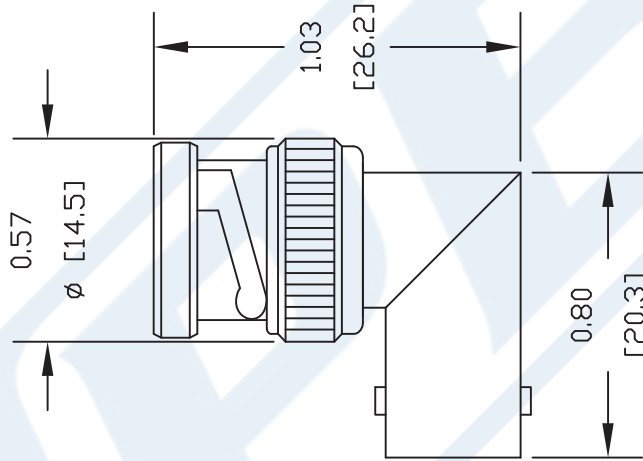
Click the following link (or enter part number in "SEARCH" on website) to obtain additional part information including price, inventory and certifications: [75 Ohm BNC Male to BNC Female Right Angle Adapter PE9361](https://www.pasternack.com/bnc-male-bnc-female-right-angle-adapter-pe9361-p.aspx)

URL: <https://www.pasternack.com/bnc-male-bnc-female-right-angle-adapter-pe9361-p.aspx>

The information contained in this document is accurate to the best of our knowledge and representative of the part described herein. It may be necessary to make modifications to the part and/or the documentation of the part, in order to implement improvements. Pasternack reserves the right to make such changes as required. Unless otherwise stated, all specifications are nominal. Pasternack does not make any representation or warranty regarding the suitability of the part described herein for any particular purpose, and Pasternack does not assume any liability arising out of the use of any part or documentation.

PE9361 CAD Drawing

75 Ohm BNC Male to BNC Female Right Angle Adapter



NOTES:
 1. UNLESS OTHERWISE SPECIFIED ALL DIMENSIONS ARE NOMINAL.
 2. ALL SPECIFICATIONS ARE SUBJECT TO CHANGE WITHOUT NOTICE AT ANY TIME.
 3. DIMENSIONS ARE IN INCHES [mm].

DWG TITLE

PE9361

REV. -

FSCM NO. 53919

CAD FILE 091702

SCALE N/A

SIZE A

127

PASTERNAK ENTERPRISES, INC.
 P O BOX 16759, IRVINE, CA 92623
 PHONE (949) 261-1920 FAX (949) 261-7451
 WEB ADDRESS: www.pasternack.com
 E-MAIL ADDRESS: sales@pasternack.com
COAXIAL & FIBER OPTICS

