



HN Male to GR874 Sexless Adapter

TECHNICAL DATA SHEET

PE9386

HN Male to GR874 Sexless Adapter

Configuration

| | |
|----------------|---------------|
| Connector 1 | HN Male |
| Impedance 1 | 50 Ohms |
| Connector 2 | GR874 Sexless |
| Impedance 2 | 50 Ohms |
| Adapter Design | Standard |
| Body Style | Straight |

Mechanical Specifications

Temperature

| | |
|------------------------|-------------|
| Operating Range, deg C | -65 to +165 |
|------------------------|-------------|

Size

| | |
|---------------------|--------------|
| Length, in [mm] | 2.21 [56.13] |
| Width/Dia., in [mm] | 0.9 [22.86] |

Connector 1

| | |
|---------------------------------------|---------------|
| Type | HN Male |
| Inner Conductor Material and Plating | Gold |
| Inner Conductor Plating Specification | MIL-G-45204 |
| Coupling Nut Material and Plating | Brass, Nickel |
| Body Material and Plating | Brass, Nickel |

Connector 2

| | |
|--------------------------------------|---------------|
| Type | GR874 Sexless |
| Inner Conductor Material and Plating | Nickel |
| Body Material and Plating | Brass, Nickel |
| Dielectric Type | Teflon |

Compliance Certifications (visit www.Pasternack.com for current document)

| | |
|----------------|-----|
| RoHS Compliant | Yes |
|----------------|-----|

Plotted and Other Data

| | |
|--------|----------------------------|
| Notes: | Values at 25 °C, sea level |
|--------|----------------------------|

Click the following link (or enter part number in "SEARCH" on website) to obtain additional part information including price, inventory and certifications: [HN Male to GR874 Sexless Adapter PE9386](#)

The information contained in this document is accurate to the best of our knowledge and representative of the part described herein. It may be necessary to make modifications to the part and/or the documentation of the part, in order to implement improvements. Pasternack reserves the right to make such changes as required. Unless otherwise stated, all specifications are nominal.

HN Male to GR874 Sexless Adapter



TECHNICAL DATA SHEET

PE9386

HN Male to GR874 Sexless Adapter from Pasternack Enterprises has same day shipment for domestic and International orders. Our RF, microwave and fiber optic products maintain a 99% availability and are part of the broadest selection in the industry.

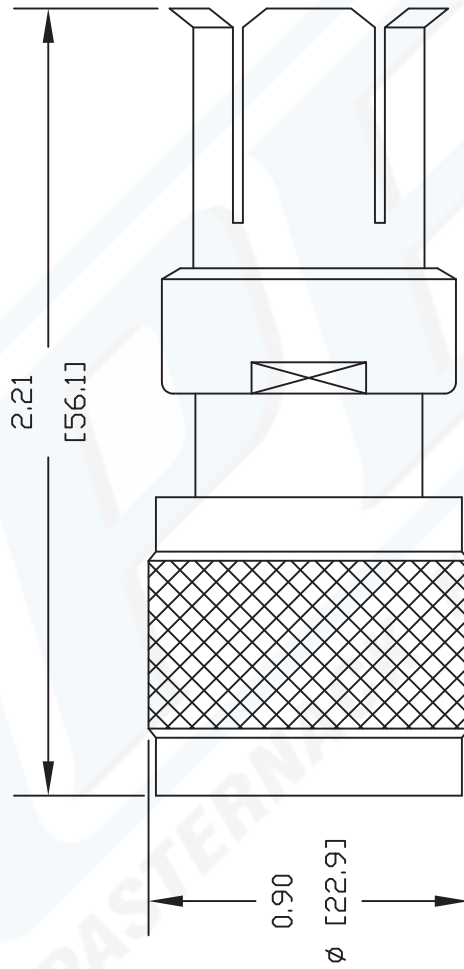
Click the following link (or enter part number in "SEARCH" on website) to obtain additional part information including price, inventory and certifications: [HN Male to GR874 Sexless Adapter PE9386](#)

URL: <http://www.pasternack.com/hn-male-gr874-sexless-straight-adapter-pe9386-p.aspx>

The information contained in this document is accurate to the best of our knowledge and representative of the part described herein. It may be necessary to make modifications to the part and/or the documentation of the part, in order to implement improvements. Pasternack reserves the right to make such changes as required. Unless otherwise stated, all specifications are nominal.

PE9386 CAD Drawing

HN Male to GR874 Sexless Adapter



NOTES:
 1. UNLESS OTHERWISE SPECIFIED ALL DIMENSIONS ARE NOMINAL.
 2. ALL SPECIFICATIONS ARE SUBJECT TO CHANGE WITHOUT NOTICE AT ANY TIME.
 3. DIMENSIONS ARE IN INCHES [mm].

DWG TITLE

PE9386

REV. -

FSCM NO. 53919

CAD FILE 091902

SCALE N/A

SIZE A

127

PASTERNAK ENTERPRISES, INC.

P O BOX 16759, IRVINE, CA 92623
 PHONE (949) 261-1920 FAX (949) 261-7451

WEB ADDRESS: www.pasternack.com
 E-MAIL ADDRESS: sales@pasternack.com

COAXIAL & FIBER OPTICS

