

Product Features:

Common Features:

- PI74FCT16240T, PI74FCT162240T, and PI74FCT162H240T are high-speed, low power devices with high current drive
- $V_{CC} = 5V \pm 10\%$
- Hysteresis on all inputs
- Packages available:
 - 48-pin 240 mil wide plastic TSSOP (A)
 - 48-pin 300 mil wide plastic SSOP (V)

PI74FCT16240T Features:

- High output drive: $I_{OH} = -32\text{ mA}$; $I_{OL} = 64\text{ mA}$
- Power off disable outputs permit "live insertion"
- Typical V_{OLP} (Output Ground Bounce) $< 1.0V$ at $V_{CC} = 5V$, $T_A = 25^\circ C$

PI74FCT162240T Features:

- Balanced output drivers: $\pm 24\text{ mA}$
- Reduced system switching noise
- Typical V_{OLP} (Output Ground Bounce) $< 0.6V$ at $V_{CC} = 5V$, $T_A = 25^\circ C$

PI74FCT162H240T Features:

- Bus Hold retains last active bus state during 3-state
- Eliminates the need for external pull-up resistors

Product Description:

Pericom Semiconductor's PI74FCT series of logic circuits are produced in the Company's advanced 0.6 micron CMOS technology, achieving industry leading speed grades.

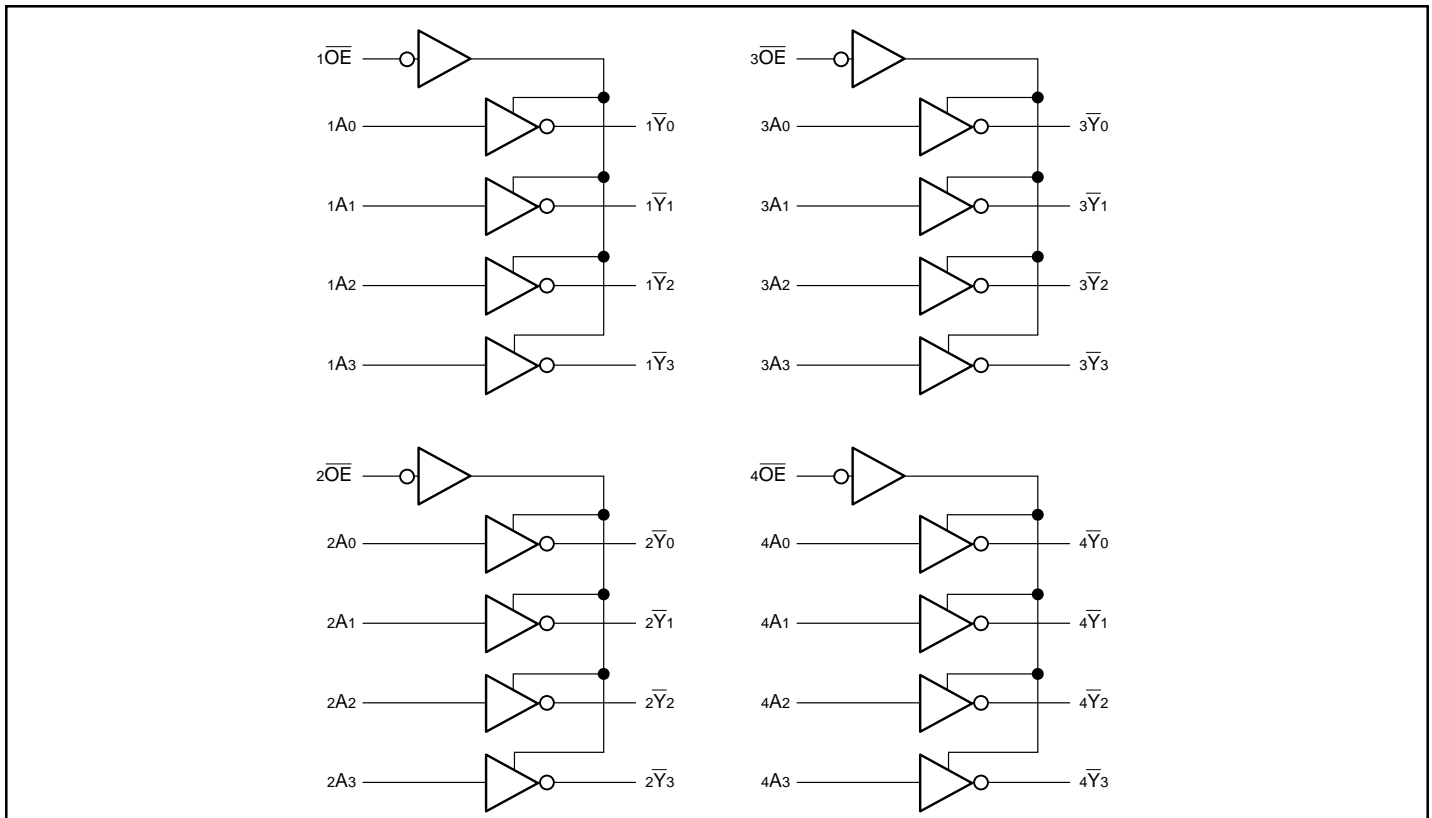
The PI74FCT16240T, PI74FCT162240T, and PI74FCT162H240T are inverting 16-bit buffer/line drivers designed for applications driving high capacitance loads and low impedance backplanes. These high-speed, low power devices offer bus/backplane interface capability and a flow-through organization for ease of board layout. These devices are designed with three-state controls to operate in a Quad-Nibble, Dual-Byte, or a single 16-bit word mode.

The PI74FCT16240T output buffers are designed with a Power-Off disable allowing "live insertion" of boards when used as backplane drivers.

The PI74FCT162240T has $\pm 24\text{ mA}$ balanced output drivers. It is designed with current limiting resistors at its outputs to control the output edge rate resulting in lower ground bounce and undershoot. This eliminates the need for external terminating resistors for most interface applications.

The PI74FCT162H240T has "Bus Hold" which retains the input's last state whenever the input goes to high-impedance preventing "floating" inputs and eliminating the need for pull-up/down resistors.

Logic Block Diagram



Product Pin Description

| Pin Name | Description |
|------------------|---|
| \overline{xOE} | 3-State Output Enable Inputs (Active LOW) |
| xAx | Inputs ⁽¹⁾ |
| \overline{xYx} | 3-State Outputs |
| GND | Ground |
| VCC | Power |

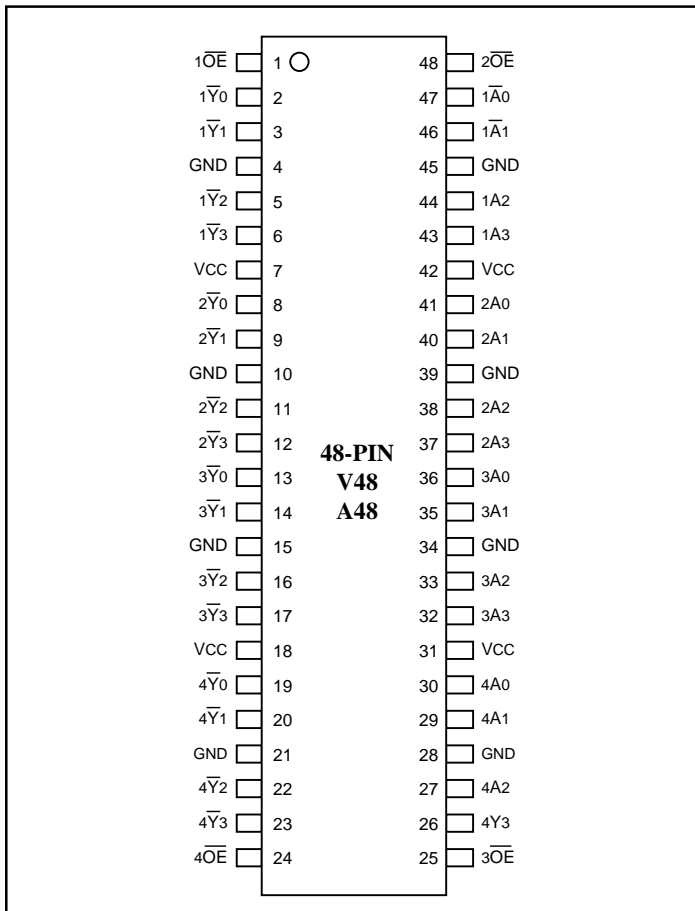
Note: 1. For the PI74FCT162H240T, these pins have "Bus Hold."
All other pins are standard, outputs, or I/Os.

Truth Table

| Inputs ⁽¹⁾ | | Outputs ⁽¹⁾ |
|-----------------------|-------|------------------------|
| \overline{xOE} | xAx | \overline{xYx} |
| L | L | H |
| L | H | L |
| H | X | Z |

Note: 1. H = High Voltage Level
X = Don't Care
L = Low Voltage Level
Z = High Impedance

Product Pin Configuration



Maximum Ratings

(Above which the useful life may be impaired. For user guidelines, not tested.)

| | |
|---|-----------------|
| Storage Temperature | -65°C to +150°C |
| Ambient Temperature with Power Applied | -40°C to +85°C |
| Supply Voltage to Ground Potential (Inputs & Vcc Only) | -0.5V to +7.0V |
| Supply Voltage to Ground Potential (Outputs & D/O Only) | -0.5V to +7.0V |
| DC Input Voltage | -0.5V to +7.0V |
| DC Output Current | 120mA |
| Power Dissipation | 1.0W |

Note:

Stresses greater than those listed under MAXIMUM RATINGS may cause permanent damage to the device. This is a stress rating only and functional operation of the device at these or any other conditions above those indicated in the operational sections of this specification is not implied. Exposure to absolute maximum rating conditions for extended periods may affect reliability.

DC Electrical Characteristics (Over the Operating Range, TA = -40°C to +85°C, VCC = 5.0V ± 10%)

| Parameters | Description | Test Conditions ⁽¹⁾ | | Min. | Typ ⁽²⁾ | Max. | Units |
|---------------------------------|--------------------------|---|-----------------------------------|------|--------------------|------|-------|
| V _{IH} | Input HIGH Voltage | Guaranteed Logic HIGH Level | | 2.0 | | | V |
| V _{IL} | Input LOW Voltage | Guaranteed Logic LOW Level | | | | 0.8 | V |
| I _{IH} | Input HIGH Current | Standard Input, V _{CC} = Max. | V _{IN} = V _{CC} | | | 1 | μA |
| I _{IH} | Input HIGH Current | Standard I/O, V _{CC} = Max. | V _{IN} = V _{CC} | | | 1 | μA |
| I _{IH} | Input HIGH Current | Bus Hold Input ⁽⁴⁾ , V _{CC} = Max. | V _{IN} = V _{CC} | | | ±100 | μA |
| I _{IH} | Input HIGH Current | Bus Hold I/O ⁽⁴⁾ , V _{CC} = Max. | V _{IN} = V _{CC} | | | ±100 | μA |
| I _{IL} | Input LOW Current | Standard Input, V _{CC} = Min. | V _{IN} = GND | | | -1 | μA |
| I _{IL} | Input LOW Current | Standard I/O, V _{CC} = Min. | V _{IN} = GND | | | -1 | μA |
| I _{IL} | Input LOW Current | Bus Hold Input ⁽⁴⁾ , V _{CC} = Min. | V _{IN} = GND | | | ±100 | μA |
| I _{IL} | Input LOW Current | Bus Hold I/O ⁽⁴⁾ , V _{CC} = Min. | V _{IN} = GND | | | ±100 | μA |
| I _{BHH} | Bus Hold Sustain Current | Bus Hold Input ⁽⁴⁾ , V _{CC} = Min. | V _{IN} = 2.0V | -50 | | | μA |
| I _{BHL} | | | V _{IN} = 0.8V | +50 | | | |
| I _{OZH} ⁽⁵⁾ | High Impedance | V _{CC} = Max. | V _{OUT} = 2.7V | | | 1 | μA |
| I _{OZL} ⁽⁵⁾ | Output Current | V _{CC} = Max. | V _{OUT} = 0.5V | | | -1 | μA |
| V _{IK} | Clamp Diode Voltage | V _{CC} = Min., I _{IN} = -18 mA | | | -0.7 | -1.2 | V |
| I _{OS} | Short Circuit Current | V _{CC} = Max. ⁽³⁾ , V _{OUT} = GND | | -80 | -140 | -200 | mA |
| I _O | Output Drive Current | V _{CC} = Max. ⁽³⁾ , V _{OUT} = 2.5V | | -50 | | -180 | mA |
| V _H | Input Hysteresis | | | | 100 | | mV |

Notes:

1. For Max. or Min. conditions, use appropriate value specified under Electrical Characteristics for the applicable device type.
2. Typical values are at V_{CC} = 5.0V, +25°C ambient and maximum loading.
3. Not more than one output should be shorted at one time. Duration of the test should not exceed one second.
4. Pins with Bus Hold are identified in the pin description.
5. This specification does not apply to bi-directional functionalities with Bus Hold.

PI74FCT16240T Output Drive Characteristics (Over the Operating Range)

| Parameters | Description | Test Conditions ⁽¹⁾ | Min. | Typ ⁽²⁾ | Max. | Units |
|------------|---------------------|--------------------------------|----------------|--------------------|------|-------|
| VOH | Output HIGH Voltage | VCC = Min., VIN = VIH or VIL | IOH = -3.0 mA | 2.5 | 3.5 | V |
| | | | IOH = -15.0 mA | 2.4 | 3.5 | |
| | | | IOH = -32.0 mA | 2.0 | 3.0 | |
| VOL | Output LOW Voltage | VCC = Min., VIN = VIH or VIL | | 0.2 | 0.55 | V |
| IOFF | Power Down Disable | VCC = 0V, VIN or VOUT ≤ 4.5V | — | — | ±100 | μA |

PI74FCT162240T/162H240T Output Drive Characteristics (Over the Operating Range)

| Parameters | Description | Test Conditions ⁽¹⁾ | Min. | Typ ⁽²⁾ | Max. | Units |
|------------|---------------------|--|------|--------------------|------|-------|
| VOH | Output HIGH Voltage | VCC = Min., VIN = VIH or VIL | | 3.3 | | V |
| VOL | Output LOW Voltage | VCC = Min., VIN = VIH or VIL | | 0.3 | 0.55 | V |
| IODL | Output LOW Current | VCC = 5V, VIN = VIH OR VIL, VOUT = 1.5V ⁽³⁾ | 60 | 115 | 150 | mA |
| IODH | Output HIGH Current | VCC = 5V, VIN = VIH OR VIL, VOUT = 1.5V ⁽³⁾ | -60 | -115 | -150 | mA |

Capacitance (TA = 25°C, f = 1 MHz)

| Parameters ⁽⁴⁾ | Description | Test Conditions | Typ | Max. | Units |
|---------------------------|--------------------|-----------------|-----|------|-------|
| CIN | Input Capacitance | VIN = 0V | 4.5 | 6 | pF |
| COU | Output Capacitance | VOUT = 0V | 5.5 | 8 | pF |

Notes:

1. For Max. or Min. conditions, use appropriate value specified under Electrical Characteristics for the applicable device type.
2. Typical values are at VCC = 5.0V, +25°C ambient and maximum loading.
3. Not more than one output should be shorted at one time. Duration of the test should not exceed one second.
4. This parameter is determined by device characterization but is not production tested.

Power Supply Characteristics

| Parameters | Description | Test Conditions ⁽¹⁾ | | Min. | Typ ⁽²⁾ | Max. | Units |
|------------------|---|--|--|------|--------------------|---------------------|------------|
| I _{CC} | Quiescent Power Supply Current | V _{CC} = Max. | V _{IN} = GND or V _{CC} | | 0.1 | 500 | μA |
| ΔI _{CC} | Supply Current per Input @ TTL HIGH | V _{CC} = Max. | V _{IN} = 3.4 V ⁽³⁾ | | 0.5 | 1.5 | mA |
| I _{CCD} | Supply Current per Input per MHz ⁽⁴⁾ | V _{CC} = Max., Outputs Open x \overline{OE} = GND One Bit Toggling 50% Duty Cycle | V _{IN} = V _{CC} V _{IN} = GND | | 60 | 100 | μA/ MHz |
| I _C | Total Power Supply Current ⁽⁶⁾ | V _{CC} = Max., Outputs Open f _i = 10 MHz 50% Duty Cycle x \overline{OE} = GND One Bit Toggling | V _{IN} = V _{CC} V _{IN} = GND | | 0.6 | 1.5 ⁽⁵⁾ | mA |
| | | | V _{IN} = 3.4 V V _{IN} = GND | | 0.9 | 2.3 ⁽⁵⁾ | |
| | | V _{CC} = Max., Outputs Open f _i = 2.5 MHz 50% Duty Cycle x \overline{OE} = GND 16 Bits Toggling | V _{IN} = V _{CC} V _{IN} = GND | | 2.4 | 4.5 ⁽⁵⁾ | |
| | | | V _{IN} = 3.4 V V _{IN} = GND | | 6.4 | 16.5 ⁽⁵⁾ | |

Notes:

- For Max. or Min. conditions, use appropriate value specified under Electrical Characteristics for the applicable device.
- Typical values are at V_{CC} = 5.0 V, +25°C ambient.
- Per TTL driven input (V_{IN} = 3.4 V); all other inputs at V_{CC} or GND.
- This parameter is not directly testable, but is derived for use in Total Power Supply Calculations.
- Values for these conditions are examples of the I_{CC} formula. These limits are guaranteed but not tested.
- I_C = I_{QUIESCENT} + I_{INPUTS} + I_{DYNAMIC}
 $I_C = I_{CC} + \Delta I_{CC} D_H N_T + I_{CCD} (f_{CP}/2 + f_i N_i)$
 I_{CC} = Quiescent Current
 ΔI_{CC} = Power Supply Current for a TTL High Input (V_{IN} = 3.4 V)
 D_H = Duty Cycle for TTL Inputs High
 N_T = Number of TTL Inputs at D_H
 I_{CCD} = Dynamic Current Caused by an Input Transition Pair (HLH or LHL)
 f_{CP} = Clock Frequency for Register Devices (Zero for Non-Register Devices)
 f_i = Input Frequency
 N_i = Number of Inputs at f_i
 All currents are in milliamps and all frequencies are in megahertz.

PI74FCT16240T Switching Characteristics over Operating Range

| Parameters | Description | Conditions ⁽¹⁾ | 16240T | | 16240AT | | 16240CT | | 16240DT | | 16240ET | | Unit |
|--------------|---|---------------------------|--------|------|---------|-----|---------|-----|---------|-----|---------|-----|------|
| | | | Com. | | Com. | | Com. | | Com. | | Com. | | |
| | | | Min | Max | Min | Max | Min | Max | Min | Max | Min | Max | |
| tPLH tPHL | Propagation Delay xAX to xYx | CL = 50 pF RL = 500Ω | 1.5 | 8.0 | 1.5 | 4.8 | 1.5 | 4.3 | 1.5 | 3.6 | 1.5 | 3.2 | ns |
| tpZH tpZL | Output Enable Time xOE to xAx or xYx | | 1.5 | 10.0 | 1.5 | 6.2 | 1.5 | 5.8 | 1.5 | 4.8 | 1.5 | 4.4 | ns |
| tpHZ tPLZ | Output Disable Time ⁽³⁾ xOE to xAx or xYx | | 1.5 | 9.5 | 1.5 | 5.6 | 1.5 | 5.2 | 1.5 | 4.0 | 1.5 | 4.0 | ns |
| tsk(o) | Output Skew ⁽⁴⁾ | | — | 0.5 | — | 0.5 | — | 0.5 | — | 0.5 | — | 0.5 | ns |

PI74FCT162240T Switching Characteristics over Operating Range

| Parameters | Description | Conditions ⁽¹⁾ | 162240T | | 162240AT | | 162240CT | | 162240DT | | 162240ET | | Unit |
|--------------|---|---------------------------|---------|------|----------|-----|----------|-----|----------|-----|----------|-----|------|
| | | | Com. | | Com. | | Com. | | Com. | | Com. | | |
| | | | Min | Max | Min | Max | Min | Max | Min | Max | Min | Max | |
| tPLH tPHL | Propagation Delay xAX to xYx | CL = 50 pF RL = 500Ω | 1.5 | 8.0 | 1.5 | 4.8 | 1.5 | 4.3 | 1.5 | 3.6 | 1.5 | 3.2 | ns |
| tpZH tpZL | Output Enable Time xOE to xAx or xYx | | 1.5 | 10.0 | 1.5 | 6.2 | 1.5 | 5.8 | 1.5 | 4.8 | 1.5 | 4.4 | ns |
| tpHZ tPLZ | Output Disable Time ⁽³⁾ xOE to xAx or xYx | | 1.5 | 9.5 | 1.5 | 5.6 | 1.5 | 5.2 | 1.5 | 4.0 | 1.5 | 4.0 | ns |
| tsk(o) | Output Skew ⁽⁴⁾ | | — | 0.5 | — | 0.5 | — | 0.5 | — | 0.5 | — | 0.5 | ns |

PI74FCT162H240T Switching Characteristics over Operating Range

| Parameters | Description | Conditions ⁽¹⁾ | 162H240T | | 162H240AT | | 162H240CT | | 162H240DT | | 162H240ET | | Unit |
|--------------|---|---------------------------|----------|------|-----------|-----|-----------|-----|-----------|-----|-----------|-----|------|
| | | | Com. | | Com. | | Com. | | Com. | | Com. | | |
| | | | Min | Max | Min | Max | Min | Max | Min | Max | Min | Max | |
| tPLH tPHL | Propagation Delay xAX to xYx | CL = 50 pF RL = 500Ω | 1.5 | 8.0 | 1.5 | 4.8 | 1.5 | 4.3 | 1.5 | 3.6 | 1.5 | 3.2 | ns |
| tpZH tpZL | Output Enable Time xOE to xAx or xYx | | 1.5 | 10.0 | 1.5 | 6.2 | 1.5 | 5.8 | 1.5 | 4.8 | 1.5 | 4.4 | ns |
| tpHZ tPLZ | Output Disable Time ⁽³⁾ xOE to xAx or xYx | | 1.5 | 9.5 | 1.5 | 5.6 | 1.5 | 5.2 | 1.5 | 4.0 | 1.5 | 4.0 | ns |
| tsk(o) | Output Skew ⁽⁴⁾ | | — | 0.5 | — | 0.5 | — | 0.5 | — | 0.5 | — | 0.5 | ns |

Notes:

1. See test circuit and wave forms.
2. Minimum limits are guaranteed but not tested on Propagation Delays.
3. This parameter is guaranteed but not production tested.
4. Skew between any two outputs, of the same package, switch in the same direction.
This parameter is guaranteed by design.