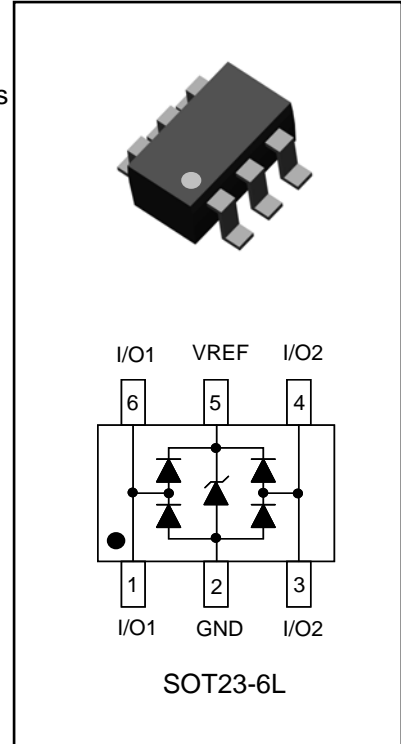


## Low Capacitance TVS and Diode Array

This diode array is configured to protect up to two data transmission lines acting as a line terminator, minimizing overshoot and undershoot conditions due to bus impedance as well as protect against over-voltage events as electrostatic discharges. Additionally the TVS Device offers overvoltage transient protection between the operating voltage bus and ground plane.

### SPECIFICATION FEATURES

- Peak Power Dissipation of 350W 8/20 $\mu$ s
- Maximum Capacitance of 5.0pF at 0Vdc 1MHz Line-to-Ground
- Maximum Leakage Current of 1 $\mu$ A @ VRWM
- Industry Standard SMT Package SOT23-6L
- IEC61000-4-2, IEC61000-4-4 and IEC61000-4-5 Full Compliance
- 100% Tin Matte finish (LEAD-FREE PRODUCT)



### APPLICATIONS

- USB 2.0 and Firewire Port Protection
- LAN/WLAN Access Point terminals
- Video Signal line protection
- I<sup>2</sup>C Bus Protection



### MAXIMUM RATINGS $T_j = 25^\circ\text{C}$ Unless otherwise noted

Rating	Symbol	Value	Units
Peak Pulse Power (8/20 $\mu$ s Waveform)	$P_{PPM}$	350	W
Peak Pulse Current (8/20 $\mu$ s Waveform)	$I_{PP}$	17.5	A
Operating Junction Temperature Range	$T_J$	-55 to +125	$^\circ\text{C}$
Storage Temperature Range	$T_{stg}$	-55 to +150	$^\circ\text{C}$
Soldering Temperature, t max = 10s	$T_L$	260	$^\circ\text{C}$



ELECTRICAL CHARACTERISTICS Tj = 25°C unless otherwise noted

DRAFT SPEC

Parameter	Symbol	Conditions	Min	Typical	Max	Units
Reverse Stand-Off Voltage	$V_{WRM}$				5	V
Reverse Breakdown Voltage	$V_{BR}$	$I_{BR} = 1mA$	6.2			V
Reverse Leakage Current	$I_R$	$V_R = 5V$			1	$\mu A$
Clamping Voltage (8/20 $\mu s$ )	$V_C$	$I_{pp} = 1A$			9.5	V
Clamping Voltage (8/20 $\mu s$ )	$V_C$	$I_{pp} = 10A$			12	V
Clamping Voltage (8/20 $\mu s$ )	$V_C$	$I_{pp} = 17.5A$			20	V
Off State Junction Capacitance	$C_j$	0 Vdc Bias f = 1MHz Between I/O pins and GND			4.0	pF
		0 Vdc Bias f = 1MHz Between I/O pins			2.5	pF



PACKAGE DIMENSIONS

DRAFT SPEC

