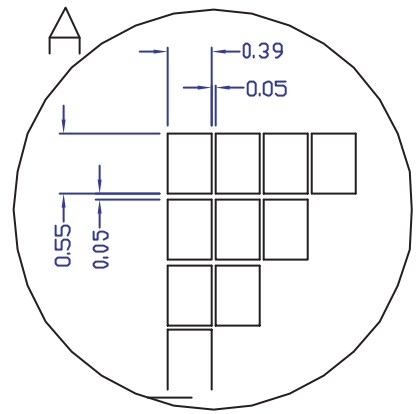
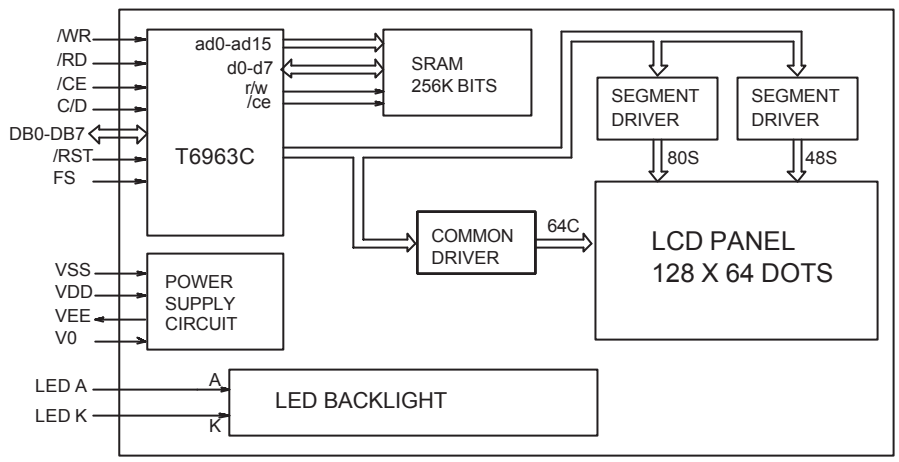


* FOR LED BACKLIGHT
 T1=14.0MAX T2=9.0±0.3
 * FOR EL OR NO BACKLIGHT
 T1=11.0MAX T2=6.0±0.3



REVISIONS

NO.	DATE	BY	DESCRIPTION
1	04/10/28	A.CH	NEW RELEASE

PINS ASSIGNMENT

NO.	SYMBOL	DESCRIPTION
1	VEE	NEGATIVE VOLTAGE OUTPUT/INPUT(-10V)
2	VSS	GROUND
3	VDD	POWER SUPPLY
4	V0	OPERATING VOLTAGE FOR LCD
5	/WR	WRITE SIGNAL
6	/RD	READ SIGNAL
7	/CE	CHIP ENABLE SIGNAL
8	C/D	COMMAND/DATA SELECTION
9	/RST	RESET SIGNAL
10-17	DB0-DB7	DATA BUS
18	FS	FONT SELECTION(L:8X8, H:6X8)
19	A	POWER SUPPLY FOR LED BACKLIGHT(+)
20	K	POWER SUPPLY FOR LED BACKLIGHT(-)

ABSOLUTE MAXIMUM RATING

ITEM	SYMBOL	MIN	MAX	UNIT
POWER SUPPLY(LOGIC)	VDD-VSS	0	6.5	V
POWER SUPPLY(LCD DRV.)	VDD-V0	0	18.0	V
INPUT VOLTAGE	VI	VI	VDD	V

ELECTRICAL CHARACTERISTICS

ITEM	SYMBOL	MIN	TYP	MAX	UNIT
VOLTAGE FOR LOGIC	VDD-VSS	4.75	5.0	5.25	V
SUPPLY CURRENT	IDD	-	5.1	9.8	mA
LCD OPERATING VOLTAGE	0C	-	9.2	-	V
	25C	-	9.0	-	V
	40C	-	8.8	-	V
INPUT VOLTAGE	H	VIH	0.7VDD	-	V
	L	VL	0	0.3VDD	V

MECHANICAL SPECIFICATIONS

ITEM	SPECIFICATION	UNIT
OVERALL SIZE	78.0W x 70.0H x 14.0T(11.0T)	MM
VIEWING AREA	62.0W x 44.0H	MM
DOT NUMBER	128 x 64	DOTS
DOT SIZE	0.39W x 0.55H	MM
DOT PITCH	0.44W x 0.60H	MM

- OPTIONS
- LCD TYPE: Y/G STN; GRAY STN; B/V FSTN
 - BACKLIGHT: WITHOUT BACKLIGHT; LED; EL
 - COLOR OF BACKLIGHT: Y/G; BLUE; WHITE
 - TEMPERATURE RANGE: NORMAL(0--50C); EXTENDED(-20--70C)
 - POWER SUPPLY: ON BOARD DC/DC(SINGLE 5.0V); DUAL POWER SUPPLY(5.0V & -5.0V)
 - VIEWING ANGLE: 6H; 12H