

# Prescaler Circuit 2.1 GHz

PMB 2314T

Version 1.5

Wireless Infrastructure



N e v e r   s t o p   t h i n k i n g .

**Edition 2003-12-04**

**Published by Infineon Technologies AG,  
St.-Martin-Strasse 53,  
81669 München, Germany**

**© Infineon Technologies AG 2003.  
All Rights Reserved.**

**Attention please!**

The information herein is given to describe certain components and shall not be considered as a guarantee of characteristics.

Terms of delivery and rights to technical change reserved.

We hereby disclaim any and all warranties, including but not limited to warranties of non-infringement, regarding circuits, descriptions and charts stated herein.

**Information**

For further information on technology, delivery terms and conditions and prices please contact your nearest Infineon Technologies Office ([www.infineon.com](http://www.infineon.com)).

**Warnings**

Due to technical requirements components may contain dangerous substances. For information on the types in question please contact your nearest Infineon Technologies Office.

Infineon Technologies Components may only be used in life-support devices or systems with the express written approval of Infineon Technologies, if a failure of such components can reasonably be expected to cause the failure of that life-support device or system, or to affect the safety or effectiveness of that device or system. Life support devices or systems are intended to be implanted in the human body, or to support and/or maintain and sustain and/or protect human life. If they fail, it is reasonable to assume that the health of the user or other persons may be endangered.



## Table of Contents

<b>1</b>	<b>Overview</b> .....	<b>5</b>
<b>2</b>	<b>Pin Assignment</b> .....	<b>6</b>
<b>3</b>	<b>Block Diagram</b> .....	<b>7</b>
<b>4</b>	<b>Absolute Maximum Ratings</b> .....	<b>8</b>
<b>5</b>	<b>Operating Range</b> .....	<b>8</b>
<b>6</b>	<b>AC/DC Characteristics</b> .....	<b>9</b>
<b>7</b>	<b>Test Circuit</b> .....	<b>10</b>
<b>8</b>	<b>Application Circuit</b> .....	<b>11</b>
<b>9</b>	<b>Diagrams</b> .....	<b>12</b>
	- Definition of Modulus Set-Up Time	
	- Input Dynamic Range	
<b>10</b>	<b>Package Outlines</b> .....	<b>13</b>

# 1 Overview – Prescaler Circuit 2.1 GHz

## 1.1 Functional Description/ Application

The IC is designed for use in mobile radio communication devices up to 2100 MHz and upconversion systems up to 2500 MHz.

Due to low power consumption and low phase noise generation, the PMB2314T is suitable for use in battery powered handheld systems, e.g. GSM, cordless telephones and cordless consumer products, as well as in basestations.

Low supply voltage down to 2.7V. It can be switched to a low-power standby mode.

Internal current source at the emitter follower output. No external resistor needed in typical applications.

The divide ratio is 1:64/65 or 1:128/129 depending on the external circuit configuration.

## 1.2 Circuit Description

The differential inputs of the IC may be connected either balanced or single ended. In the latter case the unused input must be RF-grounded with a capacitor (about 10 pF) with a low serial inductance.

Depending on the logic level at SW input the basic divide ratio of the ECL-stages is fixed to 1:64/65 or 1:128/129. The MOD input determines whether modulus 1:n or 1:n+1 (n=64 or 128 according to SW-level) is active.

The IC can be switched to a low-power standby mode (input STB).

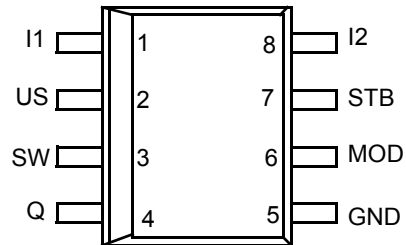
The MOD input is TTL/CMOS compatible.

The emitter follower output is CMOS compatible according to the application circuit on page 12. The minimum logic swing is  $0.8 V_{pp}$ .

**Table 1**    **Function Table**

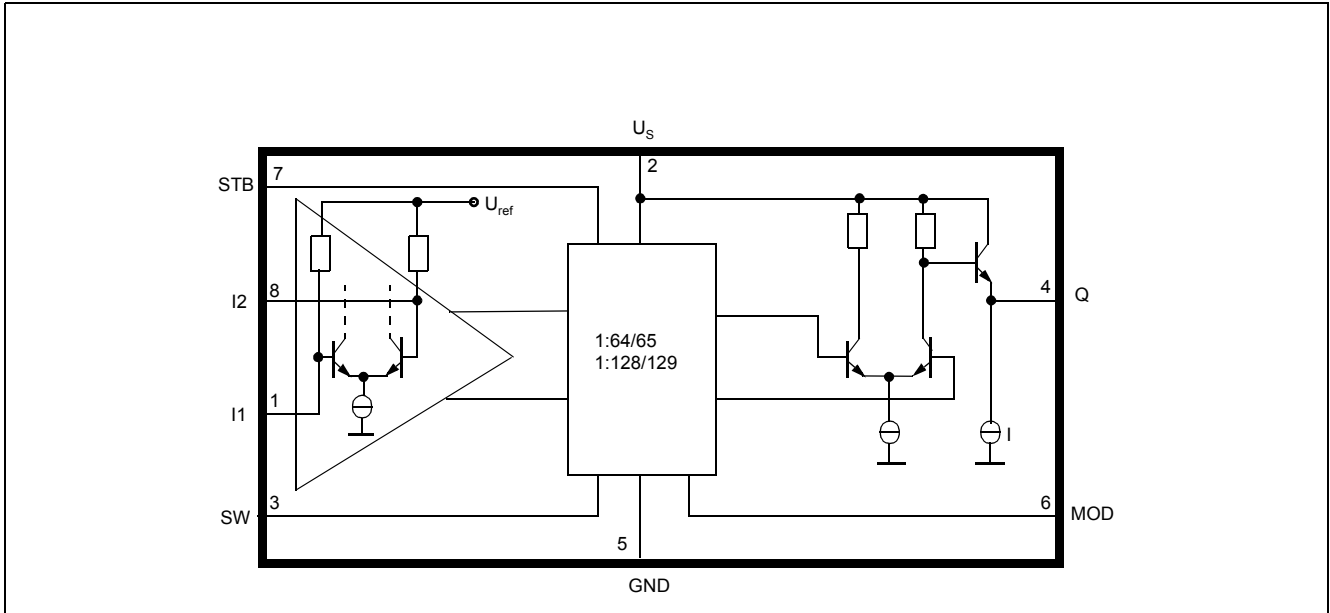
Input pin	Logic level	Prescaler function
<b>SW</b>	HIGH = $U_S - 0.1 V$ to $U_S$ LOW = GND to 0.8 V or open	1:64/65 1:128/129
<b>MOD</b>	HIGH = 2.0 V to $U_S$ or open LOW = GND to 0.8 V	1:64/1:128 1:65/1:129
<b>STB</b>	HIGH = $U_S - 0.1 V$ to $U_S$ LOW = GND to 0.8 V	Divider Q=HIGH, STANDBY-mode

## 2 Pin Assignment



- Pin 1 RF-input I1
- Pin 2 supply voltage  $U_s$
- Pin 3 divide ratio 1:64/65 - 1:128/129 control input (SW)
- Pin 4 output Q
- Pin 5 GND
- Pin 6 modulus 1:n/n+1 (n=64 or 128) control input (MOD)
- Pin 7 standby mode control input (STB)
- Pin 8 RF-input I2

### 3 Block Diagram



## 4 Absolute Maximum Ratings

 $T_A = -40 \text{ to } 85 \text{ }^\circ\text{C}$ 

Parameter	Symbol	Limit Values		Unit	Remarks
		min.	max.		
Supply voltage	$U_S$	-0.3	6	V	
Input level (Pin 1; Pin 8)	$U_I$		2	V	$U_S=0V$
Voltage swing (Pin 1 to 8)	$U_{118}$	-2	2	V	
Input level (Pin 3; Pin 6; Pin 7)	$U_{SW,}$ $U_{MOD,}$ $U_{STB,}$	-0.3	$U_S+0.7V$ or 5.5V if $U_S+0.7V >$ 5.5V	V	$U_S=2.7...5.5V$
Output level (Pin 4)	$U_Q$		$U_S$	V	
Output current (Pin 4)	$-I_Q$		5	mA	
Junction temperature	$T_j$		125	$^\circ\text{C}$	
Storage temperature	$T_S$	-65	125	$^\circ\text{C}$	
Thermal resistance system-ambient	$R_{thsa}$		185	K/W	

The maximum ratings may not be exceeded under any circumstances, not even momentarily and individually, as permanent damage to the IC will result.

**ESD-integrity ( according MIL-STD 883D, Meth. 3015.7): 500V**

## 5 Operating Range

Parameter	Symbol	Limit Values		Unit	Remarks
		min.	max.		
Supply Voltage	$U_S$	2.7	5.5	V	
Input frequency	$f$	100	2300	MHz	
Ambient temperature	$T_A$	-40	85	$^\circ\text{C}$	

Within the operational range the IC operates as described in the circuit description. The AC / DC characteristic limits are not guaranteed.



## 6 AC/DC Characteristics

**Supply voltage**  $V_S=2.7$  to  $5.5V$

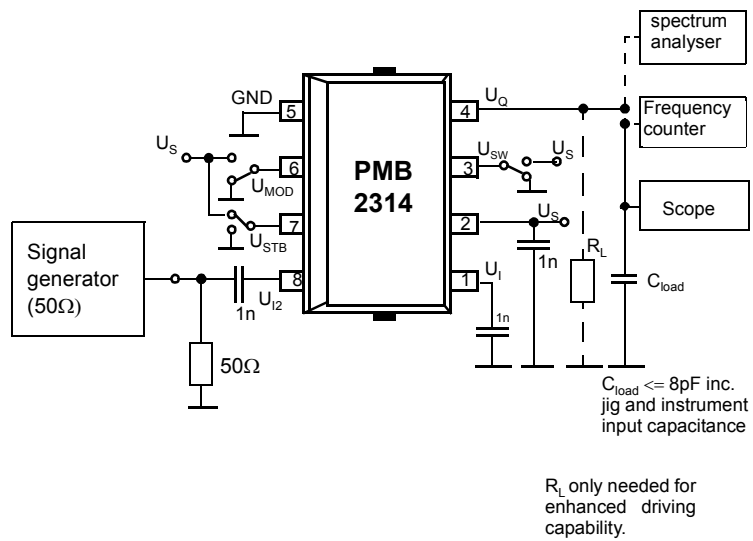
**Ambient temperature**  $T_A = -20$  to  $85$  °C (referred to the test circuit)

Parameter	Symbol	Limit Values			Unit	Test Condition
		min.	typ.	max.		
<b>Supply Current</b>						
Supply current normal operation	$I_S$		2.7	3.3	mA	inputs RF-grounded, $U_S=2.7$ , $T_A = 25$ °C, STB= $V_S$ output open
	$I_S$		2.8	3.4	mA	inputs RF-grounded, $U_S=4.0$ , $T_A = 25$ °C, STB= $V_S$ output open
	$I_S$		2.9	3.5	mA	inputs RF-grounded, $V_S=5.5$ , $T_A = 25$ °C, STB= $V_S$ output open
Supply current standby-mode	$I_{STB}$			0.1	mA	inputs RF-grounded, output open, STB = GND
<b>RF Input I1,I2</b>						
Input level dynamic range	$P_{in}$	-20		4	dBm	100-1500MHz (sine wave)
	$P_{in}$	-20		-3	dBm	2100 MHz ( diagram 2 )
<b>Output Q</b>						
Output logic swing	$U_Q$	1	1.1		VPP	$C_L \leq 12pF$ , $R_L=2k\Omega$
	$U_Q$	0.8	1.1		VPP	$C_L \leq 8pF$
Internal current source	I		400		$\mu A$	see block diagram
<b>Divider Ratio Control Input SW</b>						
Voltage high	$V_{SWH}$	$V_S-0.1$		$V_S$	V	
Voltage low	$V_{SWL}$	GND		0.8	V	
Input current high	$I_{SWH}$			60	$\mu A$	SW= $V_S$
Input current low	$-I_{SWL}$			30	$\mu A$	SW=GND
<b>Modulus Control Input MOD</b>						
Voltage high	$V_{MODH}$	2.3		$V_S$	V	
Voltage low	$V_{MODL}$	GND		0.8	V	
Input current high	$I_{MODH}$			50	$\mu A$	MOD= $V_S$
Input current low	$-I_{MODL}$			120	$\mu A$	MOD=GND
<b>Standby Mode Control Input STB</b>						
Voltage high	$V_{STBH}$	$U_S-0.1$		$V_S$	V	
Voltage low	$V_{STBL}$	GND		0.8	V	
Input current high	$I_{STBH}$			30	$\mu A$	STB= $V_S$
Input current low	$-I_{STBL}$			60	$\mu A$	STB=GND
<b>Delay times</b>						
MOD setup time (diagram 1)	$t_{set}$		8	14	ns	

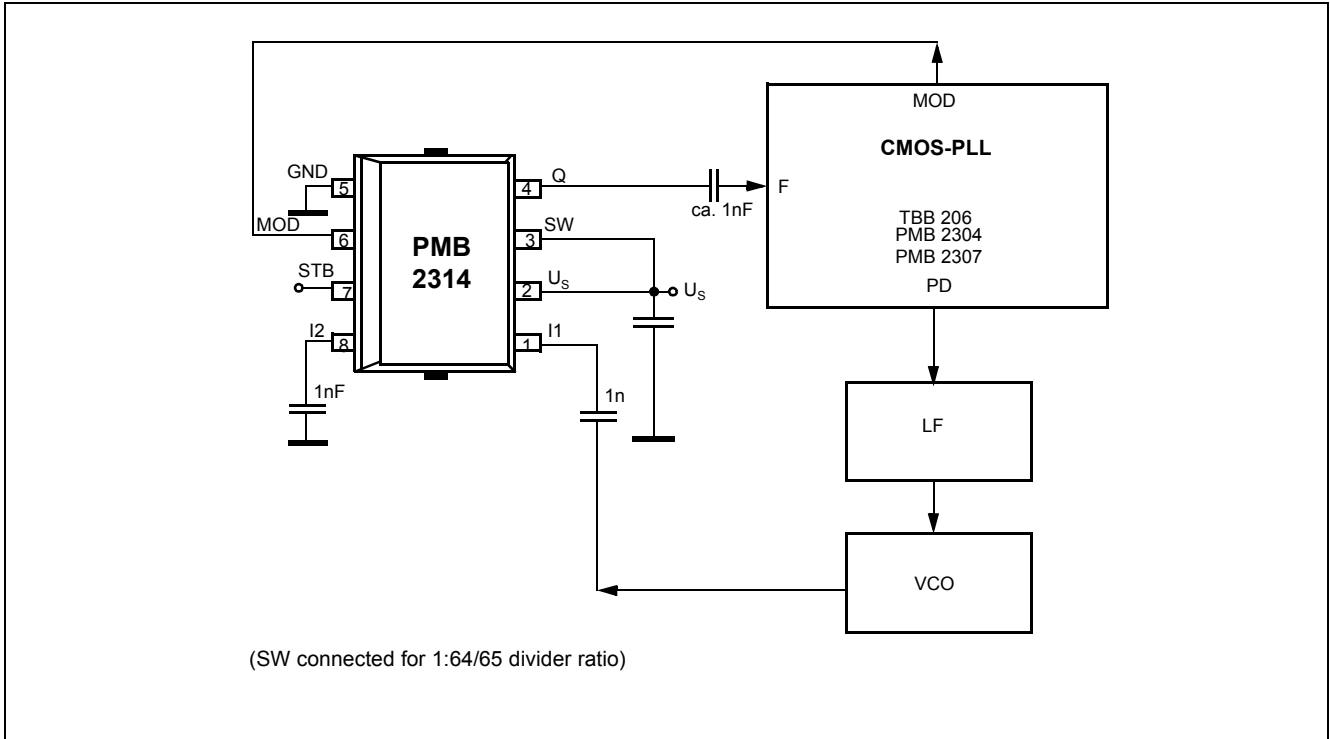
AC /DC characteristics involve the spread of values guaranteed within the specified supply voltage and ambient temperature range. Typical characteristics are the median of the production.

## 7 Test Circuit

Input sensitivity and output logic swing measurement



## 8 Application Circuit



## 9 Diagrams

Diagram 1 - Definition of Modulus Set-Up Time

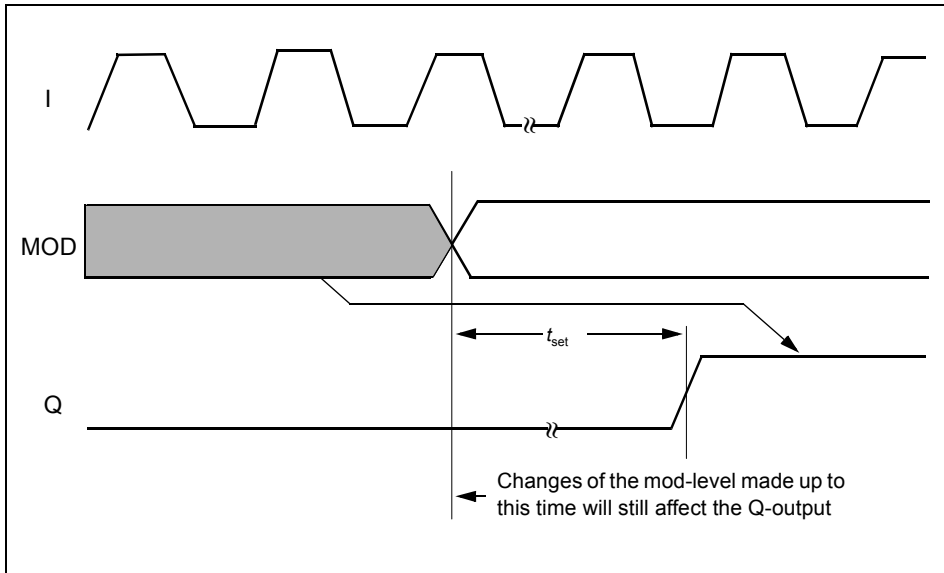
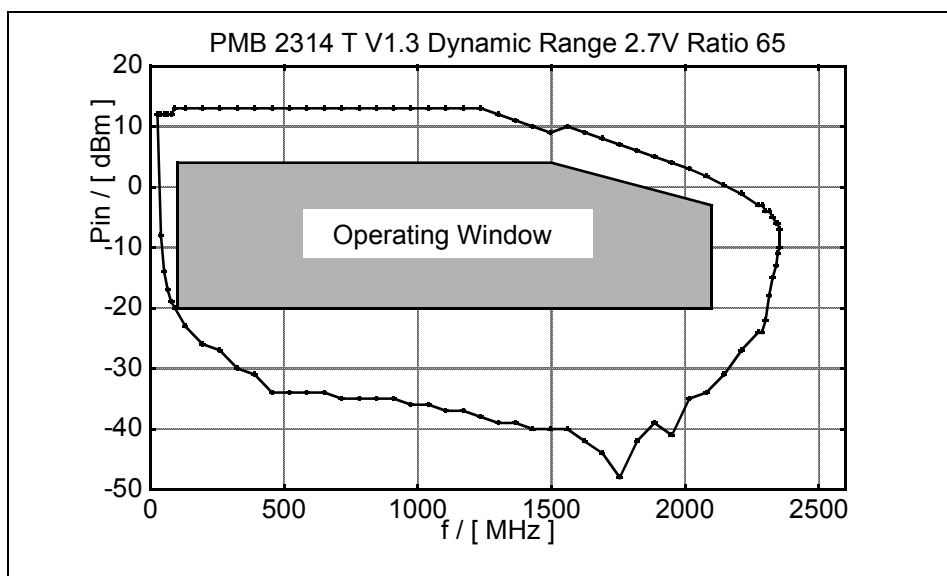
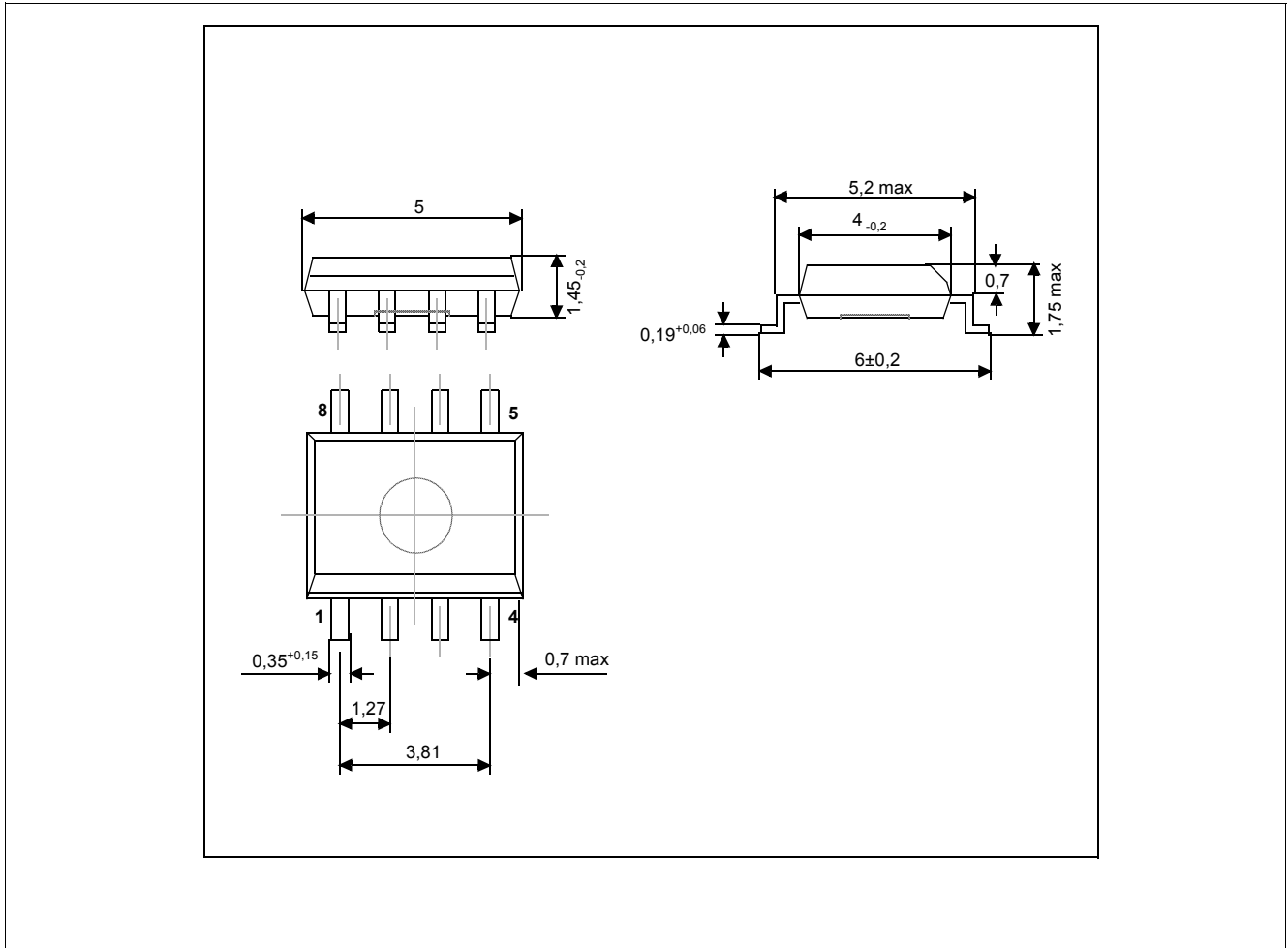


Diagram 2 - Input Dynamic Range



## 10 Package Outlines



Plastic Package, P-DSO-8, Dual-in-Line-Package, 20 A 8 DIN 41870 T16 (SMD)

[www.infineon.com](http://www.infineon.com)