

AC/DC Medical Desktop

130 Watts PMP130 Series

XPiQ inc.

Intelligent Design Quality Product



CE Marked - LVD & EMC

•
Universal Input

•
100% Burn-In

•
Low Leakage Current

•
4000 VAC Isolation

•
Input Surge Protection

•
Line & Neutral Fused

Specification

All specifications typical at nominal line, full load and 25°C

Input

- Input Voltage** • 85-130 VAC or 180 to 264 VAC auto ranging
- Input Frequency** • 47 to 63 Hz
- Input Current** • 3.0 A (rms) for 115 VAC
1.7 A (rms) for 230 VAC
- Safety Ground** • 50 μ A max at 110 VAC 60 Hz
- Leakage Current** • 100 μ A max at 240 VAC 50 Hz

Output

- Total Output Power** • See Tables
- Ripple and Noise** • 1% pk-pk max
- Overvoltage Protection** • Set at 112-132% of its nominal output voltage
- Overcurrent Protection:** • Output protected to short circuit conditions
- Temperature Coefficient:** • $\pm 0.04\%/^{\circ}\text{C}$
- Transient Response** • Maximum excursion of 4% or better on all models. Recovers to 1% of final value within 500 μ s after a 25% step load change
- Remote Sense** • Optional, please consult factory

General

- Efficiency** • 70% minimum
- Hold-up time** • 10 msec minimum at 110 VAC
- Line Regulation** • $\pm 0.5\%$ maximum at full load
- Inrush Current** • 15 A at 115 VAC or
30 A at 230 VAC at +25°C cold start
- Withstand Voltage** • 4000 VAC from input to output
1500 VAC from input to ground
500 VAC from output to ground
- Insulation Resistance** • 10 Mohm minimum from output to ground
- Switching Frequency** • 60 kHz to 75 kHz

Environmental

- Operating Temperature** • 0 °C to +70 °C, derate linearly from 100% load at +50 °C to 50% load at +70 °C
- Storage Temperature** • -40 °C to +85 °C
- Relative Humidity** • 5% to 95% non-condensing
- MTBF** • 100,000 hours minimum at full load at +25 °C ambient

EMC & Safety

- EMI Requirements** • In compliance with radiated and conducted limits of CISPR 11 (EN 55011) Class B
- Safety Requirements** • Approved to: (not for patient contact)
a) UL 2601
b) CSA C22.2 No. 601.1
c) IEC 601-1/EN60601-1

OUTPUT VOLTAGE & CURRENT RATINGS

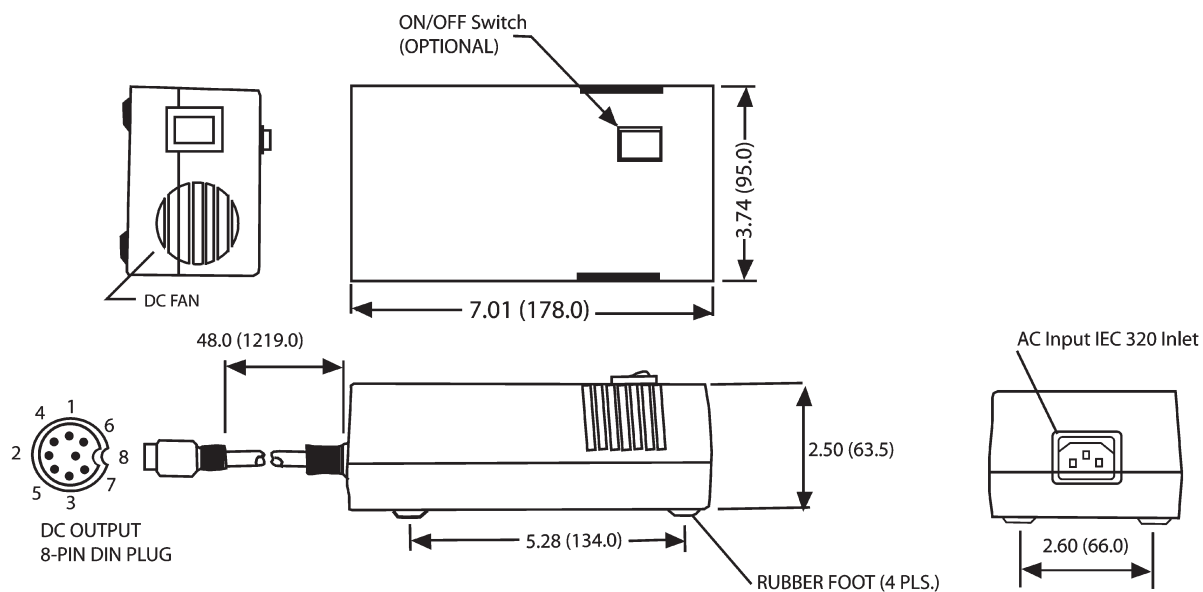
PMP130

| Maximum Output Power | Output | | | | Model Number |
|----------------------|--------|------|------------------|------|--------------|
| | Vnom | Imin | I _{max} | Tol. | |
| 130 W | 12 V | 0 A | 10.8 A | 5% | PMP130-12 |
| 130 W | 15 V | 0 A | 8.6 A | 4% | PMP130-13 |
| 130 W | 18 V | 0 A | 7.2 A | 4% | PMP130-13-1 |
| 130 W | 24 V | 0 A | 5.4 A | 3% | PMP130-14 |
| 130 W | 30 V | 0 A | 4.3 A | 3% | PMP130-16 |
| 130 W | 36 V | 0 A | 3.6 A | 2% | PMP130-17 |
| 130 W | 48 V | 0 A | 2.7 A | 2% | PMP130-18 |

Pin Chart

| Model | 1 | 2 | 3 | 4 | 5 | 6 | 7 | 8 |
|------------|--------|--------|-----------|--------|-----------|--------|-----------|-----------|
| All Models | Return | Return | Output +V | Return | Output +V | Return | Output +V | Output +V |

Mechanical Details



NOTES:

1. Dimensions shown in inches (mm).
2. Tolerance 0.02 (0.5) maximum.
3. Optional output connectors available.
4. Optional ON/OFF switch available.

*AMP Receptacle No. 212047-1 or Equivalent