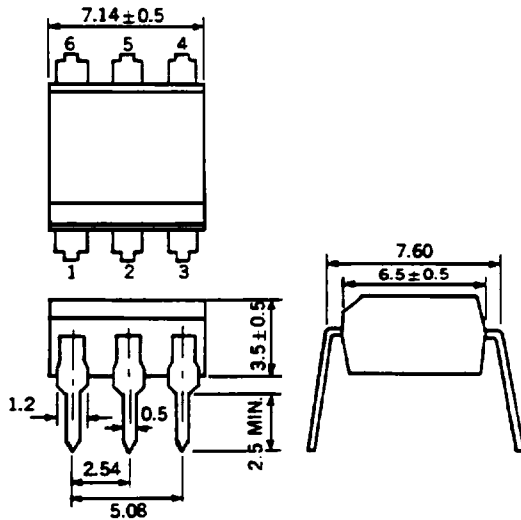


HIGH SPEED 6PIN PHOTO COUPLER

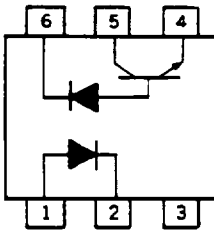
—NEPOC SERIES—

PACKAGE DIMENSIONS

(Unit: mm)

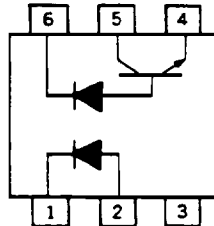


(PS2041)



- 1. Anode
- 2. Cathode
- 3. NC
- 4. Emitter
- 5. V_O
- 6. V_{CC}

(PS2042)



- 1. Cathode
- 2. Anode
- 3. NC
- 4. Emitter
- 5. V_O
- 6. V_{CC}

FEATURES

- High Speed Response 0.3 μ s TYP.
- High Isolation Voltage 2500 $V_{r.m.s.}$
- Compact, Dual In-Line Package

APPLICATIONS

1. Interface circuit for various instrumentations, control equipments.
2. Computer and peripheral manufactures.
3. TV sets.

ABSOLUTE MAXIMUM RATINGS ($T_a = 25^\circ\text{C}$)

Diode

Forward Current	I_F	25	mA
Reverse Voltage	V_R	5	V
Power Dissipation	P_D	45	mW

Detector

Supply Voltage	V_{CC}	-0.5 to 15	V
Output Voltage	V_O	-0.5 to 15	V
Output Current	I_O	8	mA
Power Dissipation	P_C	100	mW
Isolation Voltage*	BV	2500	$V_{r.m.s.}$
Storage Temperature	T_{stg}	-55 to +125	$^\circ\text{C}$
Operating Temperature	T_{opt}	-55 to +100	$^\circ\text{C}$
Lead Temperature (10 s)		260	$^\circ\text{C}$

* Condition

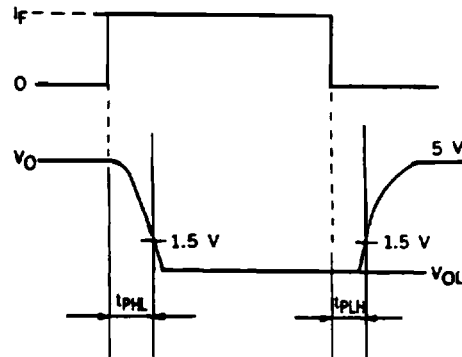
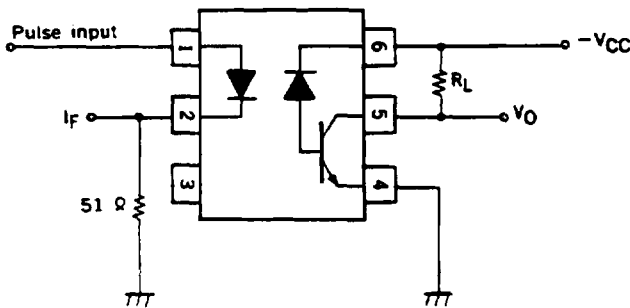
AC Voltage for 1 minute at $T_a = 25^\circ\text{C}$, RH = 60 %
between input (pin No. 1, 2, 3, Common) and output (pin No. 4, 5, 6)

ELECTRICAL CHARACTERISTICS (T_a = 25 °C)

CHARACTERISTIC		SYMBOL	MIN.	TYP.	MAX.	UNIT	TEST CONDITIONS
Diode	Forward Voltage	V _F		1.7	2.2	V	I _F = 16 mA
	Reverse Current	I _R		0.01	10	μA	V _R = 5 V
	Forward Voltage Temperature Coefficient	$\frac{\Delta V_F}{\Delta T}$		-1.6		mV/°C	I _F = 16 mA
	Capacitance	C _t		60		pF	V = 0, f = 1 MHz
Detector	High Level Output Current	I _{OH} (1)		3	500	nA	I _F = 0 mA, V _{CC} = V _O = 5.5 V
	High Level Output Current	I _{OH} (2)			100	μA	I _F = 0 mA, V _{CC} = V _O = 15 V
Coupled	Current Transfer Ratio	CTR *	15	22		%	I _F = 16 mA, V _{CC} = 4.5 V, V _O = 0.4 V
	Low Level Output Voltage	V _{OL}		0.1	0.4	V	I _F = 16 mA, V _{CC} = 4.5 V, I _O = 2.4 mA
	Low Level Supply Current	I _{CCL}		50		μA	I _F = 16 mA, V _O = Open, V _{CC} = 15 V
	High Level Supply Current	I _{CCH}		0.01	1	μA	I _F = 0 mA, V _O = Open, V _{CC} = 15 V
	Isolation Resistance	R ₁₋₂	10 ¹¹			Ω	V _{in-out} = 1 kVDC
	Isolation Capacitance	C ₁₋₂		0.7		pF	V = 0, f = 1 MHz
	Propagation Delay Time to Low Output Level	t _{PHL} **		0.3	0.8	μs	I _F = 16 mA, V _{CC} = 5 V, R _L = 1.9 kΩ
	Propagation Delay Time to High Output Level	t _{PLH} **		0.3/0.8	0.8/1.5	μs	I _F = 16 mA, V _{CC} = 5 V, R _L = 1.9 kΩ, (K/L)

- * CTR rank
 K: 15 % ~
 L: 25 % ~

- ** Measuring circuit
 input PW = 100 μs
 Duty = 10 %



TYPICAL CHARACTERISTICS ($T_a = 25^\circ\text{C}$)

