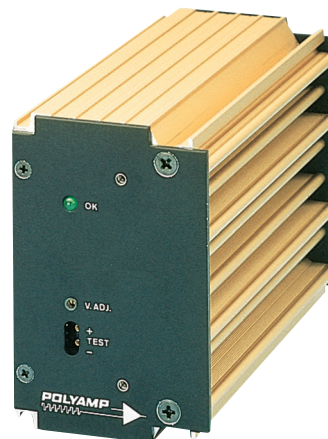


PSC150 & 240 Series

100 - 240 WATTS DC/DC SINGLE MULTI OUTPUT

Features

- Very wide input range
- Convection cooled
- Operating temperature to 70°C
- Meets IP30
- Conformal coated
- IEC1000-4-4, EN55022-3
- IEC950, EN60950



Specifications

INPUT

Nominal Voltage	See selection chart
Current at No Load (max)	3W-5W
Protection	Fuse on board, reverse voltage protection
Isolation	4000VAC
EMC	EN55011/EN55022 Level B
Soft Start	Yes with inrush current limit

OUTPUT

Power	50W, 80W, 100W, 150W, 200W and 240W
Voltage Adjustment	-10% to +10%
Current Limit	105%
Ripple & Noise pk-pk	10mV pk-pk typical
Regulation	Line: 0.2% L1 to H1; Load: 0.2% NL to FL
Temperature Coefficient	0.02% per °C
Transient Response	10% up to 100% typical <2mS
Oversvoltage Protection	parallel diode
Reverse Voltage Protection	Option
Short Circuit Protection	Yes
Overload Protection	Yes

OPERATING

Efficiency	Single outputs 79%-95% typical Multi outputs 75%-85% typical
Parallel Operation	Single outputs only (derate power by 10%)
Series Operation	Yes

ENVIRONMENTAL

Operating Temperature	-20°C to +70°C (PSC50/80 - 5V only +55°C)
Storage Temperature	-40°C to +85°C
Derating	No
Cooling	Convection

STANDARDS AND APPROVALS

Safety Standards	IEC950, IEC 60950
C-Tick	AS/NZS CISPR11: 2002 Group1 Class A
EMI standards	EN55011/EN55022, EN61000-6-3
EMC standards	EN61000-6-2, EN/IEC61000-4-4, EN61000-4-5

MECHANICAL

Case	Eurocassette
Dimensions	See drawing examples. Consult sales office for full details
Connectors	15 Pole DIN standard 41612 H15

OPTIONS

- A – Oversvoltage protection (OVP)
A built in SCR thyristor short circuits the output when an oversvoltage occurs. The trigger voltage is 15% higher than the nominal output voltage.
- C – Series diode on output
For parallel redundant applications built in series diodes can be provided. The output power may be derated depending upon the model.
- E1 – 2.5kVAC isolation between input/output and input/case.
On 24 & 48V inputs. The emission level increases to level A.
- E2 – Same as E1 but also 2.5kVAC between output/case.
- L – Front panel for eurorack 10, 12, 14 TE
- K1 – Input diode in series
- K2 – Built in glass fuse on PSC80, PSC100 and PSC150
- M – Inrush current limit with NTC-resistor on D-input
- N – Wall mounting brackets
- H15S – H15 female screw connector
- O – Rear Eurorack mounting brackets
- S – Remote sense
- NTC – Inrush current limit with NTC
- Input - Mobile application, consult sales

PSC150 & 240 Series

100-240 WATTS DC/DC SINGLE & MULTI OUTPUT

Selection Table- Single Outputs

MODEL NUMBER	INPUT	OUTPUT	CASE	OUTPUT POWER	MODEL NUMBER	INPUT	OUTPUT	CASE	OUTPUT POWER		
PSC100A5	10-30V	5V	20A	10TE	100W	PSC100CT24	40-100V	24V	4.2A	10TE	100W
PSC150A5	10-30V	5V	30A	12TE	150W	PSC150CT24	40-100V	24V	6.3A	12TE	150W
PSC100A12	10-30V	12V	8.3A	10TE	100W	PSC100CT48	40-100V	48V	2.1A	10TE	100W
PSC150A12	10-30V	12V	12.5A	12TE	150W	PSC150CT48	40-100V	48V	3.1A	12TE	150W
PSC100A13.2	10-30V	13.6V	7.4A	10TE	100W	PSC100C5	50-150V	5V	20A	10TE	100W
PSC150A13.2	10-30V	13.6V	11A	12TE	150W	PSC150C5	50-150V	5V	30A	12TE	150W
PSC100A15	10-30V	15V	6.7A	10TE	100W	PSC100C12	50-150V	12V	8.3A	10TE	100W
PSC150A15	10-30V	15V	10A	12TE	150W	PSC150C12	50-150V	12V	12.5A	12TE	150W
PSC100A24	10-30V	24V	4.2A	10TE	100W	PSC100C13.2	50-150V	13.6V	7.4A	10TE	100W
PSC150A24	10-30V	24V	6.3A	12TE	150W	PSC150C13.2	50-150V	13.6V	11A	12TE	150W
PSC100A48	10-30V	48V	2.1A	10TE	100W	PSC100C15	50-150V	15V	6.7A	10TE	100W
PSC150A48	10-30V	48V	3.1A	12TE	150W	PSC150C15	50-150V	15V	10A	12TE	150W
PSC100B5	20-60V	5V	20A	10TE	100W	PSC100C24	50-150V	24V	4.2A	10TE	100W
PSC150B5	20-60V	5V	30A	12TE	150W	PSC150C24	50-150V	24V	6.3A	12TE	150W
PSC100B12	20-60V	12V	8.3A	10TE	100W	PSC100C48	50-150V	48V	2.1A	10TE	100W
PSC150B12	20-60V	12V	12.5A	12TE	150W	PSC150C48	50-150V	48V	3.1A	12TE	150W
PSC100B13.2	20-60V	13.6V	7.4A	10TE	100W	PSC100D5	90-270V	5V	20A	10TE	100W
PSC150B13.2	20-60V	13.6V	11A	12TE	150W	PSC150D5	90-270V	5V	30A	12TE	150W
PSC100B15	20-60V	15V	6.7A	10TE	100W	PSC100D12	90-270V	12V	8.3A	10TE	100W
PSC150B15	20-60V	15V	10A	12TE	150W	PSC150D12	90-270V	12V	12.5A	12TE	150W
PSC100B24	20-60V	24V	4.2A	10TE	100W	PSC100D13.2	90-270V	13.6V	7.4A	10TE	100W
PSC150B24	20-60V	24V	6.3A	12TE	150W	PSC150D13.2	90-270V	13.6V	11A	12TE	150W
PSC100B48	20-60V	48V	2.1A	10TE	100W	PSC100D15	90-270V	15V	6.7A	10TE	100W
PSC150B48	20-60V	48V	3.1A	12TE	150W	PSC150D15	90-270V	15V	10A	12TE	150W
PSC100CT5	40-100V	5V	20A	10TE	100W	PSC100D24	90-270V	24V	4.2A	10TE	100W
PSC150CT5	40-100V	5V	30A	12TE	150W	PSC150D24	90-270V	24V	6.3A	12TE	150W
PSC100CT12	40-100V	12V	8.3A	10TE	100W	PSC100D48	90-270V	48V	2.1A	10TE	100W
PSC150CT12	40-100V	12V	12.5A	12TE	150W	PSC150D48	90-270V	48V	3.1A	12TE	150W
PSC100CT13.2	40-100V	13.6V	7.4A	10TE	100W	PSC100E24	250-500V	24V	4.2A	10TE	100W
PSC150CT13.2	40-100V	13.6V	11A	12TE	150W	PSC150E24	250-500V	24V	6.3A	12TE	150W
PSC100CT15	40-100V	15V	6.7A	10TE	100W	PSC100E48	250-500V	48V	2.1A	10TE	100W
PSC150CT15	40-100V	15V	10A	12TE	150W	PSC150E48	250-500V	48V	3.1A	12TE	150W

Selection Table- Single Outputs

MODEL NUMBER	INPUT	OUTPUT	CASE	OUTPUT POWER	MODEL NUMBER	INPUT	OUTPUT	CASE	OUTPUT POWER		
PSC240 24/15	18-32V	15V	14A	12TE	210W	PSC240 110/48	88-150V	48V	5A	12TE	240W
PSC240 24/24	18-32V	24V	10A	12TE	240W	PSC240 110/110	88-150V	110V	2.18A	12TE	240W
PSC240 24/48	18-32V	48V	5A	12TE	240W	PSC240 220/15	175-300V	15V	14A	12TE	210W
PSC240 24/110	18-32V	110V	2.18A	12TE	240W	PSC240 220/24	175-300V	24V	10A	12TE	240W
PSC240 48/15	38-60V	15V	14A	12TE	210W	PSC240 220/48	175-300V	48V	5A	12TE	240W
PSC240 48/24	38-60V	24V	10A	12TE	240W	PSC240 220/110	175-300V	110V	2.18A	12TE	240W
PSC240 48/48	38-60V	48V	5A	12TE	240W	PSC240 440/24	350-550V	24V	10A	12TE	240W
PSC240 48/110	38-60V	110V	2.18A	12TE	240W	PSC240 440/48	350-550V	48V	5A	12TE	240W
PSC240 110/15	88-150V	15V	14A	12TE	210W	PSC240 440/110	350-550V	110V	2.18A	12TE	240W
PSC240 110/24	88-150V	24V	10A	12TE	240W						

PSC150 & 240 Series

100 - 240 WATTS DC/DC SINGLE & MULTI OUTPUT

Selection Table- Dual Outputs

MODEL NUMBER	INPUT	MASTER OUTPUT	AUX OUTPUT	CASE	OUTPUT POWER
PSC100A5S12	10-30V	5V 17A	12V 1.2A	10TE	100W
PSC150A5S12	10-30V	5V 25A	12V 1.2A	12TE	150W
PSC100A5S15	10-30V	5V 17A	15V 1.2A	10TE	100W
PSC150A5S15	10-30V	5V 25A	15V 1.2A	12TE	150W
PSC100A12S5	10-30V	12V 7.3A	5V 2.5A ²	10TE	100W
PSC150A12S5	10-30V	12V 11A	5V 2.5A ²	12TE	150W
PSC100A12S12	10-30V	12V 7A	12V 1.2A	10TE	100W
PSC150A12S12	10-30V	12V 11A	12V 1.2A	12TE	150W
PSC100A15S15	10-30V	15V 5.5A	12V 1.2A	10TE	100W
PSC150A15S15	10-30V	15V 9A	12V 1.2A	12TE	150W
PSC100A24S24	10-30V	24V 3A	24V 1.2A	10TE	100W
PSC150A24S24	10-30V	24V 5A	24V 1.2A	12TE	150W
PSC100B5S12	20-60V	5V 17A	12V 1.2A	10TE	100W
PSC150B5S12	20-60V	5V 25A	12V 1.2A	12TE	150W
PSC100B5S15	20-60V	5V 17A	15V 1.2A	10TE	100W
PSC150B5S15	20-60V	5V 25A	15V 1.2A	12TE	150W
PSC100B12S5	20-60V	12V 7.3A	5V 2.5A ²	10TE	100W
PSC150B12S5	20-60V	12V 11A	5V 2.5A ²	12TE	150W
PSC100B12S12	20-60V	12V 7A	12V 1.2A	10TE	100W
PSC150B12S12	20-60V	12V 11A	12V 1.2A	12TE	150W
PSC100B15S15	20-60V	15V 5.5A	12V 1.2A	10TE	100W
PSC150B15S15	20-60V	15V 9A	12V 1.2A	12TE	150W
PSC100B24S24	20-60V	24V 3A	24V 1.2A	10TE	100W
PSC150B24S24	20-60V	24V 5A	24V 1.2A	12TE	150W
PSC100CT5S12	40-100V	5V 17A	12V 1.2A	10TE	100W
PSC150CT5S12	40-100V	5V 25A	12V 1.2A	12TE	150W
PSC100CT5S15	40-100V	5V 17A	15V 1.2A	10TE	100W
PSC150CT5S15	40-100V	5V 25A	15V 1.2A	12TE	150W
PSC100CT12S5	40-100V	12V 7.3A	5V 2.5A ²	10TE	100W
PSC150CT12S5	40-100V	12V 11A	5V 2.5A ²	12TE	150W

Note: 2. Common zero on the output

The secondary output voltages are only factory adjustable.

Operating temperature range -25°C to +55°C. For 70°C derate PSC100 to 75W and PSC150 to 110W.

MODEL NUMBER	INPUT	MASTER OUTPUT	AUX OUTPUT	CASE	OUTPUT POWER
PSC100CT12S12	40-100V	12V 7A	12V 1.2A	10TE	100W
PSC150CT12S12	40-100V	12V 11A	12V 1.2A	12TE	150W
PSC100CT15S15	40-100V	15V 5.5A	12V 1.2A	10TE	100W
PSC150CT15S15	40-100V	15V 9A	12V 1.2A	12TE	150W
PSC100CT24S24	40-100V	24V 3A	24V 1.2A	10TE	100W
PSC150CT24S24	40-100V	24V 5A	24V 1.2A	12TE	150W
PSC100C5S12	50-150V	5V 17A	12V 1.2A	10TE	100W
PSC150C5S12	50-150V	5V 25A	12V 1.2A	12TE	150W
PSC100C5S15	50-150V	5V 17A	15V 1.2A	10TE	100W
PSC150C5S15	50-150V	5V 25A	15V 1.2A	12TE	150W
PSC100C12S5	50-150V	12V 7.3A	5V 2.5A ²	10TE	100W
PSC150C12S5	50-150V	12V 11A	5V 2.5A ²	12TE	150W
PSC100C12S12	50-150V	12V 7A	12V 1.2A	10TE	100W
PSC150C12S12	50-150V	12V 11A	12V 1.2A	12TE	150W
PSC100C15S15	50-150V	15V 5.5A	12V 1.2A	10TE	100W
PSC150C15S15	50-150V	15V 9A	12V 1.2A	12TE	150W
PSC100C24S24	50-150V	24V 3A	24V 1.2A	10TE	100W
PSC150C24S24	50-150V	24V 5A	24V 1.2A	12TE	150W
PSC100D5S12	90-270V	5V 17A	12V 1.2A	10TE	100W
PSC150D5S12	90-270V	5V 25A	12V 1.2A	12TE	150W
PSC100D5S15	90-270V	5V 17A	15V 1.2A	10TE	100W
PSC150D5S15	90-270V	5V 25A	15V 1.2A	12TE	150W
PSC100D12S5	90-270V	12V 7.3A	5V 2.5A ²	10TE	100W
PSC150D12S5	90-270V	12V 11A	5V 2.5A ²	12TE	150W
PSC100D12S12	90-270V	12V 7A	12V 1.2A	10TE	100W
PSC150D12S12	90-270V	12V 11A	12V 1.2A	12TE	150W
PSC100D15S15	90-270V	15V 5.5A	12V 1.2A	10TE	100W
PSC150D15S15	90-270V	15V 9A	12V 1.2A	12TE	150W
PSC100D24S24	90-270V	24V 3A	24V 1.2A	10TE	100W
PSC150D24S24	90-270V	24V 5A	24V 1.2A	12TE	150W

Selection Table- Triple Outputs with 24, 48 Volts Input

MODEL NUMBER	INPUT	MASTER OUTPUT	AUX OUTPUT	CASE	OUTPUT POWER
PSC100A5S12-12	10-30V	5V 11A	±12V 1.2A	10TE	100W
PSC150A5S12-12	10-30V	5V 20A	±12V 1.2A	12TE	150W
PSC100A5S15-15	10-30V	5V 10A	±15V 1.2A	10TE	100W
PSC150A5S15-15	10-30V	5V 20A	±15V 1.2A	12TE	150W

MODEL NUMBER	INPUT	MASTER OUTPUT	AUX OUTPUT	CASE	OUTPUT POWER
PSC100B5S12-12	20-60V	5V 11A	±12V 1.2A	10TE	100W
PSC150B5S12-12	20-60V	5V 20A	±12V 1.2A	12TE	150W
PSC100B5S15-15	20-60V	5V 10A	±15V 1.2A	10TE	100W
PSC150B5S15-15	20-60V	5V 20A	±15V 1.2A	12TE	150W

Selection Table- Triple Outputs with 110, 220 Volts Input

MODEL NUMBER	INPUT	MASTER OUTPUT	AUX OUTPUT	CASE	OUTPUT POWER
PSC100CT5S12-12	40-100V	5V 11A	±12V 2A	10TE	100W
PSC150CT5S12-12	40-100V	5V 20A	±12V 2A	12TE	150W
PSC100CT5S15-15	40-100V	5V 10A	±15V 2A	10TE	100W
PSC150CT5S15-15	40-100V	5V 20A	±15V 2A	12TE	150W
PSC100C5S12-12	50-150V	5V 11A	±12V 2A	10TE	100W
PSC150C5S12-12	50-150V	5V 20A	±12V 2A	12TE	150W

MODEL NUMBER	INPUT	MASTER OUTPUT	AUX OUTPUT	CASE	OUTPUT POWER
PSC100C5S15-15	50-150V	5V 11A	±15V 2A	10TE	100W
PSC150C5S15-15	50-150V	5V 20A	±15V 2A	12TE	150W
PSC100D5S12-12	90-270V	5V 10A	±12V 2A	10TE	100W
PSC150D5S12-12	90-270V	5V 20A	±12V 2A	12TE	150W
PSC100D5S15-15	90-270V	5V 11A	±15V 2A	10TE	100W
PSC150D5S15-15	90-270V	5V 20A	±15V 2A	12TE	150W

Note: Operating temperature range -25°C to +55°C. For 70°C derate PSC100 to 75W and PSC150 to 110W.

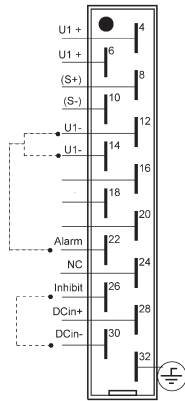
The two secondary output uses common zero for ±12 or ±15V application or to supply 24V and 30V

The secondary voltages are only factory adjustable.

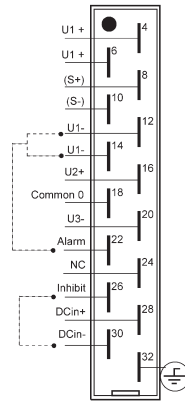
PSC150 & 240 Series

100-240 WATTS DC/DC SINGLE & MULTI OUTPUT

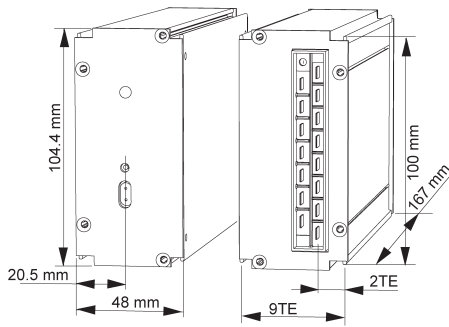
Technical Illustrations PSC 100-150W



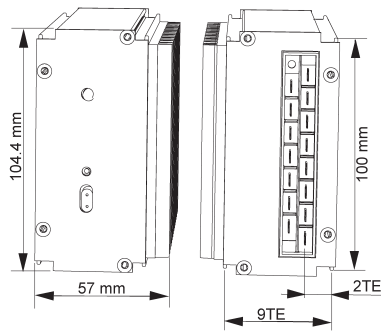
Pin-out, Single output



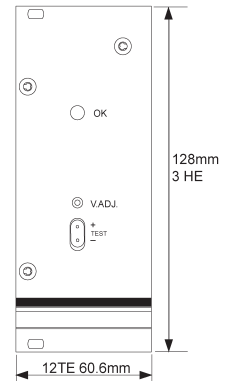
Pin-out, 2 & 3 output



Front & connector side of PSC100

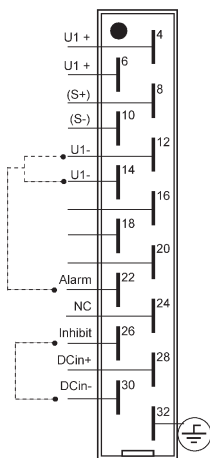


Front & connector side of PSC150

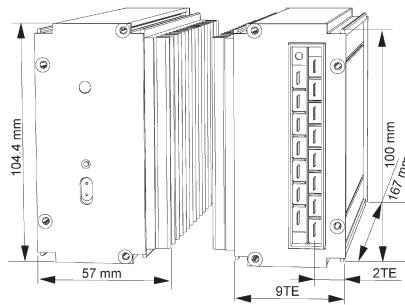


Front Panel 3HE option L

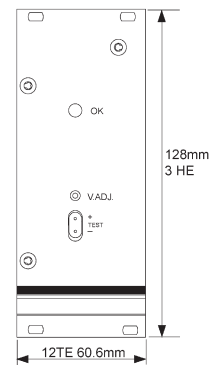
PSC 240



Pin-out



Front & connector side of PSC240



12TE Front panel 3HE option L