

DESCRIPTION

PT2308 is a Class AB stereo headphone driver chip utilizing CMOS Technology specially designed for portable digital audio applications. It is housed in an 8-pin DIP or SOP package and is functionally compatible with TDA1308. Pin assignments and application circuit are optimized for lower cost effectiveness and easy PCB Layout.

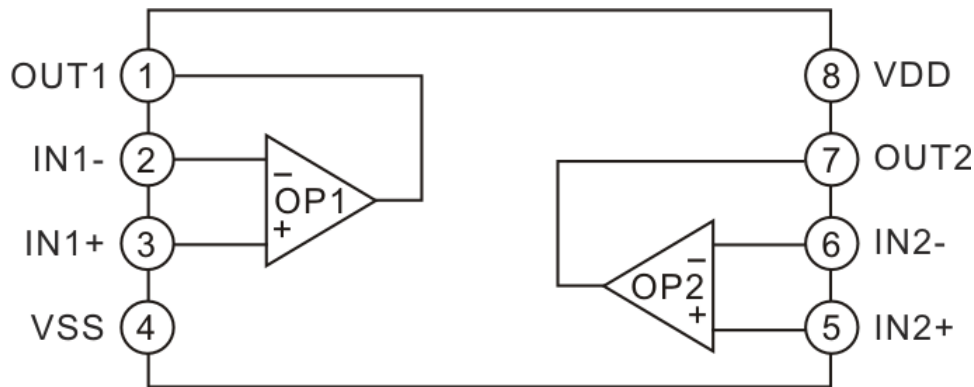
FEATURES

- CMOS technology
- Low power consumption
- Wide temperature range
- Excellent power supply ripple rejection
- High signal-to-noise ratio, S/N=110dB
- Low harmonic distortion, THD=0.001%
- Large output voltage swing

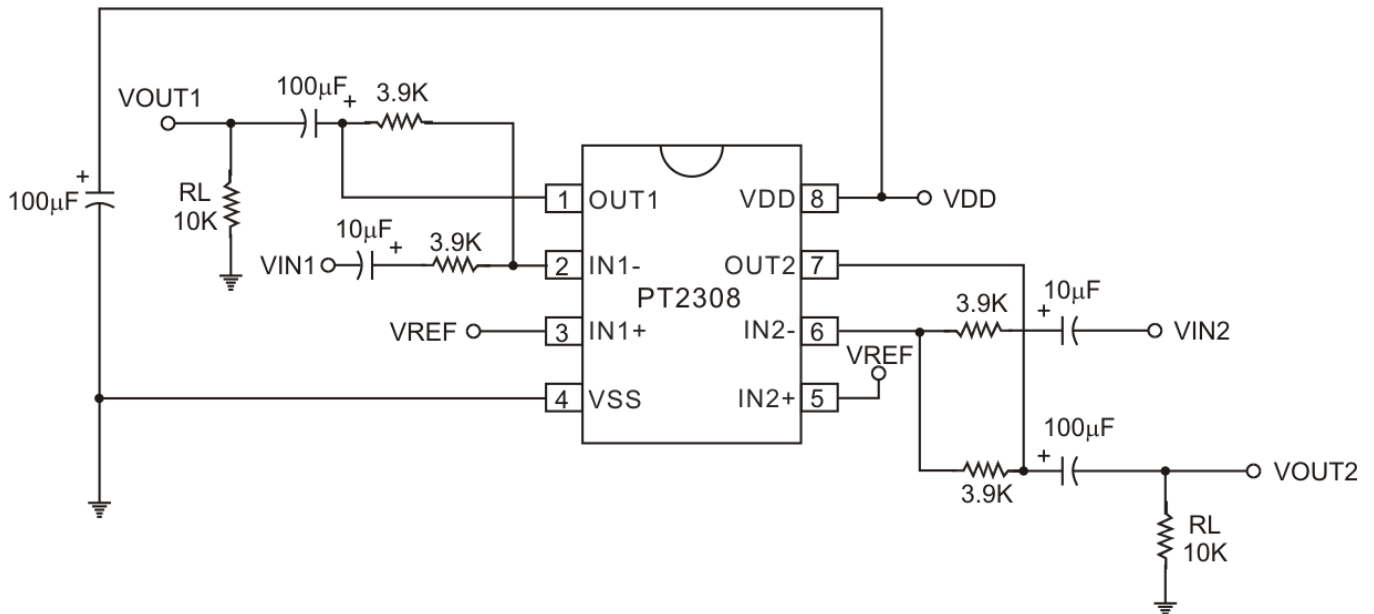
APPLICATIONS

- Portable digital audio
- Hi-fi audio system
- Walkman
- CD-ROM

BLOCK DIAGRAM



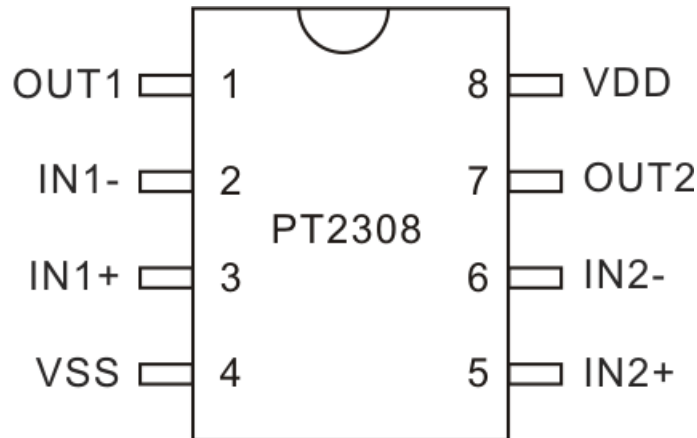
APPLICATION CIRCUIT



ORDER INFORMATION

Valid Part Number	Package Type	Top Code
PT2308	8 Pins, DIP, 300mil	PT2308
PT2308-S	8 Pins, SOP, 150mil	PT2308-S

PIN CONFIGURATION



PIN DESCRIPTION

Symbol	I/O	Description	Pin No.
OUT1	O	Output pin 1	1
IN1-	I	Inverting input pin 1	2
IN1+	I	Non-inverting input pin 1	3
VSS	-	Negative power supply	4
IN2+	I	Non-inverting input pin 2	5
IN2-	I	Inverting input pin 2	6
OUT2	O	Output pin 2	7
VDD	-	Positive power supply	8

ABSOLUTE MAXIMUM RATINGS

Parameter	Symbol	Ratings	Unit
Supply voltage	VDD	8	V
Operating temperature	Topr	-40~+85	°C
Storage temperature	Tstg	-65~+150	°C

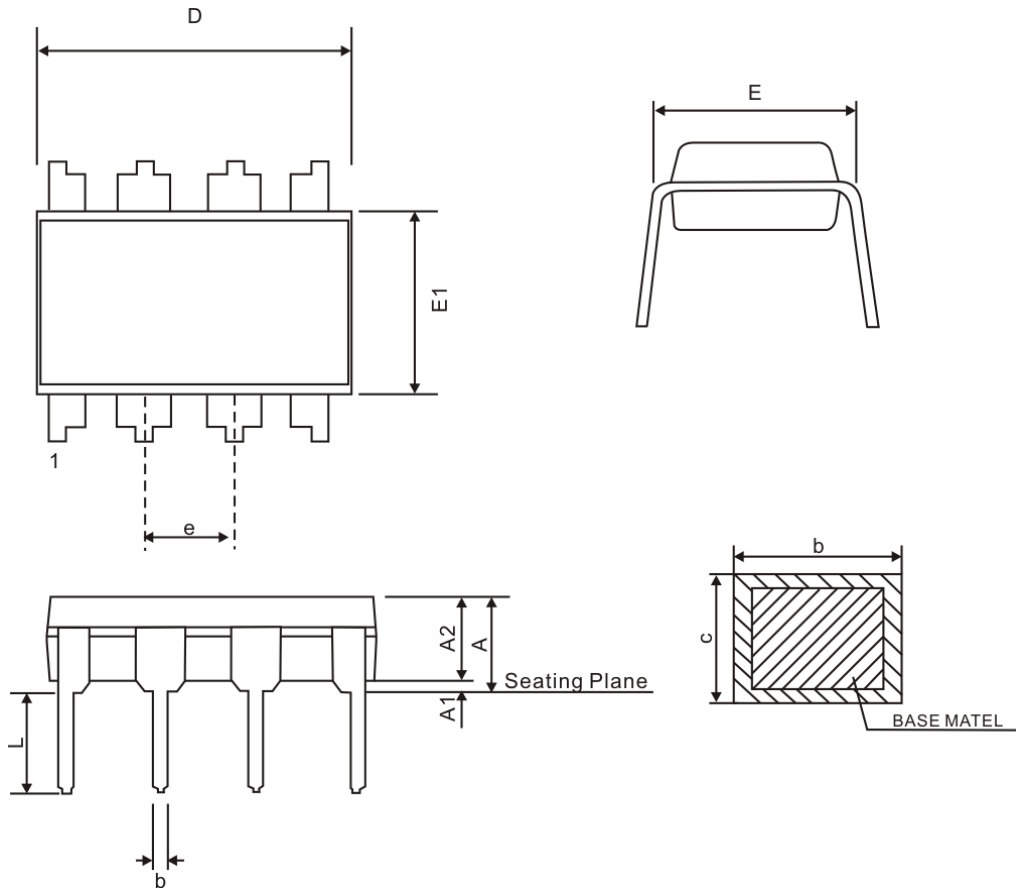
ELECTRICAL CHARACTERISTICS

(Unless otherwise stated, VDD=5V, VSS=0V, Ta=25°C, fin=1KHz, RL=32Ω)

Parameter	Symbol	Conditions	Min.	Typ.	Max.	Unit
Signal supply voltage	VDD	-	3.0	5.0	7.0	V
Dual supply voltage			1.5	2.5	3.5	
Negative power voltage	VSS	-	-1.5	-2.5	-3.5	V
Supply current	IDD	No Load	-	7.0	-	mA
Total power dissipation	Ptot	No Load	-	35	-	mW
Maximum output power	Po	-	-	60	-	mW
Total harmonic distortion	THD	Vo(p-p)=3.5V	-	0.03	0.06	%
		Vo(p-p)=3.5V RL=5KΩ	-	0.001	-	
Signal-to-noise ratio	S/N	-	100	110	-	dB
Channel separation	α_{cs}	-	-	70	-	dB
		RL=5KΩ	-	105	-	
Power supply ripple rejection	PSRR	fin=100Hz; Vripple(p-p)=100mV	-	90	-	dB
Maximum input voltage	VImax	THD<0.1%	-	1.4	-	V
Output resistance	ROUT	-	-	2	-	Ω

PACKAGE INFORMATION

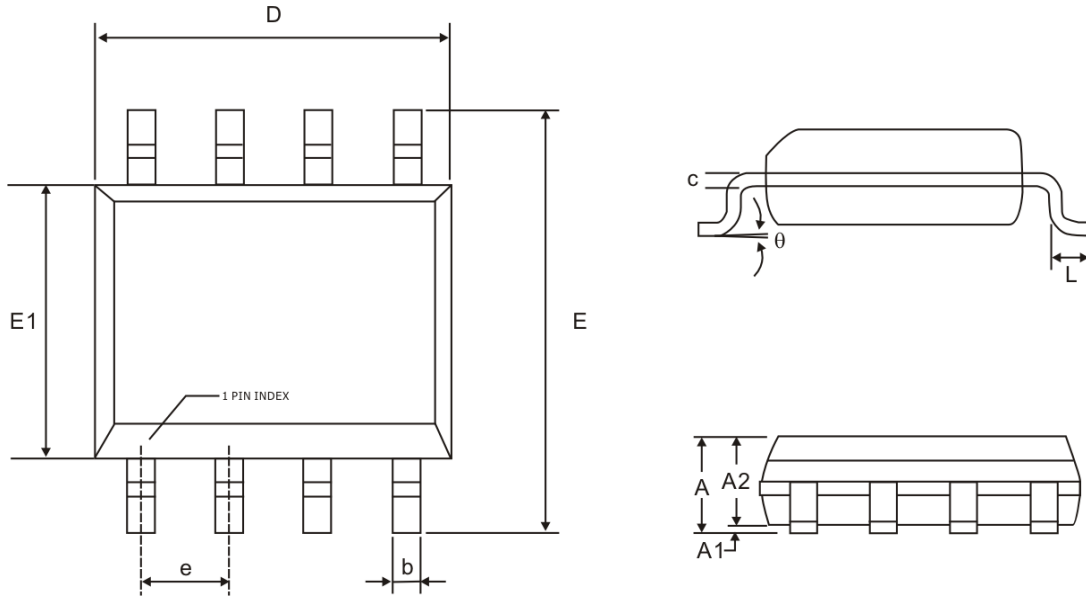
8 PINS, DIP, 300MIL



Symbol	Millimeter		
	Min.	Nom.	Max.
A	-	-	4.80
A1	0.50	-	-
A2	3.10	3.30	3.50
b	0.38	-	0.55
c	0.21	-	0.35
D	9.10	9.20	9.30
E	7.62	7.87	8.25
E1	6.25	6.35	6.45
e	2.54BSC		
L	2.92	3.30	3.81

- Notes:
1. Refer to JEDEC MS-001, Variation BA
 2. All dimensions are in millimeter

8 PINS, SOP, 150MIL



Symbol	Millimeter		
	Min.	Nom.	Max.
A	1.35	-	1.75
A1	0.10	-	0.25
A2	1.25	-	1.65
b	0.31	-	0.51
c	0.17	-	0.25
D	4.80	-	5.00
E	5.80	-	6.20
E1	3.80	-	4.00
e	1.27BSC		
L	0.40	-	1.27
θ	0°	-	8°

- Notes:
1. Refer to JEDEC MS-012AA
 2. All dimensions are in millimeter

IMPORTANT NOTICE

Princeton Technology Corporation (PTC) reserves the right to make corrections, modifications, enhancements, improvements, and other changes to its products and to discontinue any product without notice at any time.

PTC cannot assume responsibility for use of any circuitry other than circuitry entirely embodied in a PTC product. No circuit patent licenses are implied.

Princeton Technology Corp.
2F, 233-1, Baociao Road,
Sindian, Taipei 23145, Taiwan
Tel: 886-2-66296288
Fax: 886-2-29174598
<http://www.princeton.com.tw>