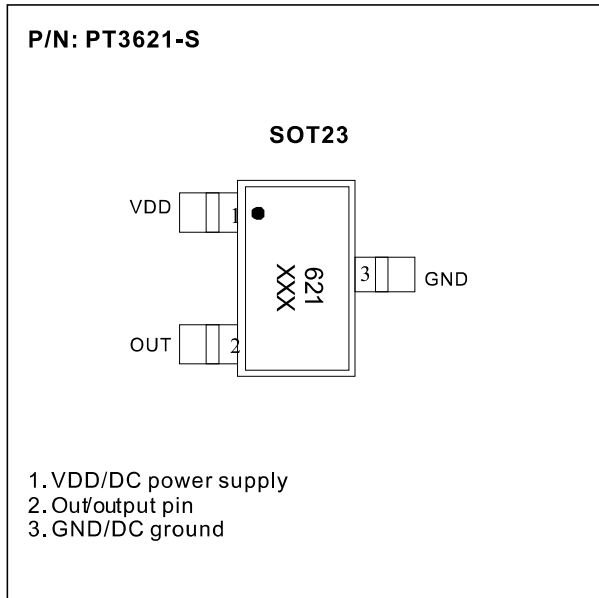


PT3621

Medium Sensitivity Unipolar type Hall Sensor



Package: SOT-23



Key Features

- 2.5V~18V operation
- Medium sensitivity ; +150G
- Built-in dynamic offset cancellation
- High balance and low thermal drift magnetic sensing
- ESD protection to 8KV
- Open drain output

Applications

- Car window wiper
- Lifting window
- vane sensor
- Proximity sensor
- Speed measurement
- Automotive application
- On/Off detection

The PT3621 is designed for magnetic actuating using a unipolar magnetic field. The built-in dynamic offset cancellation of pre-amplifier stage achieves optimal symmetrical magnetic sensing. This Hall effect IC is designed for on/off detection, especially for automotive/industrial application. PT3621 provides precious actuation to ensure safety. The supply voltage range is from 2.5V to 18V and maximum output current is 25mA.

Specifications

Absolute Maximum Ratings (Ta=25°C)

Parameter	Symbol	Conditions	Rating	Units
Maximum supply voltage	V_{DDmax}		18	V
Allowable power dissipation	P_d	SOT23	300	mW
Operating temperature	T_a		-40~+125	°C
Storage temperature	T_s		-50~+150	°C
Max. output current	I_{OMAX}		25	mA

*: On 50mm x 50mm x 1.6mm glass epoxy board