



## DESCRIPTION

PT6533 is a general purpose LCD Driver IC utilizing CMOS technology specially designed with character and graphical displays. It provides 1/4 duty, 1/8 duty and can drive up to a maximum of 232 segments drivers. Housed in a 44-pin LQFP package, PT6533 can directly display the display data without any decoder intervention, thereby providing a high level of generality. Built-in display contrast adjustment circuit, independent LCD drive block power supply and serial data control of the power saving mode based on the backup function as well as all segments forced OFF functions are incorporated into a single chip having the highest performance and reliability. Pin assignments and application circuits are optimized for easy PCB layout and cost saving benefits.

## FEATURES

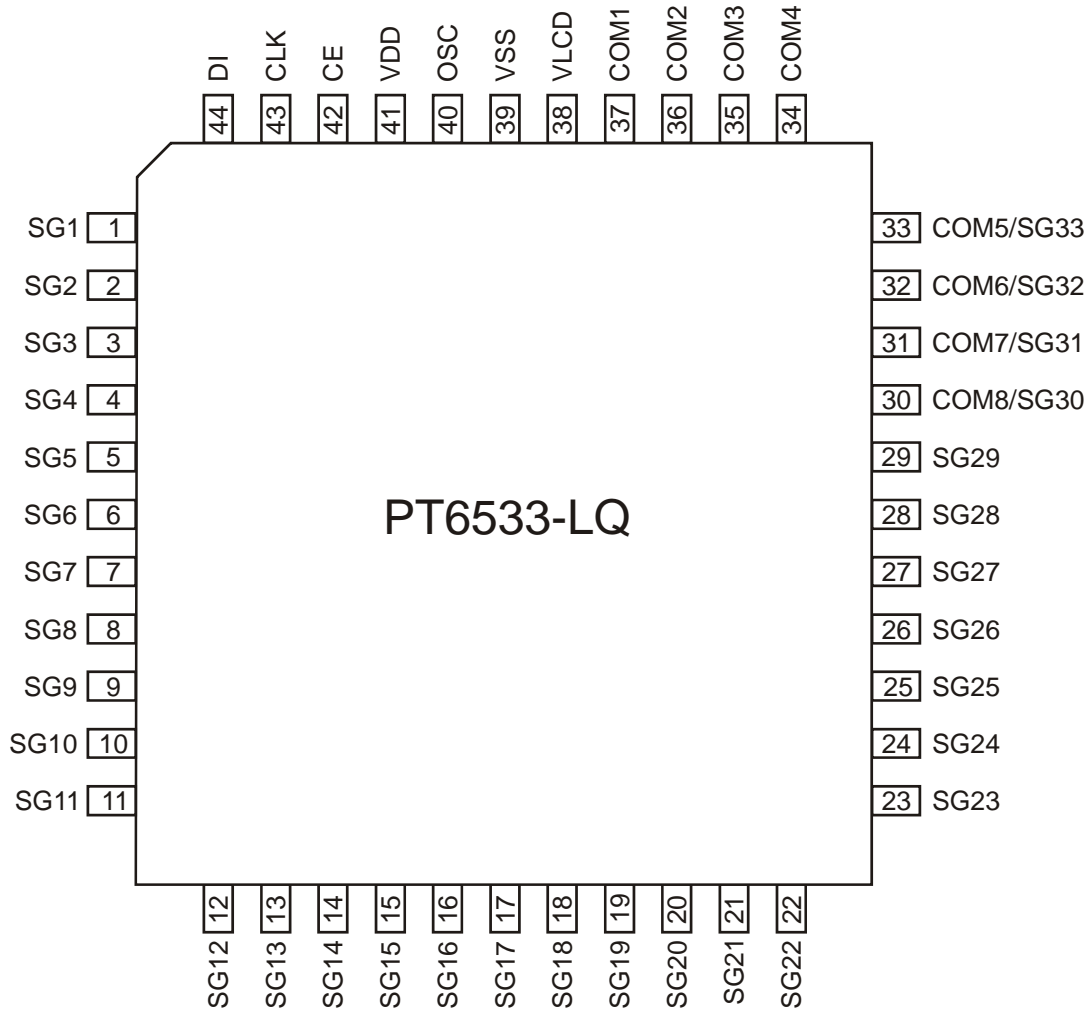
- CMOS technology
- Wide variety of bias drive techniques:
  - 1/8 duty, 1/4 bias drive technique: (232 segments max.)
  - 1/4 duty, 1/4 bias drive technique: (132 segments max.)
- RC oscillation circuit
- Direct display of display data without any decoder intervention
- Serial data control of the power saving mode based backup function
- Available in C.O.B. or 44-pin LQFP packages

## APPLICATIONS

- Car Audio display
- Consumer display
- Household electronic application

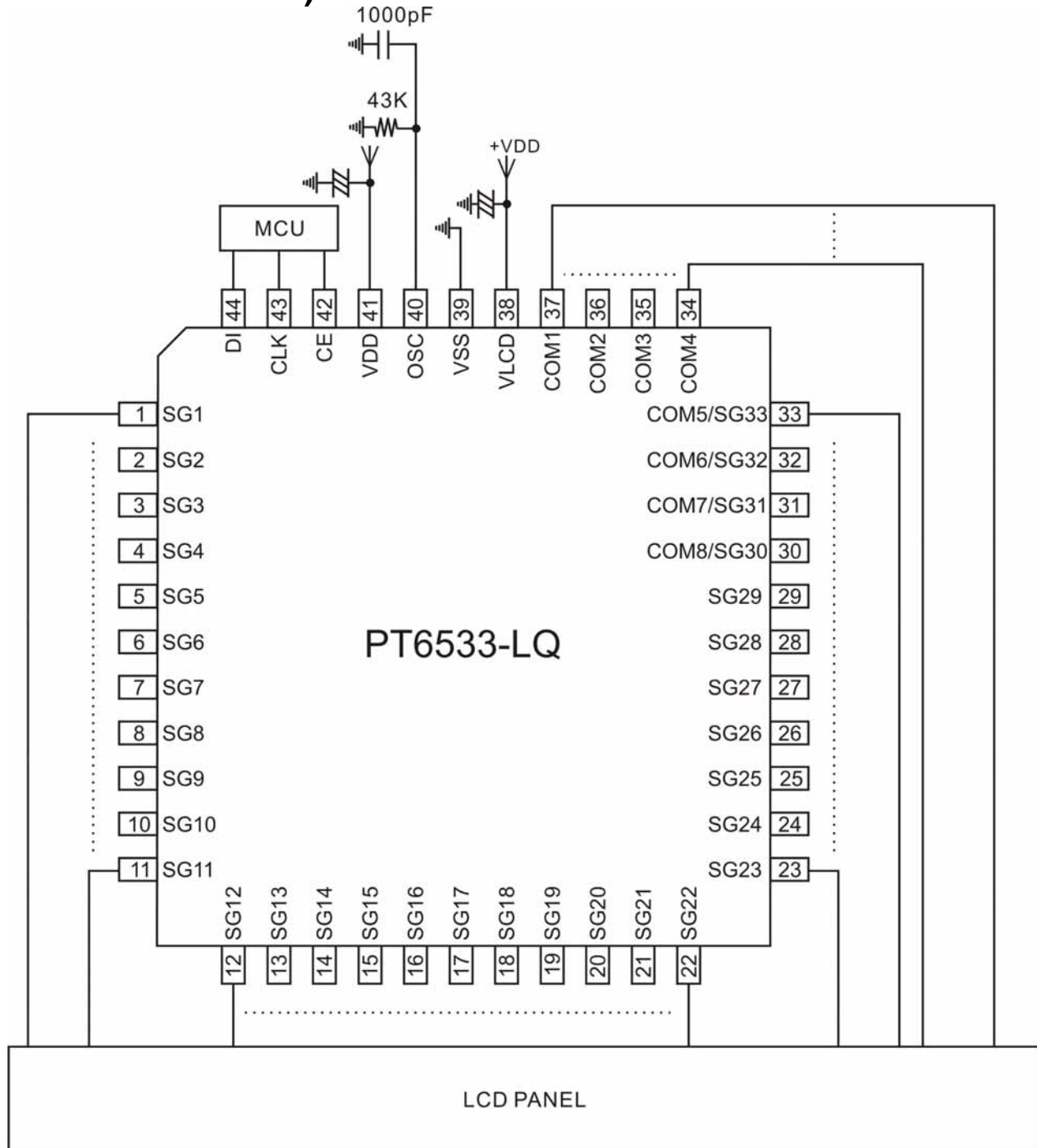


## PIN CONFIGURATION





**APPLICATION CIRCUIT**  
**1/8 DUTY, 1/4 BIAS DRIVE TECHNIQUE**  
**(for Normal Panel Use)**





## ORDER INFORMATION

Valid Part Number	Package Type	Top Code
PT6533-LQ	44 Pins, LQFP	PT6533-LQ
PT6533-H	C.O.B.	-