

## Features

- Dual and single through-hole models available
- Low height of only 6.3 mm
- Matched to leading transceiver ICs
- Lead free version available (see How to Order)

■ Lead free versions are RoHS compliant\*

## Applications

- Telecom

# PT66003 - T1/CEPT Transformer

### Electrical Specifications @ 25 °C

Turns Ratio $\pm 5\%$ (I + II : III) .....	1 CS*:1
OCL (mH min.) .....	1.2
Interwinding Capacitance	
C <sub>ww</sub> (pF max.) .....	25
Leakage Inductance L <sub>s</sub> ( $\mu$ H max.) .....	0.5
HIPOP 50 Hz for 2 sec. (V <sub>rms</sub> )	
I + II to III .....	1500
DCR I + II ( $\Omega$ max.) .....	0.7
DCR III ( $\Omega$ max.) .....	0.7
Operating Temperature (°C) .....	0 to +70

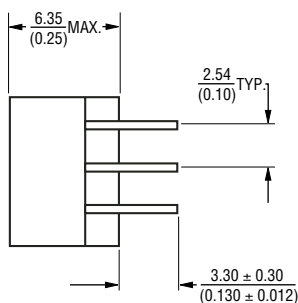
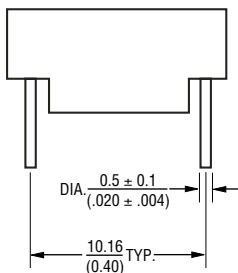
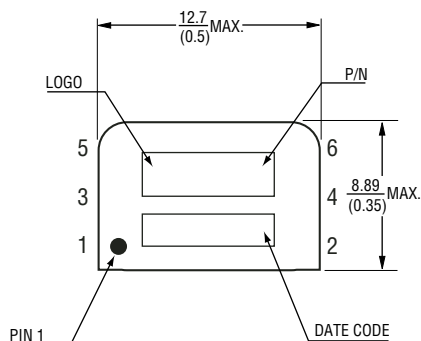
\*CS : split center tap

Other OCL specifications available on request.

### Packaging Specifications

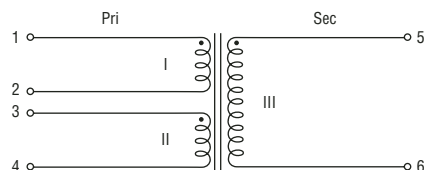
Tube .....	56 pcs./tube
------------	--------------

### Product Dimensions



DIMENSIONS ARE:  $\frac{\text{MM}}{\text{(INCHES)}}$

### Electrical Schematic



### How to Order

Model PT66003

Termination \_\_\_\_\_  
 Blank = Tin-lead  
 L = Tin only (lead free)