

## Features

- Dual and single through-hole models available
- Low height of only 6.3 mm
- Matched to leading transceiver ICs
- Lead free version available (see How to Order)

- Lead free versions are RoHS compliant\*

## Applications

- Telecom

# PT66005 - T1/CEPT/ISDN PRI Transformer

### Electrical Specifications @ 25 °C

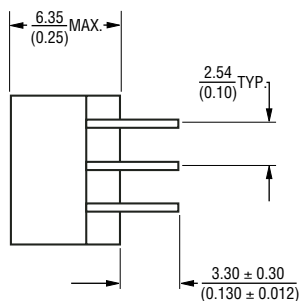
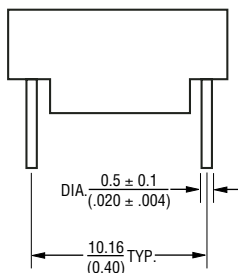
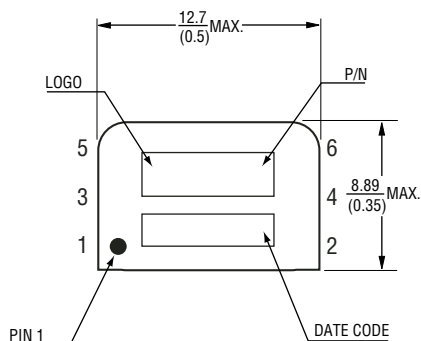
Turns Ratio $\pm 5\%$ (I : II) .....	1:1
OCL (mH min.) .....	1.2
Interwinding Capacitance	
C <sub>ww</sub> (pF max.) .....	25
Leakage Inductance L <sub>s</sub> ( $\mu$ H max.) .....	0.5
HIPOT 50 Hz for 2 sec. (I : II) .....	1500
DCR ( $\Omega$ max.) .....	0.7
Operating Temperature (°C) .....	0 to +70

Other OCL specifications available on request.

### Packaging Specifications

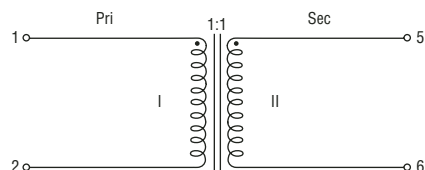
Tube .....	56 pcs./tube
------------	--------------

### Product Dimensions



DIMENSIONS ARE:  $\frac{\text{MM}}{\text{(INCHES)}}$

### Electrical Schematic



### How to Order

**PT66005**

Model \_\_\_\_\_

Termination \_\_\_\_\_

Blank = Tin-lead

L = Tin only (lead free)