

Monolithic discriminator dual QD21.4-4000/01

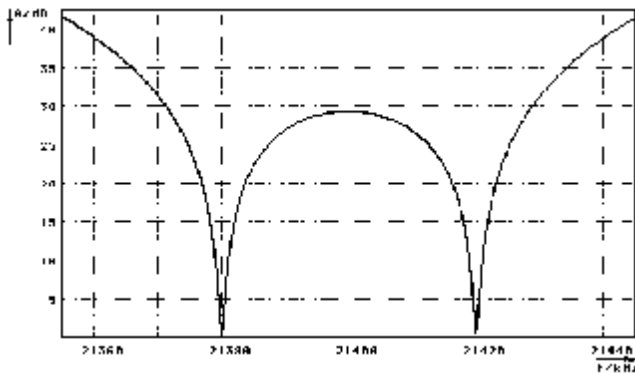


Application

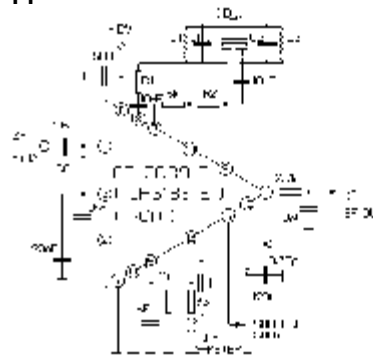
- 2 pol resonator
- discriminator
- use in mobile and stationary transceivers

Limiting values		Unit	Value
Center frequency	f_0	MHz	21.4
Peak separation		kHz	± 20
Sym. resonance frequency	f_s at 25°C	MHz	21.38 ± 600 Hz
Asym. resonance frequency	f_a at 25°C	MHz	21.42 ± 1200 Hz
Change of sy. resonance frequency	-40...+80°C	ppm	< 30
Dynamical capacity C1		fF	~ 3.9
Terminating impedance Z	Test circuit		
R1 C1		Ohm/pF	12.5
R2 C2		Ohm/pF	12.5
Operating temp. range		°C	-40...+80

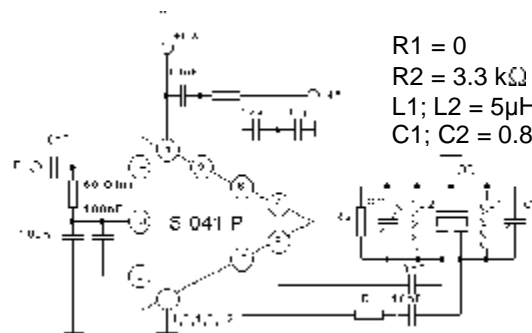
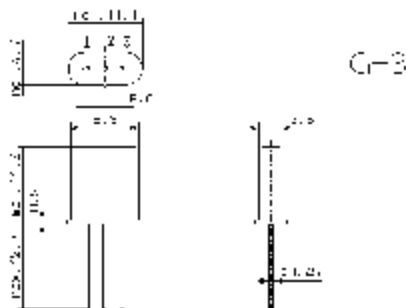
Characteristics QD10.7-2800/01



Application circuits



R1 = 2.4 kΩ
R2 = 2.4 kΩ
L1; L2 = 5μH
C1; C2 = 0.8...10 pF



R1 = 0
R2 = 3.3 kΩ
L1; L2 = 5μH
C1; C2 = 0.8...10 pF