



1000 Base-T DUAL port through hole Magnetics

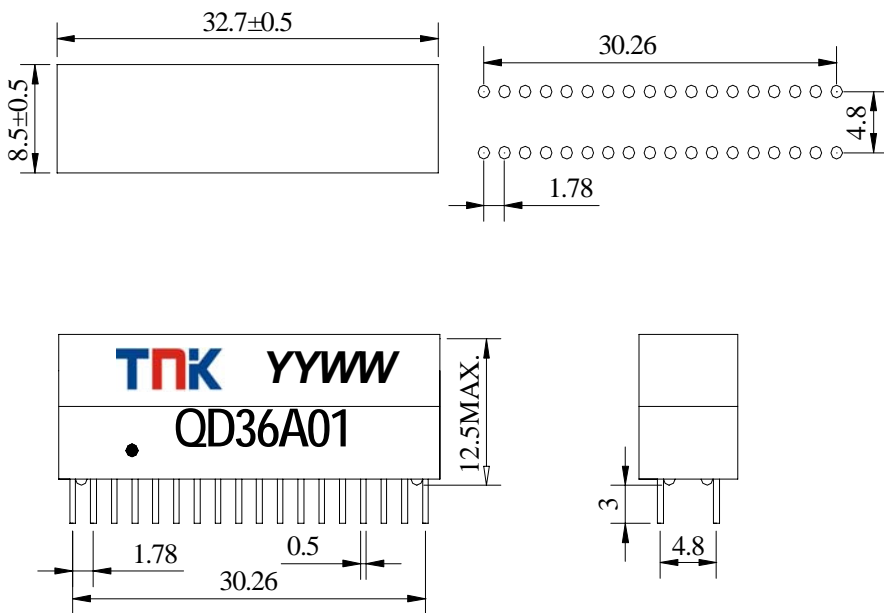


- ✚ Designed to meet IEEE802.3ab requirement
- ✚ Primary inductance 350uH min with 8mA DC Bias
- ✚ RoHS Compliant.
- ✚ Operating temperature range:0°C to +70°C
- ✚ Storage temperature range:-25°C to +125°C

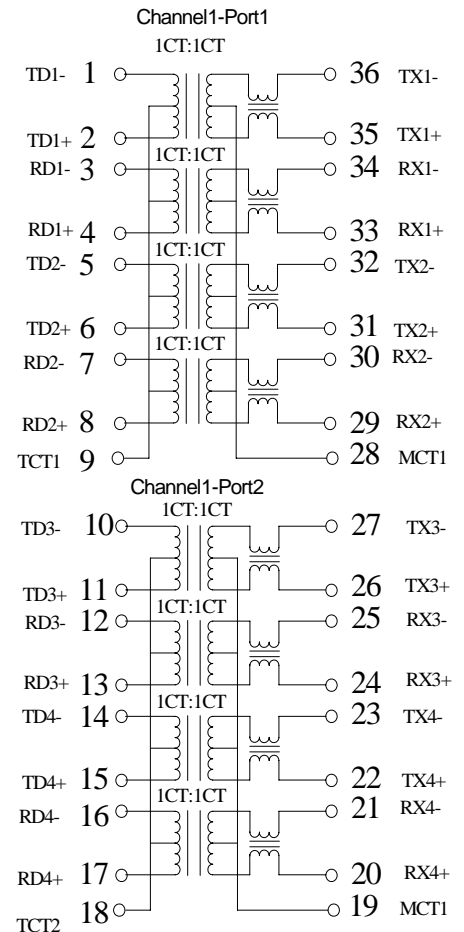
Electrical Specifications @ 25°C

Part Number	Turn Ratio		Insertion Loss 0.5~100MHz (dB Max)	Return Loss (dB Min)					Cross Talk (dB Min)		CMRR (dB Min)	CWW (PF Max)	Hi-Pot (Vrms)
	Tx	Rx		0.5-30 MHz	40 MHz	50 MHz	60-80 MHz	100 MHz	0.5-60 MHz	60.1-100 MHz			
QD36A01	1:1	1:1	-1.1	-18	-14.4	-13.1	-12	-10	-40	-35	-30	112	1500

Mechanical



Schematic



NOTE:

- 1、Dimensions:mm;
- 2、 Unless otherwise specified,tolerances:±0.25(mm);

东莞市讯康电子科技股份有限公司
 地址：广东省东莞市塘厦镇林村里牙塘工业区 145 号
 TEL:(86)769-87923451 FAX:(86)769-87923450
 WEBSITE:<http://www.tnk.net.cn>