

R-2202X, R-2810X LIGHT BAR

Shape	Part No.	Chip		Wave Length λ p(nm)	Electro-Optical Characteristics			Fig. No.
		Raw Material	Emitted Color		Vf(V)20mA		Iv(ucd)10mA	
					Typ.	Max.	Typ.	
	R-2202E-5V	GaAsP/GaP	Hi.effi Red	635	4.0	5.6	20.0	D78
	R-2202G-5V	GaP	Green	565	4.2	5.6	18.0	
	R-2202EG-5V	GaAsP/GaP	Hi.effi Red	635	4.0	5.6	20.0	
		GaP	Green	565	4.2	5.6	18.0	
	R-2810E	GaAsP/GaP	Hi.effi Red	635	2.0	2.8	28.0	D79
	R-2810G	GaP	Green	565	2.1	2.8	25.0	
	R-2810Y	GaAsP/GaP	Yellow	585	2.1	2.8	25.0	
	R-2810SR	GaAlAs	Super Red	660	1.8	2.4	60.0	

Fig.D78

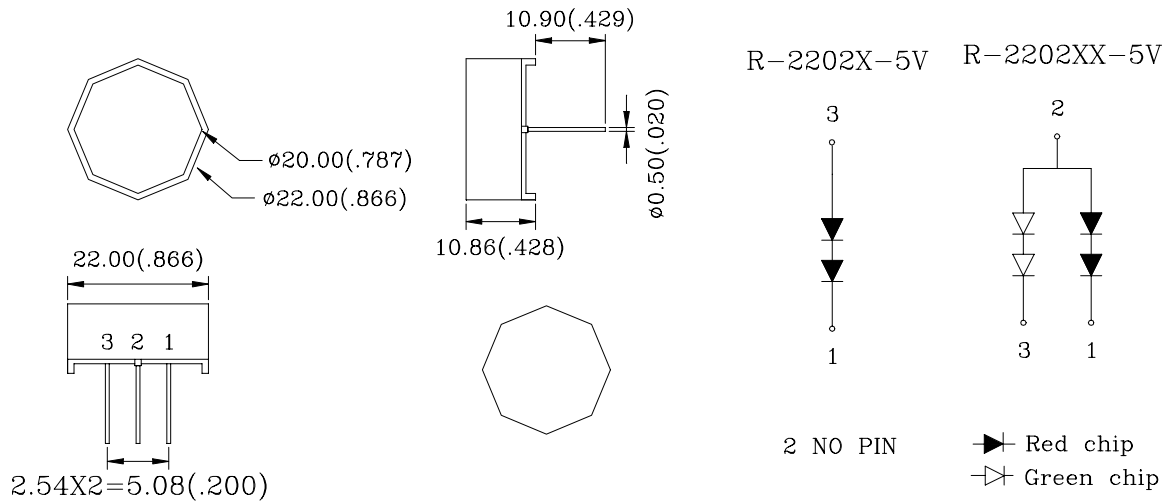
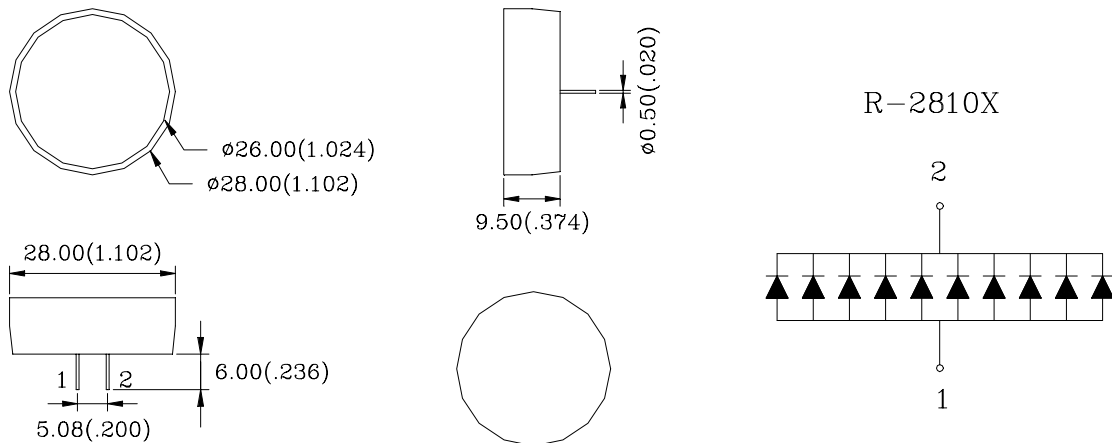


Fig.D79



1.All dimension are in millimeters (inches).
2.Tolerance is ± 0.25 mm (0.01") unless otherwise specified.