

RC9129 Series

Ferrite core with metal fitting for installation



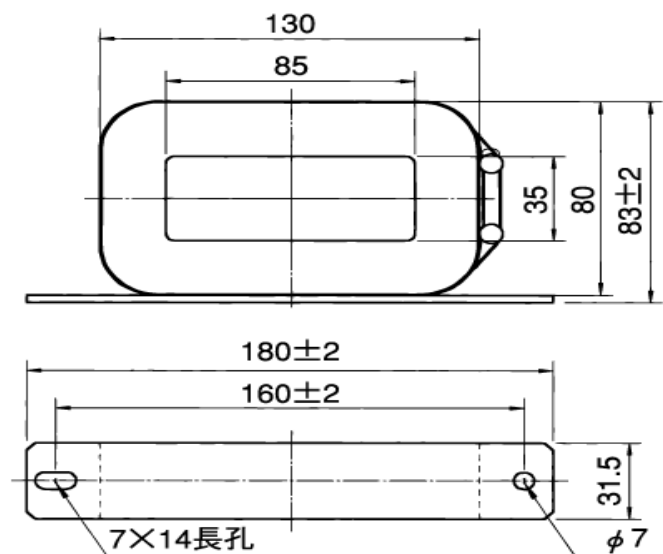
Application

Signal line/swiching power supply/inverter etc.

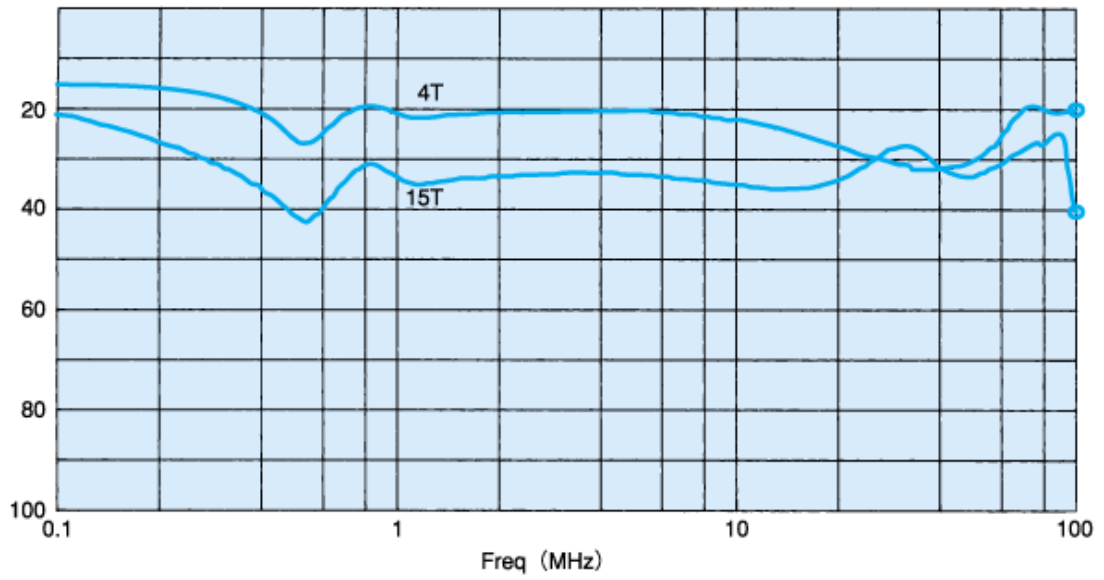
Specifications

| | |
|---|-------------|
| Measurement temperature 23+/-2Deg.C | |
| Type | 100KHz (uH) |
| RC9129 | 3.70-6.50 |
| Note: Measured by YHP manufactured multi-frequency LCR meter 4284A or equivalent. | |
| Condition for the measurement f=100KHz, 500KHz 1T 10mA through. | |

Fig



Frequency Data



Sale: Shenzhen Great Deal Electronics Ltd.

Tel:0755-83873323 83873283 Fax:0755-83873323-888

E-mail:gde81@163.com www.gde88.com