



- Universal AC input
- Protections: Short circuit/Over load/Over voltage
- Cooling by free air convection
- LED indicator for power on
- All using 105°C long life electrolytic capacitors
- High efficiency, long life and high reliability



Model Number	Output Volts	Output Amps	Ripple & Noise	Min Load	Line Reg	Load Reg	Volt Tolerance
<b>DUAL OUTPUT</b>							
RD50-A	5 Volts(DC)	6 Amps	80mV pk-pk	0.3~6Amps	±0.5%	±0.5%	±2.0%
	12 Volts(DC)	2 Amps	120mV pk-pk	0.3~3Amps	±1.5%	±3.0%	±7.0%
RD50-B	5 Volts(DC)	4 Amps	80mV pk-pk	0.3~6Amps	±0.5%	±0.5%	±2.0%
	24 Volts(DC)	1.4 Amps	150mV pk-pk	0.2~2.0Amps	±1.5%	±3.0%	-4,+8%

## 50W Dual Output Switching Power Supply

## RD50 series

### INPUT SPECIFICATIONS

Input Voltage Range	90 ~ 264 VAC; 125~373 Volts(DC)
Frequency Range	47-63 Hz
Inrush Current, typ: (cold start)	33Amps / 230VAC
Input Current	1.3 Amps. @ 115VAC 0.8 Amps. @ 230VAC
Leakage current	< 2mAmps /240VAC

### OUTPUT SPECIFICATIONS

Voltage and Current	See Selection Chart
Line Regulation (Note 3)	See Selection Chart
Load Regulation (Note 4)	See Selection Chart
Voltage Tolerance (Note 2)	See Selection Chart
Ripple/Noise (Note 1)	See Selection Chart
Hold Up Time @ FL	60mS / 230VAC 14mS / 115VAC
Setup, Rise Time @ FL	500ms, 20m / 230VAC 1200mS, 30mS / 115VAC
Over Voltage Protection	5Volts : 5.75 ~ 6.75Volts(DC) Hiccup mode, auto recover
Over Current Protection	110 ~ 150% rated output power Hiccup mode, auto recover
DC Volt Adjust	5Volts(DC): 4.75 ~ 5.5Volts(DC)

### GENERAL SPECIFICATIONS

Safety	UL60950-1, TUV EN60950-1 Approved
Insulation Resistance	≥ 100MΩ / 500Volts(DC)
EMI	Compliance to EN55022 (CISPR22) Class B
Harmonic Current	Compliance to EN61000-3-2,-3
Efficiency (typ.)	79%(RD50-A) / 80%(RD50-B)

### Isolation

	3000VAC Input - Output
	1500VAC Input - Ground
	500VAC Output - Ground
EMS	Compliance to EN61000-4-2, 3, 4, 5, 6, 8, 11; ENV50204, EN61000-6-2 (EN50082-2) Heavy Industry Level, Criteria A

### ENVIRONMENTAL SPECIFICATIONS

Oper. Temperature	-25°C to +70°C (See Derate Curve)
Storage Temperature	-40°C to +85°C, 10~95%
Relative Humidity	20~90% RH non cond
Temperature Coefficient	±0.03%/°C (0-50°C) on +5V output
MTBF	172.6KHrs min, MIL-UDBK-217F(25°C)
Vibration	10~500Hz, 5G10min./1cycle, period for 60min. each along X, Y, Z axes

### PHYSICAL SPECIFICATIONS

Size		
	Millimeters	99 x 97 x 36
	Inches	3.90" x 3.82" x 1.42"
Weight		14.46 oz (410g)

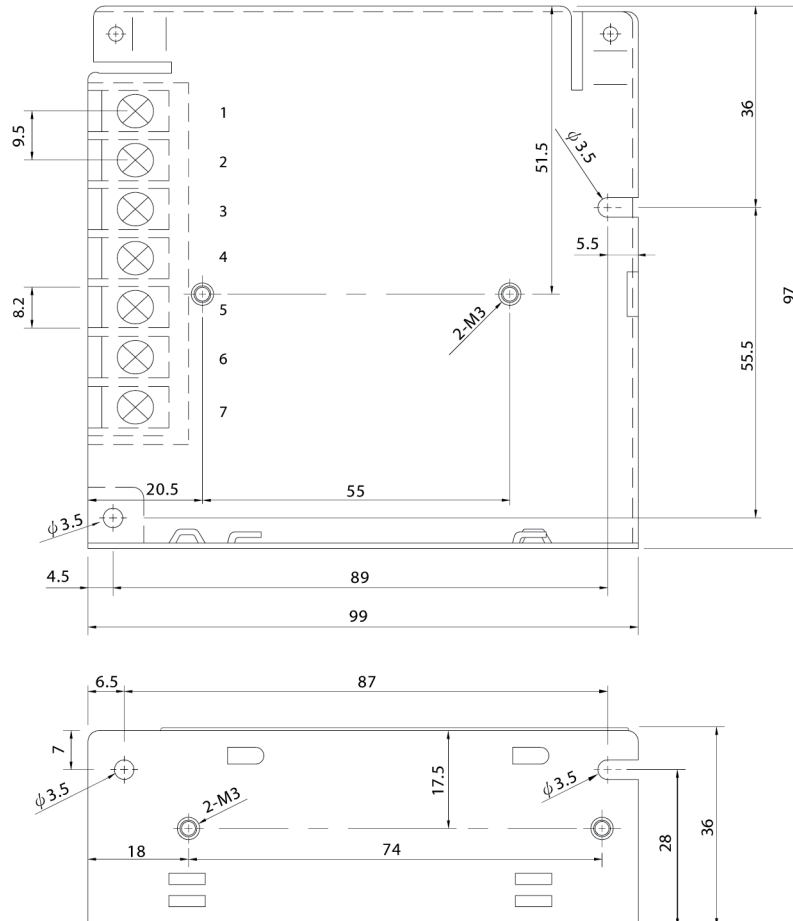
### NOTE

1. Ripple & noise are measured at 20MHz of bandwidth by using a 12" twisted pair-wire terminated with a 0.1uf & 47uf parallel capacitor.
2. Tolerance : includes set up tolerance, line regulation and load regulation.
3. Line regulation is measured from low line to high line at rated load.
4. Load regulation is measured from 20% to 100% rated load, and other

All specifications are typical at nominal input, full load, and 25°C unless otherwise noted

■ Mechanical Specification

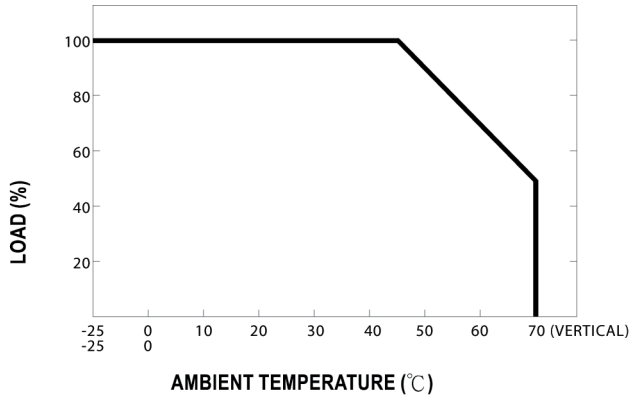
Case No. 905B Unit:mm



Terminal Pin. No Assignment

Pin No.	Assignment	Pin No.	Assignment
1	AC/L	4,6	DC OUTPUT COM
2	AC/N	5	DC OUTPUT +V2
3	FG $\perp$	7	DC OUTPUT +V1

■ Derating Curve



■ Output Derating VS Input Voltage

