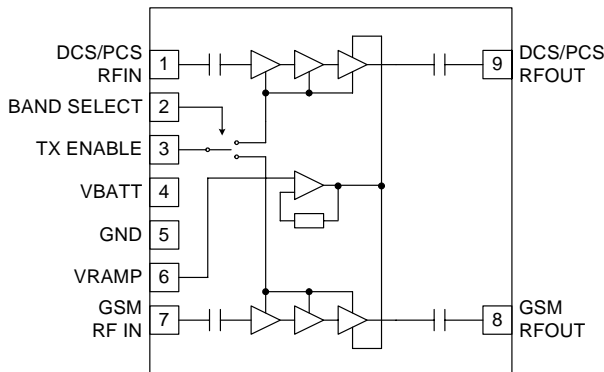


Features

- Ultra-Small, Ultra-Thin
6mmx6mmx1mm Package Size
- Integrated V_{REG}
- Complete Power Control Solution
- Large Signal Polar Modulation EDGE Compatible
- No External Components or Routing
- Improved Power Flatness through Integrated Current Limiter. 2.5A Maximum Current Draw over VSWR, all Phase Angles.

Applications

- 3V Quad-Band GSM and EDGE Handsets
- EDGE Capable Large Signal Polar Modulation Handsets
- Portable Battery-Powered Equipment
- GSM850/EGSM900/DCS/PCS Products
- GPRS Class 12
- Power Star™ Module



Functional Block Diagram

Product Description

The RF3161 is a high-power, high-efficiency power amplifier module with integrated power control that provides over 50dB of control range. The device is a self-contained 6mmx6mmx1mm module with 50Ω input and output terminals. The device is designed for use as the final RF amplifier in GSM850, EGSM900, DCS and PCS handheld digital cellular equipment and other applications in the 824MHz to 849MHz, 880MHz to 915MHz, 1710MHz to 1785MHz and 1850MHz to 1910MHz bands. The RF3161 can be used for GSM and Polar Mod EDGE applications. The RF3161 requires no external routing or external components, simplifying layout and reducing board space.

Ordering Information

| | |
|----------------|--|
| RF3161 | Quad-Band GSM850/GSM900/DCS/PCS Power amp Module |
| RF3161 SB | Power Amp Module 5-Piece Sample Pack |
| RF3161PCBA-410 | Fully Assembled Evaluation Board |

Optimum Technology Matching® Applied

- | | | | |
|--|--------------------------------------|---|-----------------------------------|
| <input checked="" type="checkbox"/> GaAs HBT | <input type="checkbox"/> SiGe BiCMOS | <input type="checkbox"/> GaAs pHEMT | <input type="checkbox"/> GaN HEMT |
| <input type="checkbox"/> GaAs MESFET | <input type="checkbox"/> Si BiCMOS | <input checked="" type="checkbox"/> Si CMOS | |
| <input type="checkbox"/> InGaP HBT | <input type="checkbox"/> SiGe HBT | <input type="checkbox"/> Si BJT | |

RF MICRO DEVICES®, RFMD®, Optimum Technology Matching®, Enabling Wireless Connectivity™, PowerStar®, POLARIS™ TOTAL RADIO™ and UltimateBlue™ are trademarks of RFMD, LLC. BLUETOOTH is a trademark owned by Bluetooth SIG, Inc., U.S.A. and licensed for use by RFMD. All other trade names, trademarks and registered trademarks are the property of their respective owners. ©2006, RF Micro Devices, Inc.

RF3161

Proposed

RFMD 

rfmd.com

**Please contact
RFMD Technical Support
at (336) 678-5570
for more information.**