

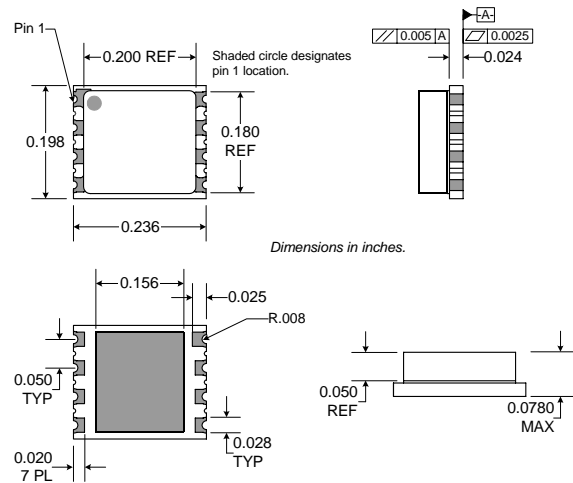
Typical Applications

- GaAs HBT Pre-Driver for Basestation Amplifiers
- Power Amplifier Stage for Commercial Wireless Infrastructure
- Class AB Operation for GSM/EDGE/CDMA Transmitter Applications

Product Description

The RF3802 is specifically designed for wireless infrastructure applications. Using a highly reliable GaAs HBT fabrication process, this high-performance dual-stage amplifier achieves high output power over a broad frequency range. The RF3802 amplifier also provides excellent efficiency and thermal stability through the use of a thermally-enhanced surface-mount AIN package. Ease of integration is accomplished through the incorporation of an optimized evaluation board design provided to achieve proper 50Ω operation. Various evaluation board bias configurations are available to address a broad range of wireless infrastructure applications:

- AMPS/GSM850/EDGE850
- GSM900/EDGE900
- IS-95/CDMA2000/AMPS

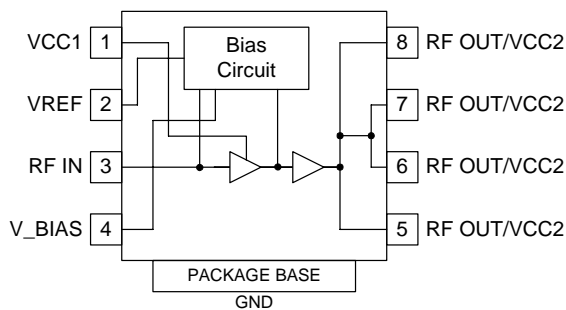


Optimum Technology Matching® Applied

- | | | |
|-------------------------------------|--|---------------------------------------|
| <input type="checkbox"/> Si BJT | <input checked="" type="checkbox"/> GaAs HBT | <input type="checkbox"/> GaAs MESFET |
| <input type="checkbox"/> Si Bi-CMOS | <input type="checkbox"/> SiGe HBT | <input type="checkbox"/> Si CMOS |
| <input type="checkbox"/> InGaP/HBT | <input type="checkbox"/> GaN HEMT | <input type="checkbox"/> SiGe Bi-CMOS |

Package Style: AIN

- Features**
- 5W Output Power
 - High Linearity
 - 35% Power-Added Efficiency
 - AIN Packaging
 - Broadband Platform Design Approach



Functional Block Diagram

Ordering Information

RF3802	GaAs HBT Pre-Driver Amplifier
RF3802PCBA-410	Fully Assembled Evaluation Board - GSM850
RF3802PCBA-411	Fully Assembled Evaluation Board - GSM900

RF Micro Devices, Inc.
7628 Thorndike Road
Greensboro, NC 27409, USA

Tel (336) 664 1233
Fax (336) 664 0454
<http://www.rfmd.com>

***Please contact
RF Micro Devices
Applications Engineering
at (336) 678-5570
for more information.***