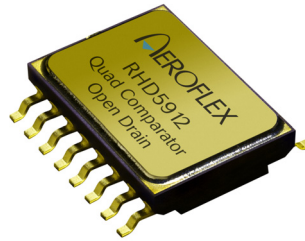


RadHard-by-Design RHD5912 Quad Comparator Open Drain Outputs

www.aeroflex.com/RHDseries

December 24, 2013



FEATURES

- Single power supply operation at 3.3V or 5.0V
- Radiation performance
 - Total dose: > 1 Mrad(Si); Dose rate = 50 - 300 rads(Si)/s
 - ELDRS Immune
 - SEL Immune > 100 MeV-cm²/mg
 - Neutron Displacement Damage > 10¹⁴ neutrons/cm²
- Short Circuit Tolerant
- Full military temperature range
- Designed for aerospace and high reliability space applications
- Packaging – Hermetic ceramic SOIC
 - 16-pin, .411"L x .293"W x .105"Ht
 - Weight - 0.8 grams max
- Aeroflex Plainview's Radiation Hardness Assurance Plan is DLA Certified to MIL-PRF-38534, Appendix G.

GENERAL DESCRIPTION

Aeroflex's RHD5912 is a radiation hardened, single supply, quad comparator with open drain outputs in a 16-pin SOIC package. The RHD5912 design uses specific circuit topology and layout methods to mitigate total ionizing dose effects and single event latchup. These characteristics make the RHD5912 especially suited for the harsh environment encountered in Deep Space missions. It is guaranteed operational from -55°C to +125°C. Available screened in accordance with MIL-PRF-38534 Class K, the RHD5912 is ideal for demanding military and space applications.

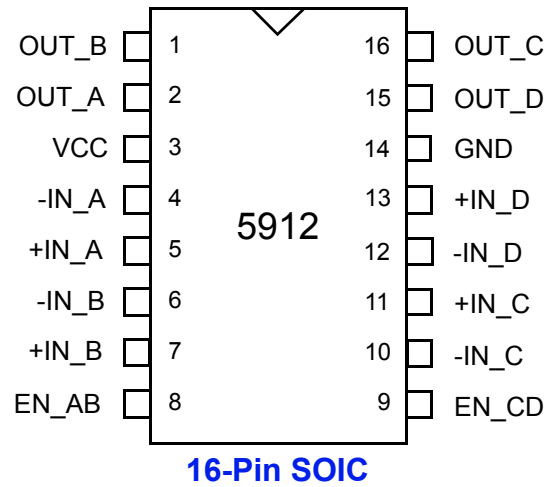
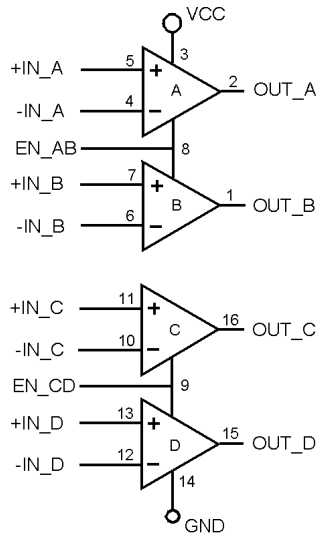
ORGANIZATION AND APPLICATION

The RHD5912 quad comparator is intended for operation with dynamic signals on either or both inputs. Comparison is 'continuous', that is, the circuit functions as high gain open loop amplifiers with a digital output. For slow input signals with small input differences the comparators can be expected to respond to small noise signals at the inputs. Although there is internal hysteresis, feedback hysteresis is the responsibility of the user to avoid 'chattering' on system noise.

The comparator will accept signals anywhere in the included power supply range. The circuit delay is specified for a half-volt single ended or differential input step of either polarity ending in an input polarity reversal of 10mV. See Switching Diagrams.

CMOS device drive has a negative temperature coefficient and the devices are therefore inherently tolerant to momentary shorts, although on chip thermal shutdown is not provided. All inputs and outputs are diode protected

The devices will not latch with SEU events above 100 Mev-cm²/mg. Total dose degradation is minimal to above 1 Mrad(Si). Displacement damage environments to neutron fluence equivalents in the mid 10¹⁴ neutrons per cm² range are readily tolerated. There is no sensitivity to low-dose rate (ELDRS) effects. SEU effects are application dependent.



BLOCK DIAGRAM

PACKAGE PIN-OUT

Notes:

1. Package and Lid are electrically isolated from signal pads.
2. It is recommended that the Lid be grounded to prevent any ESD or static buildup.
3. EN_AB enables Comparators A & B. EN_CD enables Comparators C & D.

Pin	Signal Name	Definition
1	OUT_B	Output of Comparator B.
2	OUT_A	Output of Comparator A.
3	VCC	DC Supply Voltage.
4	-IN_A	Inverting input of Comparator A.
5	+IN_A	Non-Inverting input of Comparator A.
6	-IN_B	Inverting input of Comparator B.
7	+IN_B	Non-Inverting input of Comparator B.
8	EN_AB	A Logic Low will disable Comparator A & B so that the outputs are high impedance.
9	EN_CD	A Logic Low will disable Comparator C & D so that the outputs are high impedance.
10	-IN_C	Inverting input of Comparator C.
11	+IN_C	Non-Inverting input of Comparator C.
12	-IN_D	Inverting input of Comparator D.
13	+IN_D	Non-Inverting input of Comparator D.
14	GND	DC Supply Return.
15	OUT_D	Output of Comparator D.
16	OUT_C	Output of Comparator C.

PIN-OUT DESCRIPTION

ABSOLUTE MAXIMUM RATINGS

Parameter	Range	Units
Case Operating Temperature Range	-55 to +125	°C
Storage Temperature Range	-65 to +150	°C
Junction Temperature	+150	°C
Supply Voltage (+V _{CC})	+6.0	V
Input Voltage	V _{CC} +0.4 GND -0.4	V V
Lead Temperature (soldering, 10 seconds)	300	°C
Thermal Resistance, Junction-to-Case θ_{JC}	7	°C/W
ESD Rating (MIL-STD-883, Method 3015, Class 2)	2,000 - 3,999	V
Power @ 25°C	250	mW

NOTICE: Stresses above those listed under "Absolute Maximum Ratings" may cause permanent damage to the device. These are stress rating only; functional operation beyond the "Operation Conditions" is not recommended and extended exposure beyond the "Operation Conditions" may affect device reliability.

RECOMMENDED OPERATING CONDITIONS

Symbol	Parameter	Typical	Units
+V _{CC}	Power Supply Voltage	3.3 to 5.0	V
V _{CM}	Input Common Mode Range	(V _{CC} - 1.5) to GND	V

ELECTRICAL PERFORMANCE CHARACTERISTICS

(T_C = -55°C TO +125°C, +V_{CC} = +5.0V -- UNLESS OTHERWISE SPECIFIED)

Parameter	Symbol	Conditions	Min	Max	Units
Quiescent Supply Current <u>1/</u>	I _{CCQ}	EN = 1, NO LOAD		3	mA
		EN = 0 <u>2/</u>		300	nA
Input Offset Voltage <u>1/</u>	V _{OS}		-20	20	mV
Input Offset Current <u>1/</u> , <u>3/</u>	I _{OS}	T _C = +25°C, +125°C	-10	10	nA
Input Bias Current <u>1/</u> , <u>3/</u>	I _B	T _C = +25°C, +125°C	-10	10	nA
Common Mode Rejection Ratio <u>1/</u>	CMRR		50		dB
Power Supply Rejection Ratio <u>1/</u>	PSRR		70		dB
Output Voltage Low <u>1/</u>	V _{OL}	I _{OUT} = 5mA		0.25	V
		I _{OUT} = 10mA		0.44	V
		I _{OUT} = 20mA		1.00	V
Gain <u>1/</u>	A		5		V/mV
Output Leakage Current <u>1/</u> , <u>3/</u>	I _{LKOUT}	V _{OUT} = V _{CC} , T _C = +25°C, +125°C		100	nA
Short Circuit Output Current <u>2/</u>	I _{O(SINK)}		-35	-60	mA
Input Voltage - Enable (EN_AB, EN_CD)	V _{HI}	High (Enabled)	3.5		V
	V _{LO}	Low (Disabled)		1.5	V
Input Current - Enable (EN_AB, EN_CD) <u>3/</u>	I _{EN}	T _C = +25°C, +125°C		10	nA

Notes: 1/ Specification derated to reflect Total Dose exposure to 1 Mrad(Si) @ 25°C.
2/ Not tested. Shall be guaranteed by design, characterization or correlation to other test parameters.
3/ Subgroup 3 for these parameters is guaranteed, but not production tested.

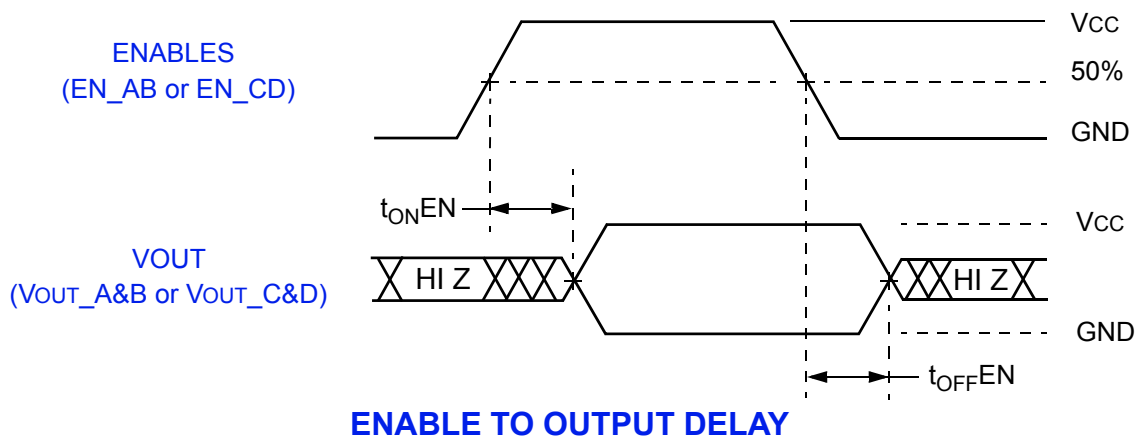
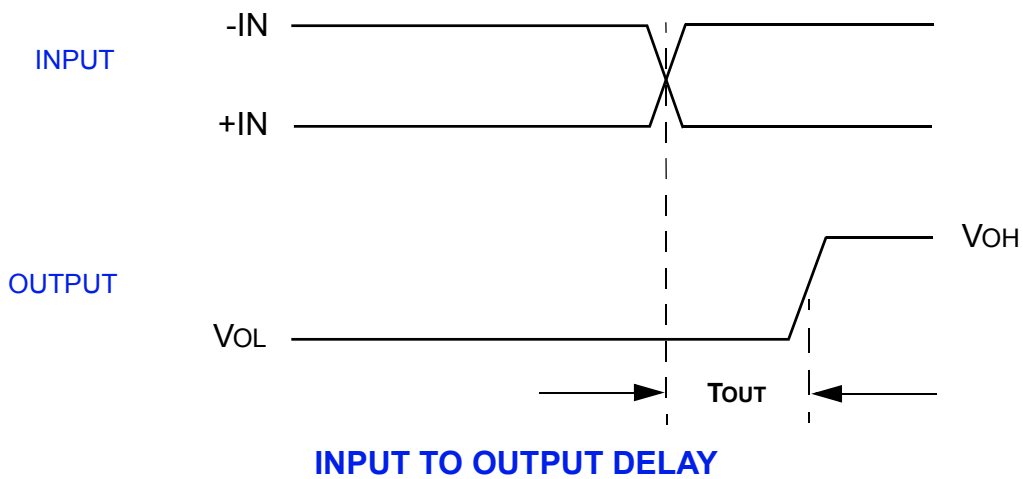
SWITCHING CHARACTERISTICS

(Tc = -55°C TO +125°C, +Vcc = +5.0V -- UNLESS OTHERWISE SPECIFIED)

Parameter	Symbol	Conditions	Min	Max	Units
Output Delay (Switching)	T _{OUT}	1/		300	ns
Output Delay (Enabled)	t _{ONEN}			500	ns
Output Delay (Disabled)	t _{OFFEN}			100	ns

Note:

1/ The circuit delay is specified for a half-volt single ended or differential input step, of either polarity, ending in an input polarity reversal of 10mV.



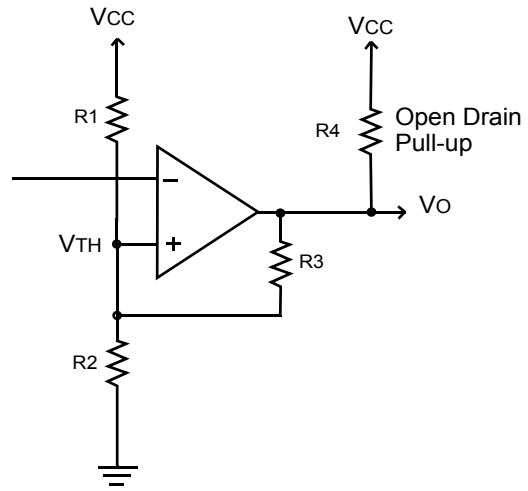
RHD5912 SWITCHING DIAGRAMS

Threshold Voltage

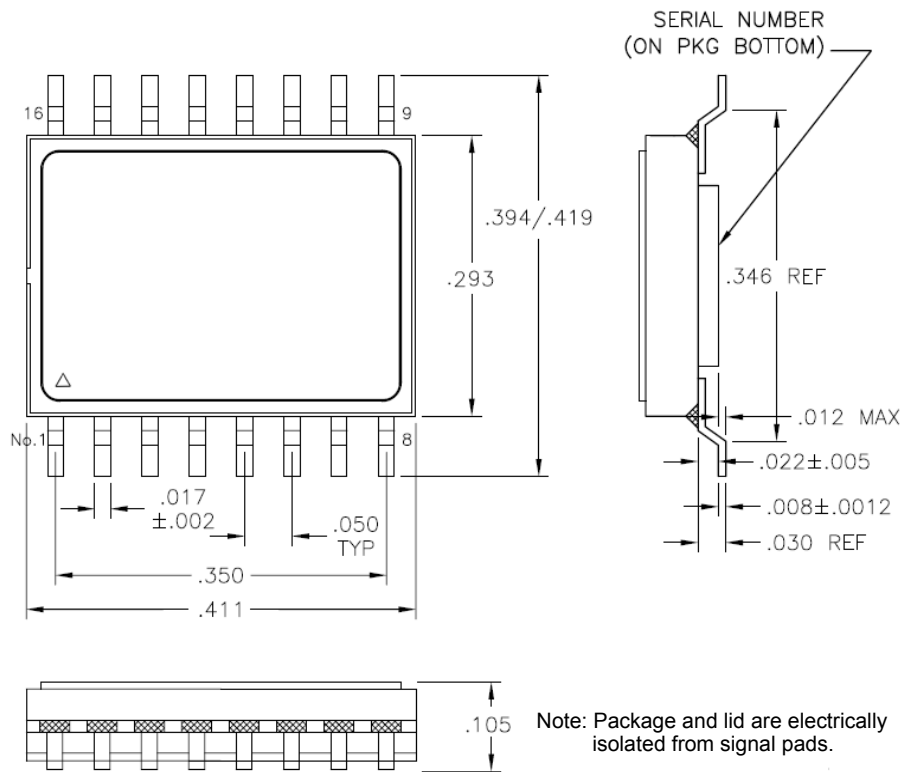
$$V_{TH} = V_{CC} \frac{R2}{R1 + R2}$$

Hysteresis Calculation

$$HYS = V_O \frac{R2}{R2 + R3}$$



APPLICATION NOTE 1: HYSTERESIS



PACKAGE OUTLINE

ORDERING INFORMATION

Model	DLA SMD #	Screening	Package
RHD5912-7	-	Commercial Flow, +25°C testing only	16-pin SOIC Package
RHD5912-S	-	Military Temperature, -55°C to +125°C Screened in accordance with the individual Test Methods of MIL-STD-883 for Space Applications	
RHD5912-201-1S	5962-1024203KXC	In accordance with DLA SMD	
RHD5912-201-2S	5962-1024203KXA		
RHD5912-901-1S	5962H1024203KXC	In accordance with DLA Certified RHA Program Plan to RHA Level "H", 1Mrad(Si)	
RHD5912-901-2S	5962H1024203KXA		

EXPORT CONTROL:

This product is controlled for export under the International Traffic in Arms Regulations (ITAR). A license from the U.S. Department of State is required prior to the export of this product from the United States.

EXPORT WARNING:

Aeroflex's military and space products are controlled for export under the International Traffic in Arms Regulations (ITAR) and may not be sold or proposed or offered for sale to certain countries. (See ITAR 126.1 for complete information.)

PLAINVIEW, NEW YORK

Toll Free: 800-THE-1553
Fax: 516-694-6715

INTERNATIONAL

Tel: 805-778-9229
Fax: 805-778-1980

NORTHEAST

Tel: 603-888-3975
Fax: 603-888-4585

SE AND MID-ATLANTIC

Tel: 321-951-4164
Fax: 321-951-4254

WEST COAST

Tel: 949-362-2260
Fax: 949-362-2266

CENTRAL

Tel: 719-594-8017
Fax: 719-594-8468

www.aeroflex.com info-ams@aeroflex.com



Aeroflex Microelectronic Solutions reserves the right to change at any time without notice the specifications, design, function, or form of its products described herein. All parameters must be validated for each customer's application by engineering. No liability is assumed as a result of use of this product. No patent licenses are implied.



Our passion for performance is defined by three attributes represented by these three icons: solution-minded, performance-driven and customer-focused