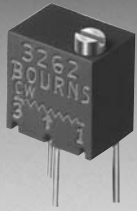


AVAILABLE THROUGH DISTRIBUTION



BOURNS®

Features

- Multiturn / Cermet / Industrial / Sealed
- Listed on the QPL per MIL-R-22097 and High-Rel MIL-R-39035
- Patent #4427966 drive mechanism

RJ26/RJR26 - 1/4 " Trimming Potentiometer

Electrical Characteristics

Standard Resistance Range
.....10 to 1 megohm
(see standard resistance table)

Resistance Tolerance±10 % std.

Absolute Minimum Resistance

RJ262 % or
20 ohms max. (whichever is greater)

RJR262 % or
2 ohms max. (whichever is greater)

Contact Resistance Variation3.0 % or
3 ohms max. (whichever is greater)

Adjustability

Voltage±0.02 %

Resistance±0.05 %

ResolutionInfinite

Insulation Resistance500 vdc.
1,000 megohms min.

Dielectric Strength

Sea Level600 vac

80,000 Feet250 vac

Effective Travel12 turns nom.

Environmental Characteristics

Power Rating (200 volts max.)

85 °C0.25 watt

150 °C0 watt

Temperature Range-65 °C to +150 °C

Temperature Coefficient±100 ppm/°C

Seal Test85 °C Fluorinert*

Humidity

RJ26MIL-STD-202 Method 106
96 hours (1 % ΔTR, 10 Megohms IR)

RJR26MIL-STD-202 Method 106
96 hours (1 % ΔTR, 100 Megohms IR)

Vibration20 G (1 % ΔTR; 1 % ΔVR)

Shock100 G (1 % ΔTR; 1 % ΔVR)

Load Life

RJ261,000 hours 0.25 watt @ 85 °C
(2 % ΔTR; 1 % ΔVR)

RJR2610,000 hours 0.25 watt @ 85 °C
(3 % ΔTR)

Rotational Life200 cycles
(2 % ΔTR)

Physical Characteristics

Torque3.0 oz-in. max.

Mechanical StopsWiper idles

TerminalsMIL-STD-202; Method 208

Weight0.015 oz.

MarkingMil-spec part number

Wiper50 % (Actual TR) ±10 %

FlammabilityU.L. 94V-0

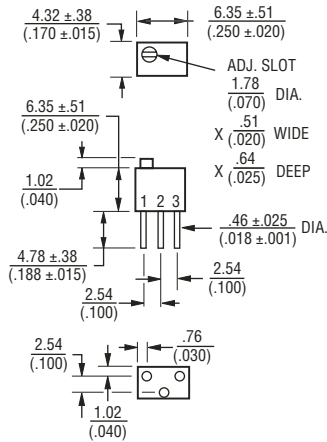
Standard Packaging50 pcs. per tube

Adjustment ToolH-90

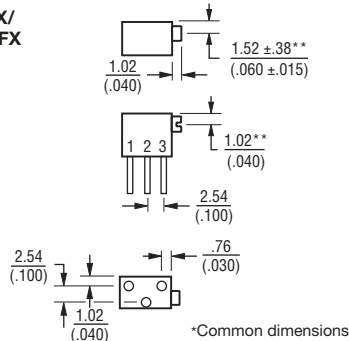
Product Dimensions

RJ26FW/RJR26FW

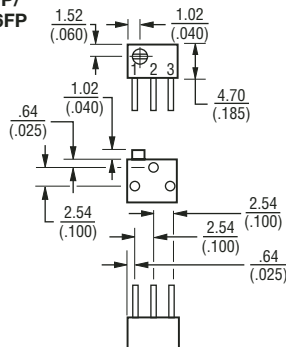
Common Dimensions



RJ26FX/ RJR26FX



RJ26FP/ RJR26FP



TOLERANCES: ± 0.25 (.010) EXCEPT WHERE NOTED

DIMENSIONS ARE: $\frac{\text{MM}}{\text{(INCHES)}}$

How To Order

MIL-PRF-22097 RJ26 F W 202

Model _____

Characteristic _____
F = ±100 ppm/°C Temp. Coeff. Max.

Terminal Style _____

Resistance Code _____

How To Order

MIL-PRF-39035 RJR26 F W 204 P

Model _____

Characteristic _____
F = ±100ppm/°C Temp. Coeff. Max.

Terminal Style _____

Resistance Code _____

Failure Rate

M = 1.0 %

P = 0.1 %

R = 0.01 %

Standard Resistance Table

Resistance (Ohms)	Resistance Code
10	100
20	200
50	500
100	101
200	201
500	501
1,000	102
2,000	202
5,000	502
10,000	103
20,000	203
25,000	253
50,000	503
100,000	104
200,000	204
250,000	254
500,000	504
1,000,000	105

