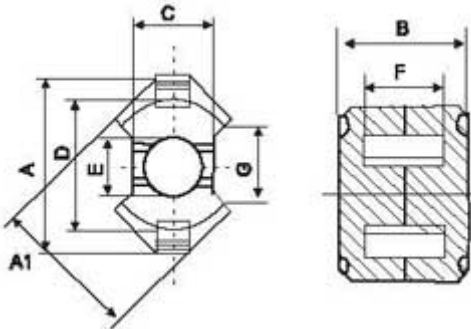




RM CORES



Introduce of RM Cores

RM cores (square cores) maximize magnetic performance while minimizing PC board space--at least a 40% savings in mounting area! Special advantages of Yuxiang RM-Core assemblies: choice of linear or flat temperature characteristics; and consistency and uniformity. Yuxiang RM cores are offered in a wide variety of materials to support various applications. Ferrite RM core is available either gapped or ungapped.

Advantages of RM cores

In addition to all of the magnetic and mechanical advantages of pot cores, RM cores offer the following advantages:

- Electromagnetic Features: self-shielding, simple tuning adjustments, temperature stability, and low losses;
- Mechanical Features: compactness, bobbin winding, ease of assembly, PCB mounting, and automated assembly possible.

Type	Dimensions(mm)							
	A1	A	B	C	D	E	F	G
RM4A	9.60±0.2	10.75±0.25	10.40±0.10	4.50±0.10	8.15±0.20	3.80±0.10	7.2±0.20	5.8
RM5A	12.05±0.25	14.65±0.30	10.40±0.10	6.60±0.20	10.40±0.20	4.80±0.10	6.5±0.2	6.0
RM6A	14.40±0.3	17.55±0.35	12.40±0.10	8.00±0.20	12.65±0.25	6.30±0.10	8.2±0.2	8.8
RM8A	19.30±0.40	22.75±0.45	16.40±0.10	10.75±0.25	17.30±0.30	8.40±0.20	11.0±0.2	9.5
RM10A	24.15±0.55	27.85±0.65	18.60±0.10	13.25±0.25	21.65±0.45	10.7±0.20	12.7±0.3	10.9
RM12A	29.25±0.55	36.75±0.65	24.50±0.10	15.85±0.25	25.5±0.50	12.6±0.20	17.1±0.3	12.9
RM14A	34.10±0.60	41.50±0.70	30.10±0.10	18.70±0.30	29.60±0.60	14.7±0.3	21.1±0.3	17.0

Type	Core parameter				weight (g/pr.)	Al(nH/N2)±25%	
	C1 (mm-1)	Ae (mm2)	Ie (mm)	Ve (mm3)		F5	F10
	RM4A	1.69	13.8	23.3		322	2.8
RM5A	0.935	24.8	23.2	574	3.3	1700	6700+40% -30%
RM6A	0.784	37.0	29.2	1090	4.9	2150	8600+40% -30%
RM8A	0.604	63.0	38.4	2440	12.0	3300	12500+40% -30%
RM10A	0.462	96.6	44.6	4310	22.0	4050	16000+40% -30%
RM12A	0.388	146	56.6	8340	45.0	5050	17700min
RM14A	0.353	198	70.0	13900	74.0	5700	19600min

Al: 1kHz,0.5mA,100Ts

Copyright 2005 YUXIANG Magnetic Materials Ind. Co.,Ltd.All Rights Reserved.

Add: 16F1 ,jinyuan building,NO.57,hubin S.Rd.,Xiamen,China.361004

Tel : (86)592 2225286 (86)592 2219816 (86)592 2217138 Fax: (86)592 2207122

Email : magnetcom@gmail.com sales@magnet-tech.com