

# RM5231A

## RM5231A™ Microprocessor with 32-Bit System Bus

### Data Sheet

**Proprietary and Confidential**

**Preliminary**

**Issue 2, September 2001**

## Legal Information

### Copyright

© 2001 PMC-Sierra, Inc.

The information is proprietary and confidential to PMC-Sierra, Inc., and for its customers' internal use. In any event, you cannot reproduce any part of this document, in any form, without the express written consent of PMC-Sierra, Inc.

PMC-2002174 (P2)

### Disclaimer

None of the information contained in this document constitutes an express or implied warranty by PMC-Sierra, Inc. as to the sufficiency, fitness or suitability for a particular purpose of any such information or the fitness, or suitability for a particular purpose, merchantability, performance, compatibility with other parts or systems, of any of the products of PMC-Sierra, Inc., or any portion thereof, referred to in this document. PMC-Sierra, Inc. expressly disclaims all representations and warranties of any kind regarding the contents or use of the information, including, but not limited to, express and implied warranties of accuracy, completeness, merchantability, fitness for a particular use, or non-infringement.

In no event will PMC-Sierra, Inc. be liable for any direct, indirect, special, incidental or consequential damages, including, but not limited to, lost profits, lost business or lost data resulting from any use of or reliance upon the information, whether or not PMC-Sierra, Inc. has been advised of the possibility of such damage.

### Trademarks

RM5231A is a trademark of PMC-Sierra, Inc.

### Contacting PMC-Sierra

PMC-Sierra, Inc.  
105-8555 Baxter Place Burnaby, BC  
Canada V5A 4V7

Tel: (604) 415-6000  
Fax: (604) 415-6200

Document Information: [document@pmc-sierra.com](mailto:document@pmc-sierra.com)  
Corporate Information: [info@pmc-sierra.com](mailto:info@pmc-sierra.com)  
Technical Support: [apps@pmc-sierra.com](mailto:apps@pmc-sierra.com)  
Web Site: <http://www.pmc-sierra.com>

## Revision History

Issue No.	Issue Date	Details of Change
2	September 2001	<p>Added 1.8 V to the feature: 1.65 V or 1.8 V core with 3.3 V or 2.5 V I/O (p9). Changed recommended operating conditions V<sub>clnt</sub> to 1.57 V to 1.85 V and V<sub>ccP</sub> to 1.57 V to 1.85 V. Added V<sub>ssP</sub> commercial and industrial values. Modified Note 4.</p> <p>Added reference to V<sub>clnt</sub> to Power Consumption table. Changed standby modes to 350. Modified Note 1.</p> <p>Modified SysClock Frequency and SysClock Period values in the Clock Parameters table.</p>
1	March 2001	<p>Applied PMC-Sierra template to existing MPD (QED) FrameMaker document.</p> <p>Revised the Absolute Maximum Ratings table to include industrial operating temperatures. Revised the Recommended Operating conditions table (V<sub>ccIO</sub>). Revised the DC Electrical Characteristics section. Included 350 MHz Power CPU Speed Power Consumption and Clock Parameter values. Revised the System Interface Parameters table.</p>

## Document Conventions

The following conventions are used in this datasheet:

- All signal, pin, and bus names described in the text, such as **ExtRqst\***, are in boldface typeface.
- All bit and field names described in the text, such as ***Interrupt Mask***, are in an italic-bold typeface.
- All instruction names, such as MFHI, are in san serif typeface.

## Table of Contents

Legal Information .....	2
Revision History .....	3
Document Conventions .....	4
Table of Contents .....	5
List of Figures .....	7
List of Tables .....	8
1 Features .....	9
2 Block Diagram .....	10
3 Hardware Overview .....	11
3.1 Superscalar Dispatch .....	11
3.2 CPU Registers .....	11
3.3 Pipeline .....	11
3.4 Integer Unit .....	12
3.5 Register File .....	12
3.6 ALU .....	12
3.7 Integer Multiply/Divide .....	12
3.8 Floating-Point Co-Processor .....	13
3.9 Floating-Point Unit .....	13
3.10 Floating-Point General Register File .....	15
3.11 System Control Coprocessor (CP0) .....	16
3.12 System Control Co-Processor Registers .....	16
3.13 Virtual to Physical Address Mapping .....	17
3.14 Joint TLB .....	18
3.15 Instruction TLB .....	19
3.16 Data TLB .....	19
3.17 Cache Memory .....	19
3.18 Instruction Cache .....	19
3.19 Data Cache .....	20
3.20 Write Buffer .....	21
3.21 System Interface .....	22
3.22 System Address/Data Bus .....	22
3.23 System Command Bus .....	22
3.24 Handshake Signals .....	23
3.25 Non-overlapping System Interface .....	23
3.26 Enhanced Write Modes .....	24
3.27 External Requests .....	25
3.28 Interrupt Handling .....	25
3.29 Standby Mode .....	25
3.30 JTAG Interface .....	25

3.31	Boot-Time Options .....	25
3.32	Boot-Time Modes .....	26
4	Pin Descriptions .....	27
5	Absolute Maximum Ratings .....	30
6	Recommended Operating Conditions .....	31
7	DC Electrical Characteristics .....	32
8	Power Consumption .....	33
9	AC Electrical Characteristics .....	34
9.1	Capacitive Load Deration .....	34
9.2	Clock Parameters .....	34
9.3	System Interface Parameters .....	35
9.4	Boot-Time Interface Parameters .....	35
10	Timing Diagrams .....	36
10.1	System Interface Timing .....	36
11	Packaging Information .....	37
12	RM5231A 128 QFP Package Numerical Pinout .....	38
13	RM5231A 128 QFP Package Alphabetical Pinout .....	39
14	Ordering Information .....	40

## List of Figures

Figure 1	Block Diagram .....	10
Figure 2	CPU Registers .....	11
Figure 3	Pipeline .....	12
Figure 4	CP0 Registers .....	17
Figure 5	Kernel Mode Virtual Addressing (32-bit) .....	18
Figure 6	Typical Embedded System Block Diagram .....	22
Figure 7	Processor Block Read .....	24
Figure 8	Processor Block Write .....	24
Figure 9	Clock Timing .....	36
Figure 10	Input Timing .....	36
Figure 11	Output Timing .....	36

## List of Tables

Table 1	Integer Multiply/Divide Operations .....	13
Table 2	Floating-Point Instruction Cycles .....	15
Table 3	Cache Attributes .....	21
Table 4	Boot Time Mode Bit Stream .....	26
Table 5	System Interface .....	27
Table 6	Clock/Control Interface .....	28
Table 7	Interrupt Interface .....	28
Table 8	JTAG Interface .....	28
Table 9	Initialization Interface .....	29
Table 10	Power Supply .....	29

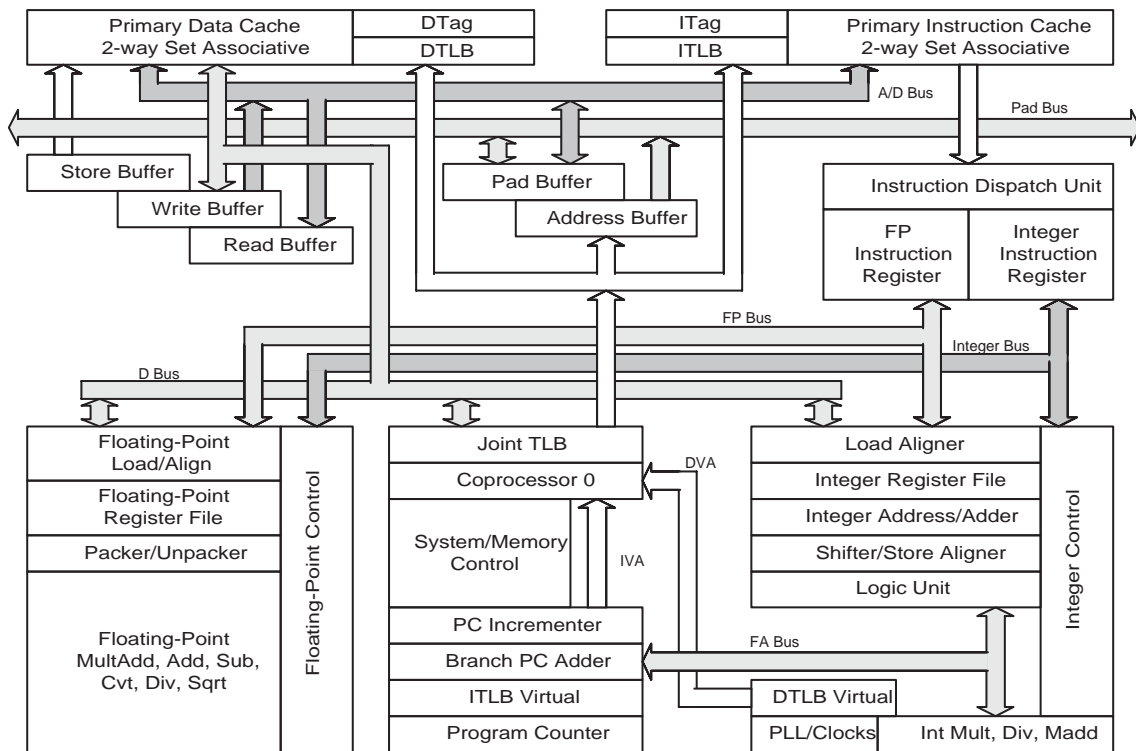


# 1 Features

- Dual Issue superscalar microprocessor
  - 250, 300, and 350 MHz operating frequencies
  - Up to 420 Dhrystone 2.1 MIPS
- System interface optimized for embedded applications
  - 32-bit system interface lowers total system cost
  - High-performance write protocols maximize uncached write bandwidth
  - Processor clock multipliers: 2, 2.5, 3, 3.5, 4, 4.5, 5, 6, 7, 8, 9
  - IEEE 1149.1 JTAG boundary scan
- Integrated on-chip caches
  - 32 KB instruction and 32 KB data — 2 way set associative
  - Per set locking
  - Virtually indexed, physically tagged
  - Write-back and write-through on a per page basis
  - Pipeline restart on first doubleword for data cache misses
- Integrated memory management unit
  - Fully associative joint TLB (shared by I and D translations)
  - 48 dual entries map 96 pages
  - Variable page size (4 KB to 16 MB in 4x increments)
- High-performance floating-point unit — up to 700 MFLOPS
  - Single cycle repeat rate for common single-precision operations and some double precision operations
  - Two cycle repeat rate for double-precision multiply and double precision combined multiply-add operations
  - Single cycle repeat rate for single-precision combined multiply-add operation
- MIPS IV instruction set
  - Floating point multiply-add instruction increases performance in signal processing and graphics applications
  - Conditional moves to reduce branch frequency
  - Index address modes (register + register)
- Embedded application enhancements
  - Specialized DSP integer Multiply-Accumulate instructions and 3-operand multiply instruction
  - I and D cache locking by set
  - Optional dedicated exception vector for interrupts
- Fully static 0.18 micron CMOS design with power down logic
  - Standby reduced power mode with WAIT instruction
  - 1.65 V or 1.8 V core with 3.3 V or 2.5 V I/O
- 128-pin QFP package

## 2 Block Diagram

Figure 1 Block Diagram



### 3 Hardware Overview

The RM5231A offers a high-level of integration targeted at high-performance embedded applications. The key elements of the RM5231A are briefly described below.

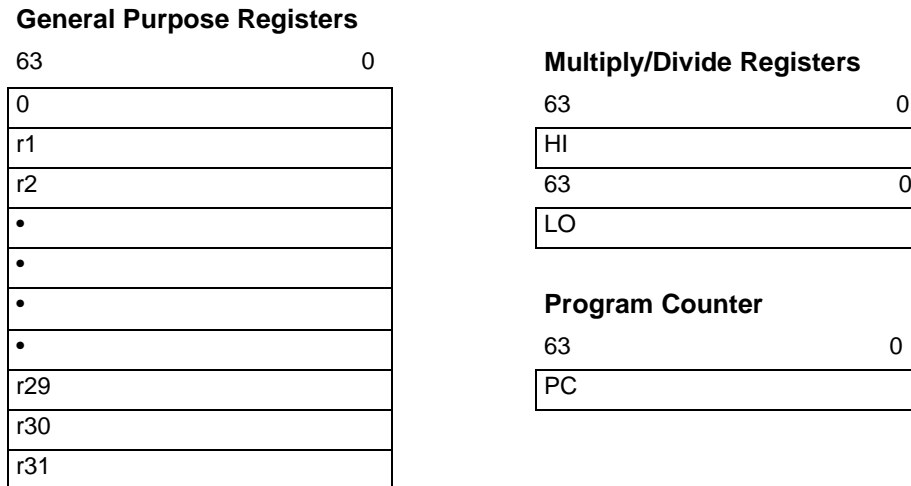
#### 3.1 Superscalar Dispatch

The RM5231A has an asymmetric superscalar dispatch unit which allows it to issue an integer instruction and a floating-point computation instruction simultaneously. Integer instructions include alu, branch, load/store, and floating-point load/store, while floating-point computation instructions include floating-point add, subtract, combined multiply-add, and converts. In combination with its high-throughput fully pipelined floating-point execution unit, the superscalar capability of the RM5231A provides unparalleled price/performance in computationally intensive embedded applications.

#### 3.2 CPU Registers

The RM5231A contains 32 general purpose registers, two special purpose registers for integer multiplication and division, a program counter, and no condition code bits. Figure 2 shows the user visible state.

**Figure 2 CPU Registers**

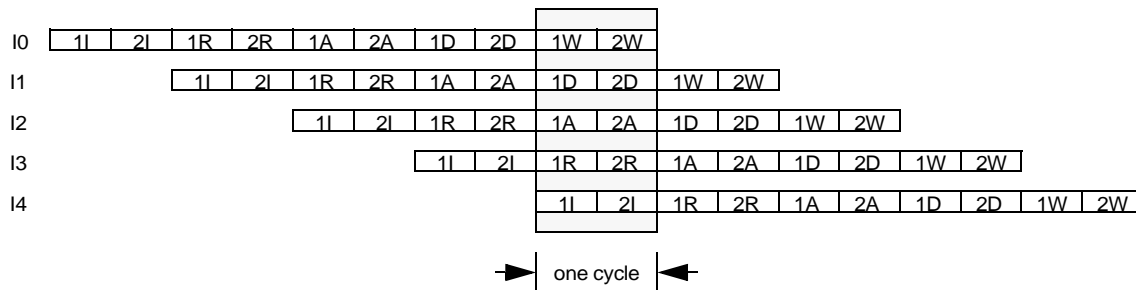


#### 3.3 Pipeline

For integer operations, loads, stores, and other non-floating-point operations, the RM5231A uses the 5-stage pipeline. In addition to the integer pipeline, the RM5231A uses an extended 7-stage pipeline for floating-point operations.

Figure 3 shows the RM5231A integer pipeline. As illustrated in the figure, up to five integer instructions can be executing simultaneously.

**Figure 3 Pipeline**



- 1I-1R: Instruction cache access
- 2I: Instruction virtual to physical address translation
- 2R: Register file read, Bypass calculation, Instruction decode, Branch address calculation
- 1A: Issue or slip decision, Branch decision
- 1A: Data virtual address calculation
- 1A-2A: Integer add, logical, shift
- 2A: Store Align
- 2A-2D: Data cache access and load align
- 1D: Data virtual to physical address translation
- 2W: Register file write

### 3.4 Integer Unit

The RM5231A integer unit includes thirty-two general purpose 64-bit registers, a load/store architecture with single cycle ALU operations (add, sub, logical, shift) and an autonomous multiply/divide unit. Additional register resources include: the HI/LO result registers for the two-operand integer multiply/divide operations, and the program counter (PC).

The RM5231A implements the MIPS IV Instruction Set Architecture, and is therefore fully upward compatible with applications that run on processors implementing the earlier generation MIPS I-III instruction sets.

### 3.5 Register File

The RM5231A has thirty-two general purpose registers with register location 0 (r0) hard wired to a zero value. These registers are used for scalar integer operations and address calculation. The register file has two read ports and one write port and is fully bypassed to minimize operation latency in the pipeline.

### 3.6 ALU

The RM5231A ALU consists of an integer adder/subtractor, a logic unit, and a shifter. The adder performs address calculations in addition to arithmetic operations. The logic unit performs all logical and zero shift data moves. The shifter performs shifts and store alignment operations. Each of these units is optimized to perform all operations in a single processor cycle.

### 3.7 Integer Multiply/Divide

The RM5231A has a dedicated integer multiply/divide unit optimized for high-speed multiply and multiply-accumulate operations. Table 1 shows the performance of the multiply/divide unit on each operation

**Table 1 Integer Multiply/Divide Operations**

Opcode	Operand Size	Latency	Repeat Rate	Stall Cycles
MULT/U, MAD/U	16 bit	3	2	0
	32 bit	4	3	0
MUL	16 bit	3	2	1
	32 bit	4	3	2
DMULT, DMULTU	any	7	6	0
DIV, DIVD	any	36	36	0
DDIV, DDIVU	any	68	68	0

The baseline MIPS IV ISA specifies that the results of a multiply or divide operation be placed in the *Hi* and *Lo* registers. These values can then be transferred to the general purpose register file using the Move-from-Hi and Move-from-Lo (MFHI/MFLO) instructions.

In addition to the baseline MIPS IV integer multiply instructions, the RM5231A also implements the 3 operand multiply instruction, MUL. This instruction specifies that the multiply result go directly to the integer register file rather than the Lo register. The portion of the multiply that would have normally gone into the Hi register is discarded. For applications where it is known that the upper half of the multiply result is not required, using the MUL instruction eliminates the necessity of executing an explicit MFLO instruction.

Also included in the RM5231A are the multiply-add instructions, MADU/MAD. This instruction multiplies two operands and adds the resulting product to the current contents of the Hi and Lo registers. The multiply-accumulate operation is the core primitive of almost all signal processing algorithms allowing the RM5231A to eliminate the need for a separate DSP engine in many embedded applications.

### 3.8 Floating-Point Co-Processor

The RM5231A incorporates a high-performance fully pipelined floating-point co-processor which includes a floating-point register file and autonomous execution units for multiply/add/convert and divide/square root. The floating-point coprocessor is a tightly coupled execution unit, decoding and executing instructions in parallel with, and in the case of floating-point loads and stores, in cooperation with the integer unit. The superscalar capabilities of the RM5231A allow floating-point computation instructions to issue concurrently with integer instructions.

### 3.9 Floating-Point Unit

The RM5231A floating-point execution unit supports single and double precision arithmetic, as specified in the IEEE Standard 754. The execution unit is broken into a separate divide/square root unit and a pipelined multiply/add unit. Overlap of the divide/square root and multiply/add operations is supported.

The RM5231A maintains fully precise floating-point exceptions while allowing both overlapped and pipelined operations. Precise exceptions are extremely important in object-oriented programming environments and highly desirable for debugging in any environment.

Floating-point operations includes:

- add
- subtract
- multiply
- divide
- square root
- reciprocal
- reciprocal square root
- conditional moves
- conversion between fixed-point and floating-point format
- conversion between floating-point formats, and floating-point compare.

Table 2 gives the latencies of the floating-point instructions in internal processor cycles.

**Table 2 Floating-Point Instruction Cycles**

Operation	Latency	Repeat Rate
fadd	4	1
fsub	4	1
fmult	4/5	1/2
fmadd	4/5	1/2
fmsub	4/5	1/2
fdiv	21/36	19/34
fsqrt	21/36	19/34
frecip	21/36	19/34
frsqrt	38/68	36/66
fcvt.s.d	4	1
fcvt.s.w	6	3
fcvt.s.l	6	3
fcvt.d.s	4	1
fcvt.d.w	4	1
fcvt.d.l	4	1
fcvt.w.s	4	1
fcvt.w.d	4	1
fcvt.l.s	4	1
fcvt.l.d	4	1
fcmp	1	1
fmov	1	1
fmovc	1	1
fabs	1	1
fneg	1	1

**Note**

1. Numbers are represented as single/double precision format.

### 3.10 Floating-Point General Register File

The floating-point general register file (FGR) is made up of thirty-two 64-bit registers. With the floating-point load and store double instructions (LDC1 and SDC1), the floating-point unit can take advantage of the 64-bit wide data cache and issue a floating-point co-processor load or store doubleword instruction in every cycle.

The floating-point control register space contains two registers; one for determining configuration and revision information for the coprocessor and one for control and status information. These are primarily used for diagnostic software, exception handling, state saving and restoring, and control of rounding modes. To support superscalar operation, the FGR has four read ports and two write ports, and is fully bypassed to minimize operation latency in the pipeline. Three of the read ports and one write port are used to support the combined multiply-add instruction while the fourth read and second write port allows a concurrent floating-point load or store.

### 3.11 System Control Coprocessor (CP0)

The system control coprocessor, also called coprocessor 0 or CP0 in the MIPS architecture, is responsible for the virtual memory sub-system, the exception control system, and the diagnostics capability of the processor.

The memory management unit controls the virtual memory system page mapping. It consists of an instruction address translation buffer, ITLB, a data address translation buffer, DTLB, a Joint instruction and data address translation buffer, JTLB, and co-processor registers used by the virtual memory mapping sub-system.

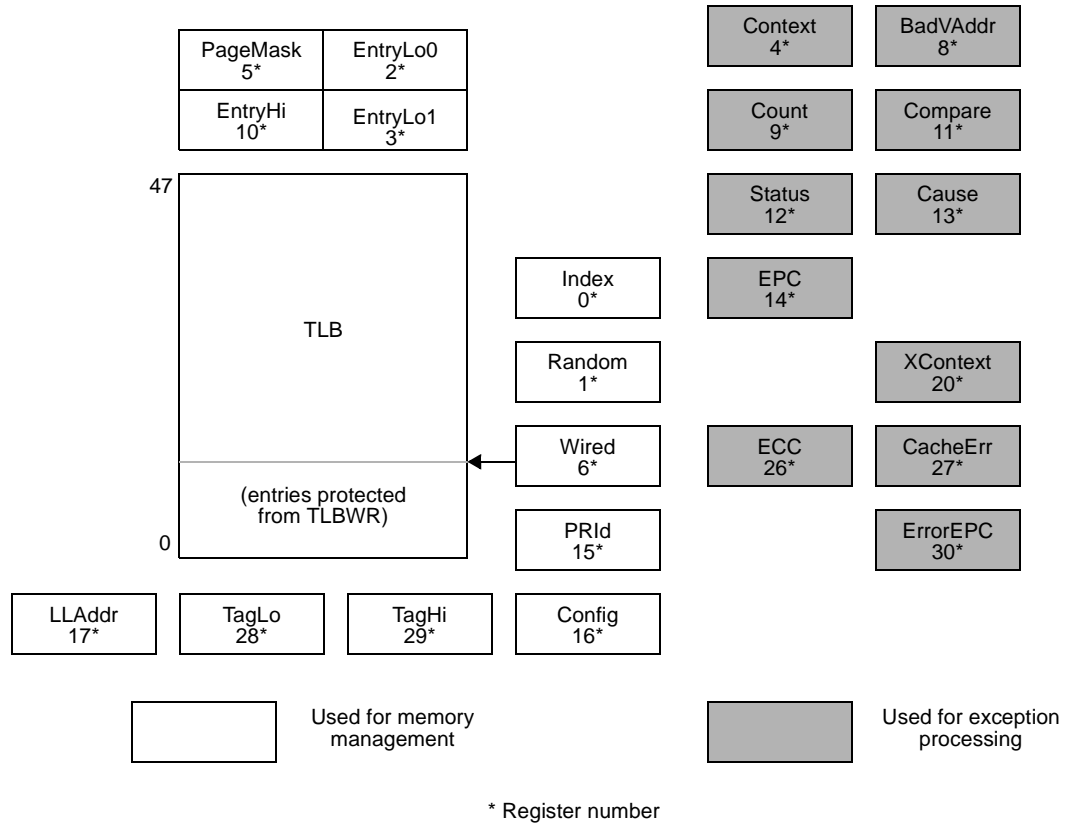
### 3.12 System Control Co-Processor Registers

The RM5231A incorporates all system control coprocessor (CP0) registers on-chip. These registers provide the path through which the virtual memory system's page mapping is examined and modified, exceptions are handled, and operating modes are controlled (kernel vs. user mode, interrupts enabled or disabled, cache features). In addition, the RM5231A includes registers to implement a real-time cycle counting facility to aid in cache diagnostic testing and to assist in data error detection.

Figure 4 shows the CP0 registers.



**Figure 4 CP0 Registers**



### 3.13 Virtual to Physical Address Mapping

The RM5231A provides three modes of virtual addressing:

- user mode
- kernel mode
- supervisor mode

This mechanism is available to system software to provide a secure environment for user processes. Bits in the CP0 *Status* register determine which virtual addressing mode is used. In the user mode, the RM5231A provides a single, uniform virtual address space of 1TB (2 GB in 32-bit mode).

When operating in the kernel mode, four distinct virtual address spaces, totalling over 2.5 TB (4 GB in 32-bit mode), are simultaneously available and are differentiated by the high-order bits of the virtual address.

The RM5231A processor also supports a supervisor mode in which the virtual address space over 2 TB (2.5 GB in 32-bit mode), divided into three regions based on the high-order bits of the virtual address.

When the RM5231A is configured as a 64-bit microprocessor, the virtual address space layout is an upward compatible extension of the 32-bit virtual address space layout.

Figure 5 shows the address space layout for 32-bit operation.

**Figure 5 Kernel Mode Virtual Addressing (32-bit)**

0xFFFFFFFF	Kernel virtual address space (kseg3)
0xE0000000	Mapped, 0.5GB
0xDFFFFFFF	Supervisor virtual address space (ksegs)
0xC0000000	Mapped, 0.5GB
0xBFFFFFFF	Uncached kernel physical address space (ksegs1)
0xA0000000	Unmapped, 0.5GB
0x9FFFFFFF	Cached kernel physical address space (ksegs0)
0x80000000	Unmapped, 0.5GB
0x7FFFFFFF	User virtual address space (kusegs)
	Mapped, 2.0GB
0x00000000	

### 3.14 Joint TLB

For fast virtual-to-physical address translation, the RM5231A uses a large, fully associative TLB that maps 96 virtual pages to their corresponding physical addresses. As indicated by its name, the joint TLB (JTLB) is used for both instruction and data translations. The JTLB is organized as 48 pairs of even-odd entries, and maps a virtual address and address space identifier into the large, 64 GB physical address space.

Two mechanisms are provided to assist in controlling the amount of mapped space and the replacement characteristics of various memory regions. First, the page size can be configured, on a per-entry basis, to use page sizes in the range of 4 KB to 16 MB (in multiples of 4). The CP0 Page Mask register is loaded with the desired page size of a mapping, and that size is stored into the TLB along with the virtual address when a new entry is written. Thus, operating systems can create special purpose maps; for example, an entire frame buffer can be memory mapped using only one TLB entry.

The second mechanism controls the replacement algorithm when a TLB miss occurs. The RM5231A provides a random replacement algorithm to select a TLB entry to be written with a new mapping. However, the processor also provides a mechanism whereby a system specific number of mappings can be locked into the TLB, thereby avoiding random replacement. This mechanism uses the Wired register to ‘lock’ certain TLB entries and allows the operating system

to guarantee that certain pages are always mapped for performance reasons and for deadlock avoidance. This mechanism also facilitates the design of real-time systems by allowing deterministic access to critical software.

The JTLB also contains information that controls the cache coherency protocol for each page. Specifically, each page has attribute bits to determine the following coherency algorithms:

- uncached
- non-coherent write-back
- non-coherent write-through with write-allocate
- non-coherent write-through without write-allocate
- sharable
- exclusive
- update

The non-coherent protocols are used for both code and data on the RM5231A, with data using write-back or write-through depending on the application. The coherency attributes generate coherent transaction types on the system interface. However, in the RM5231A cache coherency is not supported, hence the coherency attributes should never be used.

### **3.15 Instruction TLB**

The RM5231A implements a 2-entry instruction TLB (ITLB) to minimize contention for the JTLB, eliminate the timing critical path of translating through a large associative array, and save power. Each ITLB entry maps a 4 KB page. The ITLB improves performance by allowing instruction address translation to occur in parallel with data address translation. When a miss occurs on an instruction address translation by the ITLB, the least-recently used ITLB entry is filled from the JTLB. The operation of the ITLB is completely transparent to the user.

### **3.16 Data TLB**

The RM5231A implements a 4-entry data TLB (DTLB) for the same reasons cited above for the ITLB. Each DTLB entry maps a 4 KB page. The DTLB improves performance by allowing data address translation to occur in parallel with instruction address translation. When a miss occurs on a data address translation by the DTLB, the DTLB is filled from the JTLB. The DTLB refill is pseudo-LRU: the least recently used entry of the least recently used pair of entries is filled. The operation of the DTLB is completely transparent to the user.

### **3.17 Cache Memory**

The RM5231A incorporates on-chip instruction and data caches that can be accessed in a single processor cycle. Each cache has its own 64-bit data path and both caches can be accessed simultaneously. The cache subsystem provides the integer and floating-point units with an aggregate bandwidth of over 3 GB per second at an internal clock frequency of 200 MHz.

### **3.18 Instruction Cache**

The RM5231A incorporates a two-way set associative on-chip instruction cache. This virtually indexed, physically tagged cache is 32 KB in size and is protected with word parity.

Since the cache is virtually indexed, the virtual-to-physical address translation occurs in parallel with the cache access, further increasing performance by allowing these two operations to occur simultaneously. The cache tag contains a 24-bit physical address, a valid bit, and has a single parity bit.

The instruction cache is 64-bits wide and can be accessed each processor cycle. Accessing 64 bits per cycle allows the instruction cache to supply two instructions per cycle to the superscalar dispatch unit. For typical code sequences where a floating-point load or store and a floating-point computation instruction are being issued together in a loop, the entire bandwidth available from the instruction cache is consumed.

Cache miss refill writes 64 bits per cycle to minimize the cache miss penalty. The line size is eight instructions (32 bytes) to maximize the performance of communication between the processor and the memory system.

The RM5231A supports instruction cache locking. The contents of one set of the cache, set A, can be locked by setting a bit in the coprocessor 0 Status register. Locking the set prevents its contents from being overwritten by a subsequent cache miss. A refill occurs only into set B. This mechanism allows the programmer to lock critical code into the cache thereby guaranteeing deterministic behavior for the locked code sequence.

### **3.19 Data Cache**

For fast, single cycle data access, the RM5231A includes a 32KB on-chip data cache that is two-way set associative with a fixed 32-byte (eight words) line size.

The data cache is protected with byte parity and its tag is protected with a single parity bit. It is virtually indexed and physically tagged to allow simultaneous address translation and data cache access.

Cache protocols supported for the data cache are:

1. **Uncached**

Data loads and instruction fetches from uncached memory space are brought in from main memory to the register file and the execution unit, respectively. The caches are not accessed. Data stores to uncached memory space go directly to the main memory without updating the data cache.

2. **Write-back**

Loads and instruction fetches first search the cache, reading main memory only if the desired data is not cache resident. On data store operations, the cache is first searched to determine if the target address is cache resident. If it is resident, the cache contents are updated, and the cache line is marked for later write-back. If the cache lookup misses, the target cache line is first brought into the cache and then the write is performed as above.

3. **Write-through with write allocate**

Loads and instruction fetches first search the cache, reading main memory only if the desired data is not cache resident. On data store operations, the cache is first searched to determine if the target address is cache resident. If it is resident, the cache contents are updated and main

memory is written, leaving the *write-back* bit of the cache line unchanged. If the cache lookup misses, the target line is first brought into the cache and then the write is performed as above.

4. Write-through without write allocate

Loads and instruction fetches first search the cache, reading main memory only if the desired data is not cache resident. On data store operations, the cache is first searched to determine if the target address is cache resident. If it is resident, the cache contents are updated and main memory is written, leaving the *write-back* bit of the cache line unchanged. If the cache lookup misses, then only main memory is written.

The most commonly used write policy is write-back, where a store to a cache line does not immediately cause main memory to be updated. This increases system performance by reducing bus traffic and eliminating the bottleneck of waiting for each store operation to finish before issuing a subsequent memory operation. Software can, however, select write-through on a per-page basis when appropriate, such as for frame buffers.

Associated with the data cache is the store buffer. When the RM5231A executes a store instruction, this single-entry buffer gets written with the store data while the tag comparison is performed. If the tag matches, then the data is written into the data cache in the next cycle that the data cache is not accessed (the next non-load cycle). The store buffer allows the RM5231A to execute a store every processor cycle and to perform back-to-back stores without penalty. In the event of a store immediately followed by a load to the same address, a combined merge and cache write occurs such that no penalty is incurred.

The RM5231A cache attributes for both the instruction and data caches are summarized in Table 3.

**Table 3 Cache Attributes**

Characteristics	Instruction	Data
Size	32KB	32KB
Organization	2-way set associative	2-way set associative
Line size	32B	32B
Index	vAddr <sub>11..0</sub>	vAddr <sub>11..0</sub>
Tag	pAddr <sub>31..12</sub>	pAddr <sub>31..12</sub>
Write policy	n.a.	write-back/write-through
Read order	sub-block	sub-block
write order	sequential	sequential
miss restart after transfer of	entire line	first double
Parity	per-word	per-byte
Cache locking	set A	set A

### 3.20 Write Buffer

Writes to external memory, whether cache miss write-backs or stores to uncached or write-through addresses, use the on-chip write buffer. The write buffer holds up to four 64-bit address and data pairs. The entire buffer is used for a data cache write-back and allows the processor to proceed in parallel with the memory update. For uncached and write-through stores, the write buffer

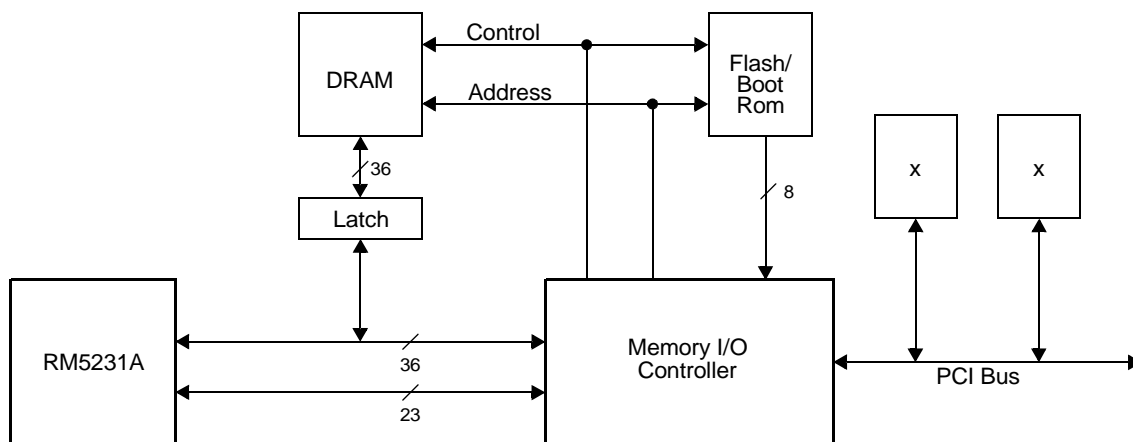
significantly increases performance by decoupling the **SysAD** bus transfers from the instruction execution stream.

### 3.21 System Interface

The system interface consists of a 32-bit Address/Data bus with 4 parity check bits and a 9-bit command bus. In addition, there are 6 handshake signals and 6 interrupt inputs. The interface is capable of transferring data between the processor and memory at a peak rate of 400 MB/sec with a 100 MHz SysClock.

Figure 6 shows a typical embedded system using the RM5231A. In this example, a bank of DRAMs and a memory controller ASIC share the processor's **SysAD** bus while the memory controller provides separate ports to a boot ROM and an I/O system.

**Figure 6 Typical Embedded System Block Diagram**



### 3.22 System Address/Data Bus

The 32-bit System Address Data (**SysAD**) bus is used to transfer addresses and data between the RM5231A and the rest of the system. It is protected with a 4-bit parity check bus (**SysADC**).

The system interface is configurable to allow easy interfacing to memory and I/O systems of varying frequencies. The Block Write data rate, Non-blocking Write protocol, and the Output Drive strength are programmable at Boot time via the *Mode Control* bits. The rate at which the processor receives data is also fully controlled by the external device.

### 3.23 System Command Bus

The RM5231A interface has a 9-bit System Command (**SysCmd**) bus. The command bus indicates whether the **SysAD** bus carries address or data information on a per-clock basis. If the **SysAD** carries address, then the **SysCmd** bus also indicates what type of transaction is to take place (for example, a read or write). If the **SysAD** carries data, then the **SysCmd** bus also gives information about the data (for example, this is the last data word transmitted, or the data contains an error). The **SysCmd** bus is bidirectional to support both processor requests and external requests to the RM5231A. Processor requests are initiated by the RM5231A and responded to by an external device. External requests are issued by an external device and require the RM5231A to respond.

The RM5231A supports one- to four-byte transfers as well as block transfers on the **SysAD** bus. In the case of a sub-word transfer, the two low-order address bits give the byte address of the transfer, and the **SysCmd** bus indicates the number of bytes being transferred.

### 3.24 Handshake Signals

There are six handshake signals on the system interface. Two of these, **RdRdy\*** and **WrRdy\***, are used by an external device to indicate to the RM5231A whether it can accept a new read or write transaction. The RM5231A samples these signals before deasserting the address on read and write requests.

**ExtRqst\*** and **Release\*** are used to transfer control of the **SysAD** and **SysCmd** buses from the processor to an external device. When an external device needs to control the interface, it asserts **ExtRqst\***. The RM5231A responds by asserting **Release\*** to release the system interface to slave state.

**ValidOut\*** and **ValidIn\*** are used by the RM5231A and the external device respectively to indicate that there is a valid address, a command, or data on the **SysAD** and **SysCmd** buses. The RM5231A asserts **ValidOut\*** when it is driving these buses with a valid address, a command or data, and the external agent drives **ValidIn\*** when it has control of the buses and is driving a valid address, a command, or data.

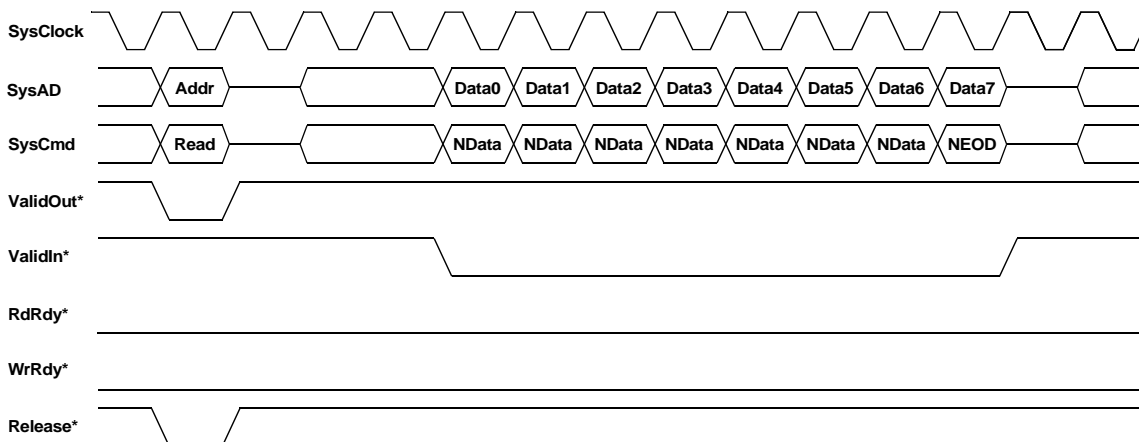
### 3.25 Non-overlapping System Interface

The RM5231A requires a non-overlapping system interface. This means that only one processor request may be outstanding at a time and that the request must be serviced by an external device before the RM5231A issues another request. The RM5231A can issue read and write requests to an external device, whereas an external device can issue null and write requests to the RM5231A.

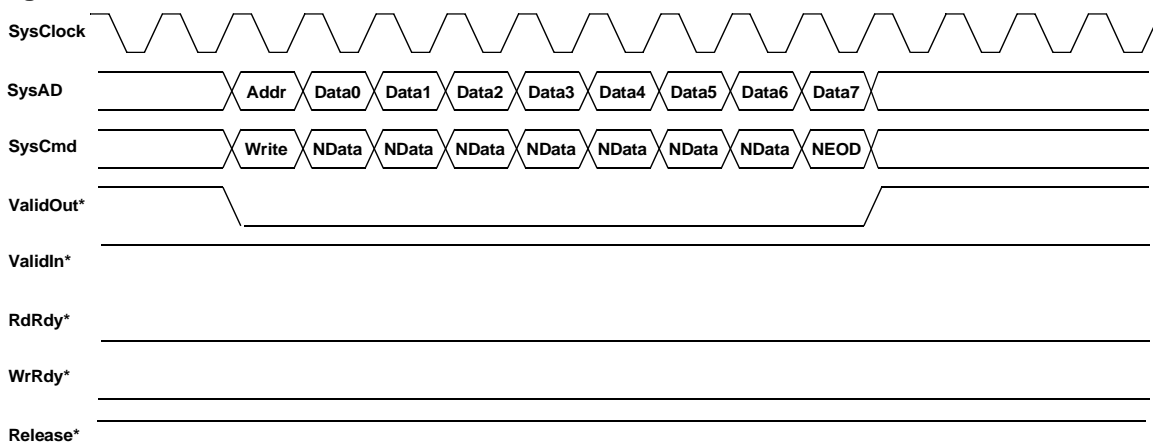
For processor reads the RM5231A asserts **ValidOut\*** and simultaneously drives the address and read command on the **SysAD** and **SysCmd** buses respectively. If the system interface has **RdRdy\*** asserted, then the processor tristates its drivers and releases the system interface to the slave state by asserting **Release\***. The external device can then begin sending data to the RM5231A.

Figure 7 shows a processor block read request and the external agent read response. The read latency is four cycles (**ValidOut\*** to **ValidIn\***), and the response data pattern is “WWWWWWWW”, indicating that data can be transferred on every clock with no wait states in-between. Figure 8 shows a processor block write using write response pattern “WWWWWWWW”, or code 0, of the boot time mode select options.

**Figure 7 Processor Block Read**



**Figure 8 Processor Block Write**



### 3.26 Enhanced Write Modes

The RM5231A implements two enhancements to the original R4000 write mechanism: Write Reissue and Pipeline Writes. The original R4000 allowed a write address cycle on the **SysAD** bus only once every four SysClock cycles. Hence for a non-block write, this meant that two out of every four cycles were wait states.

Pipelined write mode eliminates these two wait states by allowing the processor to drive a new write address onto the bus immediately after the previous write data cycle. This allows for higher **SysAD** bus utilization. However, at high bus frequencies the processor may drive a subsequent write onto the bus prior to the time the external agent deasserts **WrRdy\***, indicating that it can not accept another write cycle. This can cause the write cycle to be missed.

Write reissue mode is an enhancement to pipelined write mode and allows the processor to reissue missed write cycles. If **WrRdy\*** is deasserted during the issue phase of a write operation, the cycle is aborted by the processor and reissued at a later time.



In write reissue mode, a write rate of one write every two bus cycles can be achieved. Pipelined writes have the same two bus cycle write repeat rate, but can issue one additional write following the deassertion of **WrRdy\***.

### 3.27 External Requests

The External Request pin, **ExtRqst\***, is asserted by the external agent when it requires mastership of the system interface, either to perform an independent transfer or to write to the interrupt register within the RM5231A. An independent transfer is a data transfer between two external agents or between an external agent and memory or peripheral on the system interface. Following the asserting of the **ExtRqst\***, the RM5231A tri-states its drivers allowing the external agent to use the system interface buses to complete an independent transfer. The external agent is responsible for returning mastership of the system interface to the RM5231A when it has completed the independent transfer and does so by executing an External Null cycle.

### 3.28 Interrupt Handling

The RM5231A supports a dedicated interrupt vector for real time interrupt handling. When enabled by the real time executive by setting a bit in the Cause register, interrupts vector to a specific address which is not shared with any of the other exception types. This capability eliminates the need to go through the normal software routine for exception decode and dispatch, thereby lowering interrupt latency.

### 3.29 Standby Mode

The RM5231A provides a means to reduce the amount of power consumed by the internal core when the CPU is not performing any useful operations. This state is known as Standby Mode.

Executing the WAIT instruction enables interrupts causes the processor to enter Standby Mode. When the WAIT instruction completes the W pipe stage, and if the **SysAD** bus is currently idle, the internal processor clocks stop, thereby freezing the pipeline. The phase lock loop, or PLL, internal timer/counter, and the “wake up” input pins: **Int[5:0]\***, **NMI\***, **ExtReq\***, **Reset\***, and **ColdReset\*** continue to operate in their normal fashion. If the **SysAD** bus is not idle when the WAIT instruction completes the W pipe-stage, then the WAIT is treated as a NOP until the bus operation is completed. Once the processor is in Standby, any interrupt, including the internally generated timer interrupt, causes the processor to exit Standby and resume operation where it left off. The WAIT instruction is typically inserted in the idle loop of the operating system or real time executive.

### 3.30 JTAG Interface

The RM5231A interface supports JTAG Test Access Port (TAP) boundary scan in conformance with the IEEE 1149.1 specification. The JTAG interface is especially helpful for checking the integrity of the processors pin connections.

### 3.31 Boot-Time Options

Fundamental operational modes for the processor are initialized by the boot-time mode control interface. This serial interface operates at a very low frequency (SysClock divided by 256). The low frequency operation allows the initialization information to be kept in a low cost EPROM or a system interface ASIC.

Immediately after the **VccOK** signal is asserted, the processor reads a serial bit stream of 256 bits to initialize all the fundamental operational modes. ModeClock runs continuously from the assertion of **VccOK**.

### 3.32 Boot-Time Modes

The boot-time serial mode stream is defined in Table 4. Bit 0 is the bit presented to the processor as the first bit in the stream when **VccOK** is asserted. Bit 255 is the last bit transferred.

**Table 4 Boot Time Mode Bit Stream**

Mode bit	Description	Mode bit	Description
0	Reserved: Must be zero	15	Reserved: Must be zero
4:1	Write-back data rate (W = write data transfer, x = wait state) 0: WWWWWWWW 1: WWxWWxWWxWWx 2: WWxxWWxxWWxxWWxx 3: WxWxWxWxWxWxWxWx 4: WWxxxWWxxxWWxxxWWxxx 5: WWxxxxWWxxxxWWxxxxWWxxxx 6: WxxWxxWxxWxxWxxWxxWxxWxx 7: WWxxxxxxWWxxxxxxWWxxxxxxWWxxxxxx 8: WxxxWxxxWxxxWxxxWxxxWxxxWxxxWxxx 9-15 reserved	17:16	System configuration identifiers - software visible in Config[21..20] register
7:5	Pclock to SysClock Multiplier <u>Mode Bits 7:5</u> <u>Mode Bit 20=0</u> <u>Mode Bit 20=1</u> 000            Multiply by 2            n/a 001            Multiply by 3            n/a 010            Multiply by 4            n/a 011            Multiply by 5            Multiply by 2.5 100            Multiply by 6            n/a 101            Multiply by 7            Multiply by 3.5 110            Multiply by 8            n/a 111            Multiply by 9            Multiply by 4.5	19:18	Reserved: Must be zero
8	Specifies byte ordering. Logically ORed with BigEndian input signal. 0: Little endian 1: Big endian	20	Select SysClock to PClock Multiply Mode 0: Integer Multipliers 1: Half-Integer Multipliers
10:9	Non-Block Write Protocol 00: R4000 compatible 01: reserved 10: pipelined 11: write re-issue	21	Reserved: Must be one
11	Timer Interrupt Enable/Disable 0: Enable the timer interrupt on <b>Int5*</b> 1: Disable the timer interrupt on <b>Int5*</b>	22	VccIO Setting 0: VccIO = 3.3V 1: VccIO = 2.5V
12	Reserved: Must be zero	255:23	Reserved: Must be zero
14:13	Output driver strength - 100% = fastest 00: 67% strength 01: 50% strength 10: 100% strength 11: 83% strength		

## 4 Pin Descriptions

The following is a list of interface, interrupt, and miscellaneous pins available on the RM5231A. An '\*' at the end of the signal name denotes an active low signal.

**Table 5 System Interface**

Pin Name	Type	Description
ExtRqst*	Input	External Request Signals that the system interface is submitting an external request.
Release*	Output	Release Interface Signals that the processor is releasing the system interface to slave state.
RdRdy*	Input	Read Ready Signals that an external agent can now accept a processor read.
WrRdy*	Input	Write Ready Signals that an external agent can now accept a processor write request.
ValidIn*	Input	Valid Input Signals that an external agent is now driving a valid address or data on the SysAD bus and a valid command or data identifier on the SysCmd bus.
ValidOut*	Output	Valid Output Signals that the processor is now driving a valid address or data on the SysAD bus and a valid command or data identifier on the SysCmd bus.
SysAD[31:0]	Input/Output	System Address/Data bus A 32-bit address and data bus for communication between the processor and an external agent.
SysADC[3:0]	Input/Output	System Address/Data check bus A 4-bit bus containing parity check bits for the SysAD bus during data cycles.
SysCmd[8:0]	Input/Output	System Command/Data identifier bus A 9-bit bus for command and data identifier transmission between the processor and an external agent.
SysCmdP	Input/Output	Reserved for system Command/Data identifier bus parity For the RM5231A, unused on input and zero on output.

**Table 6 Clock/Control Interface**

Pin Name	Type	Description
SysClock	Input	System Clock Master clock input used as the system interface reference clock. All output timings are relative to this input clock. Pipeline operation frequency is derived by multiplying this clock up by the factor selected during boot initialization.
VccP	Input	Quiet Vcc for PLL Quiet Vcc for the internal phase locked loop. Must be connected to VccInt through a filter circuit.
VssP	Input	Quiet Vss for PLL Quiet Vss for the internal phase locked loop. Must be connected to Vss through a filter circuit.

**Table 7 Interrupt Interface**

Pin Name	Type	Description
Int[5:0]*	Input	Interrupt Six general processor interrupts, bit-wise ORed with bits 5:0 of the interrupt register.
NMI*	Input	Non-maskable interrupt Non-maskable interrupt, ORed with bit 6 of the interrupt register.

**Table 8 JTAG Interface**

Pin Name	Type	Description
JTDI	Input	JTAG data in JTAG serial data in.
JTCK	Input	JTAG clock input JTAG serial clock input.
JTDO	Output	JTAG data out JTAG serial data out.
JTMS	Input	JTAG command JTAG command signal, signals that the incoming serial data is command data.

**Table 9 Initialization Interface**

Pin Name	Type	Description
BigEndian	Input	Allows the system to change the processor addressing mode without rewriting the mode ROM.
VccOK	Input	Vcc is OK When asserted, this signal indicates to the RM5231A that both power supplies has been above the recommended value for more than 100 milliseconds and remains stable. The assertion of VccOK initiates the reading of the boot-time mode control serial stream.
ColdReset*	Input	Cold reset This signal must be asserted for a power on reset or a cold reset. ColdReset must be de-asserted synchronously with SysClock.
Reset*	Input	Reset This signal must be asserted for any reset sequence. It may be asserted synchronously or asynchronously for a cold reset, or synchronously to initiate a warm reset. Reset must be de-asserted synchronously with SysClock.
ModeClock	Output	Boot mode clock Serial boot-mode data clock output at the system clock frequency divided by 256
ModeIn	Input	Boot mode data in Serial boot-mode data input.

**Table 10 Power Supply**

Pin Name	Type	Description
VccInt	Input	Power supply for core.
VccIO	Input	Power supply for I/O.
Vss	Input	Ground return.

**Note**

1. An "\*" at the end of the signal name denotes active low.

## 5 Absolute Maximum Ratings<sup>1</sup>

Symbol	Rating	Limits	Unit
V <sub>TERM</sub>	Terminal Voltage with respect to GND	-0.5 <sup>2</sup> to +3.9	V
T <sub>CASE</sub>	Operating Temperature		
	Commercial	0 to +85	°C
	Industrial	-45 to +85	°C
T <sub>STG</sub>	Storage Temperature	-55 to +125	°C
I <sub>IN</sub>	DC Input Current	±20 <sup>3</sup>	mA
I <sub>OUT</sub>	DC Output Current	±20 <sup>4</sup>	mA

### Notes

1. Stresses greater than those listed under ABSOLUTE MAXIMUM RATINGS may cause permanent damage to the device. This is a stress rating only and functional operation of the device at these or any other conditions above those indicated in the operational sections of this specification is not implied. Exposure to absolute maximum rating conditions for extended periods may affect reliability.
2. V<sub>IN</sub> minimum = -2.0 V for pulse width less than 15 ns. V<sub>IN</sub> should not exceed 3.9 Volts.
3. When V<sub>IN</sub> < 0V or V<sub>IN</sub> > V<sub>CCIO</sub>.
4. Not more than one output should be shorted at a time. Duration of the short should not exceed 30 seconds.

## 6 Recommended Operating Conditions

Grade	Temperature	Vss	Vcclnt	VccIO	VccP	VssP
Commercial	0°C to +85°C (Case)	0 V	1.57 V to 1.85 V	3.15 V to 3.45 V or 2.3 V to 2.7 V	1.57 V to 1.85 V	0 V
Industrial	-45°C to +85°C (Case)	0 V	1.57 V to 1.85 V	3.15 V to 3.45 V or 2.3 V to 2.7 V	1.57 V to 1.85 V	0 V

### Notes

1. **VccIO** should not exceed **Vcclnt** by greater than 2.0 V during the power-up sequence.
2. Applying a logic high state to any I/O pin before **Vcclnt** becomes stable is not recommended.
3. As specified in IEEE 1149.1 (JTAG), the **JTMS** pin must be held high during reset to avoid entering JTAG test mode.
4. **VccP** must be connected to **Vcclnt** through a passive filter circuit. **VssP** must be connected to **Vss** through a passive filter circuit. See the RM5200 User's Manual for the recommended filter circuit.

## 7 DC Electrical Characteristics

$V_{CCIO} = 3.15\text{ V} - 3.45\text{ V}$

Parameter	Minimum	Maximum	Conditions
$V_{OL}$		0.2 V	$ I_{OUT}  = 100\ \mu\text{A}$
$V_{OH}$	$V_{CCIO} - 0.2\text{ V}$		
$V_{OL}$		0.4 V	$ I_{OUT}  = 2\text{ mA}$
$V_{OH}$	2.4 V		
$V_{IL}$	-0.3 V	0.8 V	
$V_{IH}$	2.0 V	$V_{CCIO} + 0.3\text{ V}$	
$I_{IN}$		$\pm 15\ \mu\text{A}$ $\pm 15\ \mu\text{A}$	$V_{IN} = 0$ $V_{IN} = V_{CCIO}$

$V_{CCIO} = 2.3\text{ V} - 2.7\text{ V}$

Parameter	Minimum	Maximum	Conditions
$V_{OL}$		0.2 V	$ I_{OUT}  = 100\ \mu\text{A}$
$V_{OH}$	2.1 V		
$V_{OL}$		0.4 V	$ I_{OUT}  = 1\text{ mA}$
$V_{OH}$	2.0		
$V_{OL}$		0.7 V	$ I_{OUT}  = 2\text{ mA}$
$V_{OH}$	1.7		
$V_{IL}$	-0.3 V	0.7 V	
$V_{IH}$	1.7 V	$V_{CCIO} + 0.3\text{ V}$	
$I_{IN}$		$\pm 15\ \mu\text{A}$ $\pm 15\ \mu\text{A}$	$V_{IN} = 0$ $V_{IN} = V_{CCIO}$



## 8 Power Consumption

Parameter		Conditions	CPU Speed		
			250 MHz	300 MHz	350 MHz
		$V_{ccInt} = 1.65\text{ V} \pm 5\%$			
			Max <sup>1</sup>	Max <sup>1</sup>	Max <sup>1</sup>
V <sub>ccInt</sub> Power (mWatts) <sup>3</sup>	standby		350	350	350
	active	Maximum with no FPU operation <sup>2</sup>	900	1100	1200
		Maximum worst case instruction mix	950	1150	1350

### Notes

1. Maximum supply voltage ( $V_{ccInt} = 1.73\text{ V}$ ) with maximum temperature (T<sub>Case</sub>).
2. Dhystone 2.1 instruction mix.
3. V<sub>ccIO</sub> supply power is application dependant, but typically <20% of V<sub>ccInt</sub>.

## 9 AC Electrical Characteristics

### 9.1 Capacitive Load Deration

Parameter	Symbol	Min	Max	Units
Load Derate	C <sub>LD</sub>	—	2	ns/25pF

### 9.2 Clock Parameters

Parameter	Symbol	Test Conditions	CPU Speed						Units
			250 MHz		300 MHz		350 MHz		
			Min	Max	Min	Max	Min	Max	
SysClock High	t <sub>SCH</sub>	Transition ≤ 5ns	3		3		3		ns
SysClock Low	t <sub>SCL</sub>	Transition ≤ 5ns	3		3		3		ns
SysClock Frequency			33	125	33	125	33	125	MHz
SysClock Period	t <sub>SCP</sub>		8	30	8	30	8	30	ns
Clock Jitter for SysClock	t <sub>Jl</sub>			±150		±150		±150	ps
SysClock Rise Time	t <sub>CR</sub>			2		2		2	ns
SysClock Fall Time	t <sub>CF</sub>			2		2		2	ns
ModeClock Period	t <sub>ModeCKP</sub>			256		256		256	t <sub>SCP</sub>
JTAG Clock Period	t <sub>JTAGCKP</sub>		4		4		4		t <sub>SCP</sub>

**Note**

1. Operation of the RM5231A is only guaranteed with the Phase Lock Loop enabled.

### 9.3 System Interface Parameters<sup>1</sup>

Parameter <sup>1</sup>	Symbol	Conditions	CPU Speed 250 MHz to 350 MHz		Units
			Min	Max	
Data Output <sup>2,3</sup>	t <sub>DO</sub>	mode14..13 = 10 <sup>5,6</sup> (fastest)	1.0	5.0	ns
		mode14..13 = 01 <sup>5,6</sup> (slowest)	1.0	6.0	ns
Data Setup <sup>4</sup>	t <sub>DS</sub> <sup>6</sup>	t <sub>rise</sub> = see above table	2.5		ns
Data Hold <sup>4</sup>	t <sub>DH</sub>	t <sub>fall</sub> = see above table	1.0		ns

**Notes**

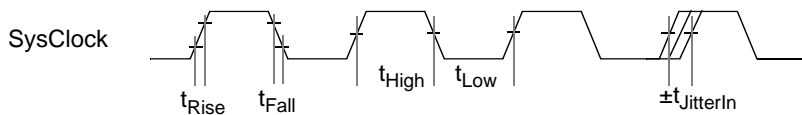
1. Timings are measured from 0.425 x V<sub>ccIO</sub> of clock to 0.425 x V<sub>ccIO</sub> of signal for 3.3V I/O. Timings are measured from 0.48 x V<sub>ccIO</sub> of clock to 0.48 x V<sub>ccIO</sub> of signal for 2.5V I/O.
2. Capacitive load for all maximum output timings is 50 pF. Minimum output timings are for theoretical no load condition-untested.
3. Data Output timing applies to all signal pins whether tristate I/O or output only.
4. Setup and Hold parameters apply to all signal pins whether tristate I/O or input only.
5. Only mode 14:13 = 10 is tested and guaranteed.
6. Data shown is for 3.3 V I/O. For 2.5 V I/O derate all times by .5 nS.

### 9.4 Boot-Time Interface Parameters

Parameter	Symbol	Min	Max	Units
Mode Data Setup	t <sub>DS</sub>	4		SysClock cycles
Mode Data Hold	t <sub>DH</sub>	0		SysClock cycles

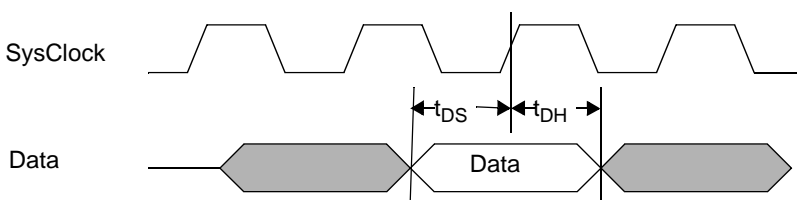
## 10 Timing Diagrams

**Figure 9 Clock Timing**

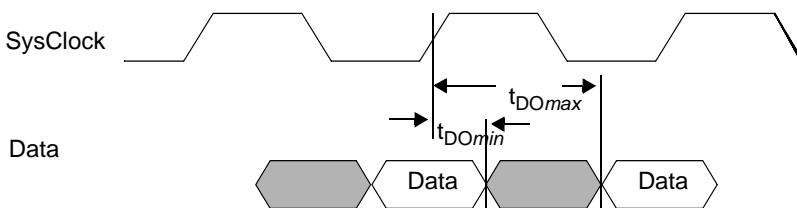


### 10.1 System Interface Timing (SysAD, SysCmd, ValidIn\*, ValidOut\*, etc.)

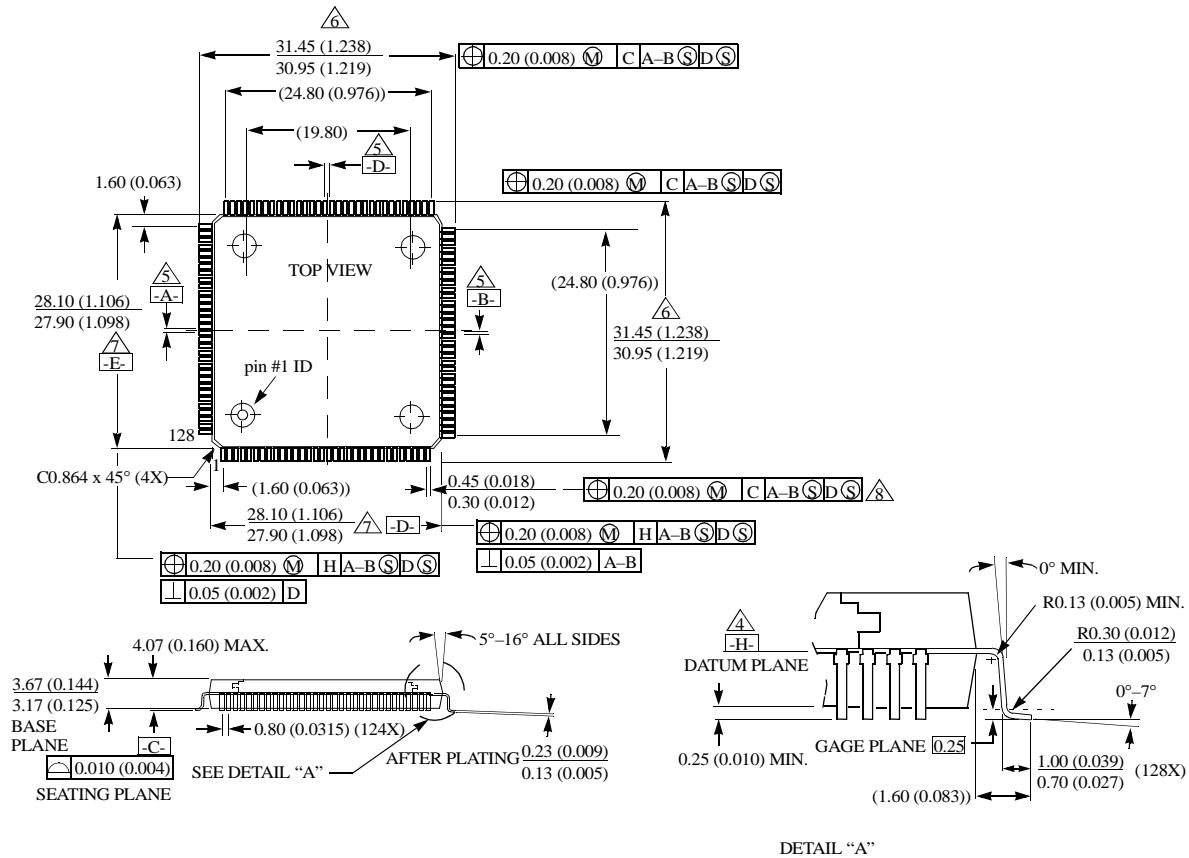
**Figure 10 Input Timing**



**Figure 11 Output Timing**



# 11 Packaging Information



**Notes**

1. Package dimensions conform to JEDEC MO-108(DB-1).
  2. Controlling dimensions: millimeters. Dimensions in inches are shown in parentheses.
  3. Dimensions and tolerancing per ANSI Y14.5 – 1982.
- Ⓐ Datum plane "H" is located at the mold parting line and is coincident with the lead exits the plastic body at bottom of the parting line.
- Ⓑ Datums "A-B" and "D" to be determined at datum plane "H".
- Ⓒ To be determined at the seating plane "C".
- Ⓓ These dimensions to be determined at datum plane "H". Dimensions "D" and "E" do not include mold protrusion. Allowable protrusion is 0.25/0.10" per side.
- Ⓔ Lead width does not include dambar protrusion. Allowable dambar protrusion shall be 0.08 mm/0.003" total in excess of this dimension at the maximum material condition. Dambar cannot be located on the lower radius of the foot.
9. Pin numbers start with Pin #1 and continue counter clockwise to pin #128 when viewed from the top.

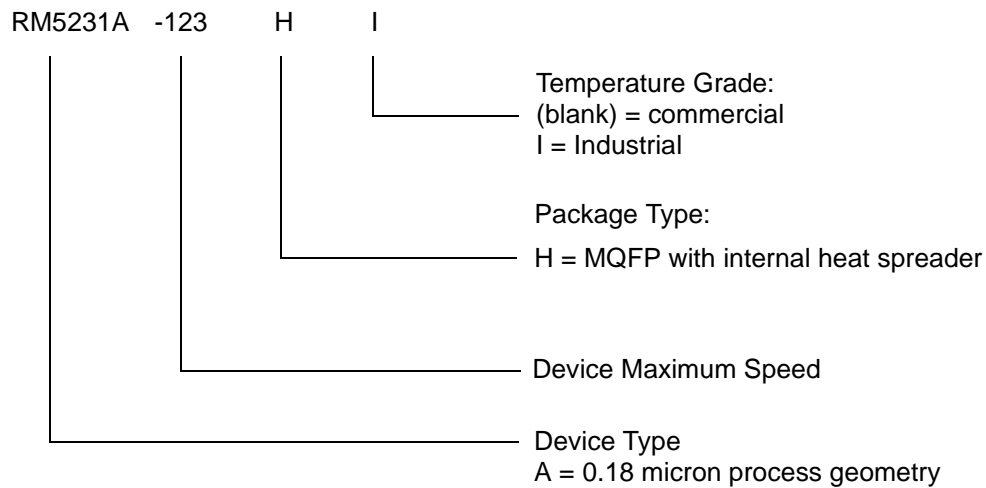
## 12 RM5231A 128 QFP Package Numerical Pinout

Pin	Function	Pin	Function	Pin	Function	Pin	Function
1	NC	33	ModeIn	65	NMI*	97	NC
2	NC	34	RdRdy*	66	ExtRqst*	98	NC
3	VccIO	35	WrRdy*	67	Reset*	99	NC
4	Vss	36	ValidIn*	68	ColdReset*	100	NC
5	SysAD4	37	ValidOut*	69	VccOK	101	VccIO
6	SysAD5	38	Release*	70	BigEndian	102	Vss
7	VccInt	39	VccP	71	VccIO	103	SysAD28
8	Vss	40	VssP	72	Vss	104	SysAD29
9	SysAD6	41	SysClock	73	SysAD16	105	VccInt
10	SysAD7	42	VccInt	74	VccInt	106	Vss
11	SysAD8	43	Vss	75	Vss	107	SysAD30
12	SysAD9	44	SysCmd0	76	SysAD17	108	SysAD31
13	VccIO	45	SysCmd1	77	SysAD18	109	SysADC2
14	Vss	46	SysCmd2	78	SysAD19	110	VccInt
15	SysAD10	47	SysCmd3	79	VccInt	111	Vss
16	SysAD11	48	VccIO	80	Vss	112	SysADC3
17	VccInt	49	Vss	81	SysAD20	113	VccIO
18	Vss	50	SysCmd4	82	SysAD21	114	Vss
19	SysAD12	51	SysCmd5	83	VccIO	115	SysADC0
20	SysAD13	52	Vss	84	Vss	116	SysADC1
21	SysAD14	53	SysCmd6	85	SysAD22	117	SysAD0
22	VccInt	54	SysCmd7	86	SysAD23	118	SysAD1
23	Vss	55	SysCmd8	87	SysAD24	119	VccInt
24	SysAD15	56	SysCmdP	88	SysAD25	120	Vss
25	VccIO	57	VccInt	89	VccInt	121	SysAD2
26	Vss	58	Vss	90	Vss	122	SysAD3
27	ModeClock	59	Int0*	91	SysAD26	123	VccIO
28	JTDO	60	Int1*	92	SysAD27	124	Vss
29	JTDI	61	Int2*	93	VccIO	125	NC
30	JTCK	62	Int3*	94	Vss	126	NC
31	JTMS	63	Int4*	95	NC	127	NC
32	VccIO	64	Int5*	96	NC	128	NC

### 13 RM5231A 128 QFP Package Alphabetical Pinout

Function	Pin	Function	Pin	Function	Pin	Function	Pin
BigEndian	70	SysAD1	118	SysADC1	116	VccIO	71
ColdReset*	68	SysAD2	121	SysADC2	109	VccIO	83
ExtRqst*	66	SysAD3	122	SysADC3	112	VccIO	93
Int0*	59	SysAD4	5	SysClock	41	VccIO	101
Int1*	60	SysAD5	6	SysCmd0	44	VccIO	113
Int2*	61	SysAD6	9	SysCmd1	45	VccIO	123
Int3*	62	SysAD7	10	SysCmd2	46	VccOK	69
Int4*	63	SysAD8	11	SysCmd3	47	VccP	39
Int5*	64	SysAD9	12	SysCmd4	50	Vss	4
JTCK	30	SysAD10	15	SysCmd5	51	Vss	8
JTDI	29	SysAD11	16	SysCmd6	53	Vss	14
JTDO	28	SysAD12	19	SysCmd7	54	Vss	18
JTMS	31	SysAD13	20	SysCmd8	55	Vss	23
ModeClock	27	SysAD14	21	SysCmdP	56	Vss	26
ModeIn	33	SysAD15	24	ValidIn*	36	Vss	43
NC	1	SysAD16	73	ValidOut*	37	Vss	49
NC	2	SysAD17	76	Vcclnt	7	Vss	52
NC	95	SysAD18	77	Vcclnt	17	Vss	58
NC	96	SysAD19	78	Vcclnt	22	Vss	72
NC	97	SysAD20	81	Vcclnt	42	Vss	75
NC	98	SysAD21	82	Vcclnt	57	Vss	80
NC	99	SysAD22	85	Vcclnt	74	Vss	84
NC	100	SysAD23	86	Vcclnt	79	Vss	90
NC	125	SysAD24	87	Vcclnt	89	Vss	94
NC	126	SysAD25	88	Vcclnt	105	Vss	102
NC	127	SysAD26	91	Vcclnt	110	Vss	106
NC	128	SysAD27	92	Vcclnt	119	Vss	111
NMI*	65	SysAD28	103	Vcclnt	119	Vss	111
RdRdy*	34	SysAD29	104	VcclO	3	Vss	114
Release*	38	SysAD30	107	VcclO	13	Vss	120
Reset*	67	SysAD31	108	VcclO	25	Vss	124
SysAD0	117	SysADC0	115	VcclO	32	VssP	40
				VcclO	48	WrRdy*	35

## 14 Ordering Information



### Valid Combinations

- RM5231A-250-H
- RM5231A-300-H
- RM5231A-350-H
- RM5231A-300-HI (contact sales prior to design)