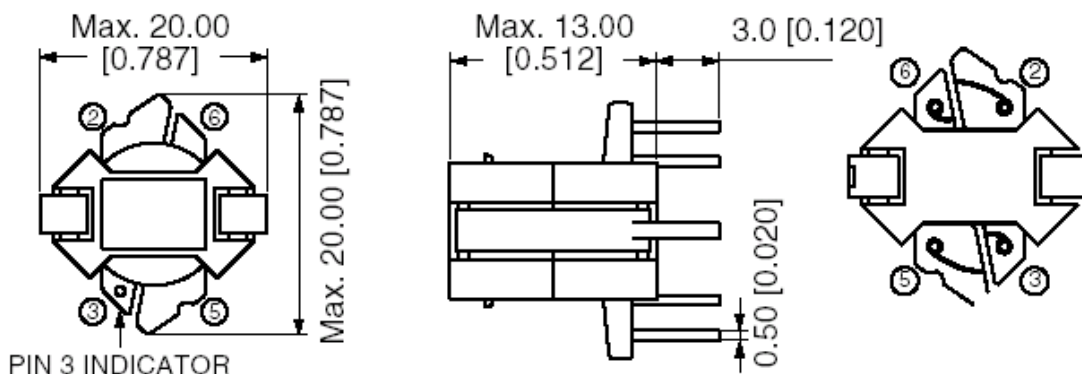
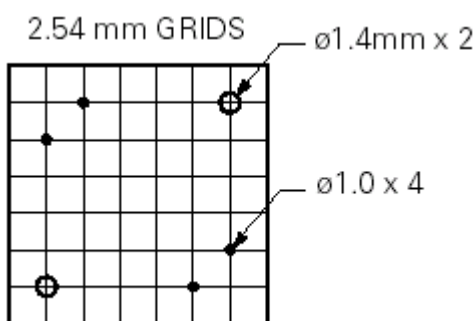
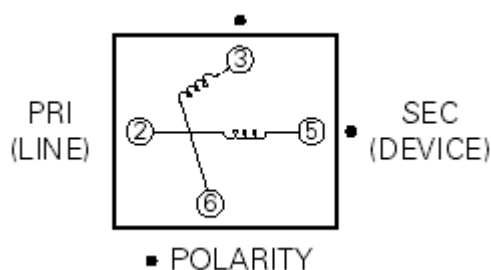


**Type: RM6**
**◆ Product Description**

- 20.0×20.0mm Max.(L×W),13.0mm Max. Height.


**◆ Feature**

- Excellent Longitudinal Balance.
- For use with Legerity's Itergrated Voice and Data(IVD) solution.
- Customized inductance values available.
- RoHS Compliance.

**◆ Dimensions (mm)**

**◆ Land Pattern (mm)**

**◆ Schematics(Bottom)**

**◆ Specification**

Part Name	Inductance (mH)			LL 100kHz, 0.1Vac	THD 50kHz, 12.3Vrms	LB 200Hz-3200 Hz	D.C.R. ( $\Omega$ ) Pri/Sec
	20kHz 0.1Vac,0Adc	20kHz 0.1Vac,0.12Adc	20kHz 0.1Vac,0.23Adc				
T15101	6.44 Min.	6.30 Min.	4.0 Min.	8.0 $\mu$ H Max.	-85dB Max.	65dB Min.	11/11
T15102	8.74 Min.	8.46 Min.	4.0 Min.	8.0 $\mu$ H Max.	-85dB Max.	65dB Min.	13.6/13.6