

64-Bit MIPS RISC Microprocessor with Integrated L2 Cache

FEATURES

- Dual-issue symmetric superscalar microprocessor
 - 400 MHz max CPU frequency
 - 300 MHz max CPU frequency at I-temp (-40-85 C)
 - Capable of issuing two instructions per clock cycle
- Integrated primary and secondary caches
 - 16KB instruction, 16KB Data, and 256KB on-chip secondary
 - All are 4-way set associative with 32-byte line size
 - Per-line locking in primary and secondary caches
 - Fast Packet Cache™ increases system efficiency in networking applications
- High-performance system interface
 - 1000 Mbyte per-second peak throughput
 - 125 MHz maximum frequency multiplexed address/data bus (SysAD)
- Supports two outstanding reads with out-of-order return
- High-performance floating-point unit
 - 800 MFLOPS maximum
 - IEEE754 compliant single and double precision floating-point operations
- 64-bit MIPS instruction set architecture
 - Data PREFETCH instruction allows the processor to overlap cache miss latency and instruction execution
 - Single-cycle floating-point multiply-add
- Integrated memory management unit
 - Fully associative TLB
 - 64/48 dual entries map 128/96 pages
 - Variable page size
- Embedded application enhancements
 - Specialized DSP integer Multiply-Accumulate instructions (MAD/MADU), and three-operand Multiply instruction (MUL)
 - I and D Test/Break-point (Watch) registers for emulation and debug
- Performance counter for system and software tuning and debug
- Fourteen fully prioritized vectored interrupts-10 external, 2 internal, 2 software

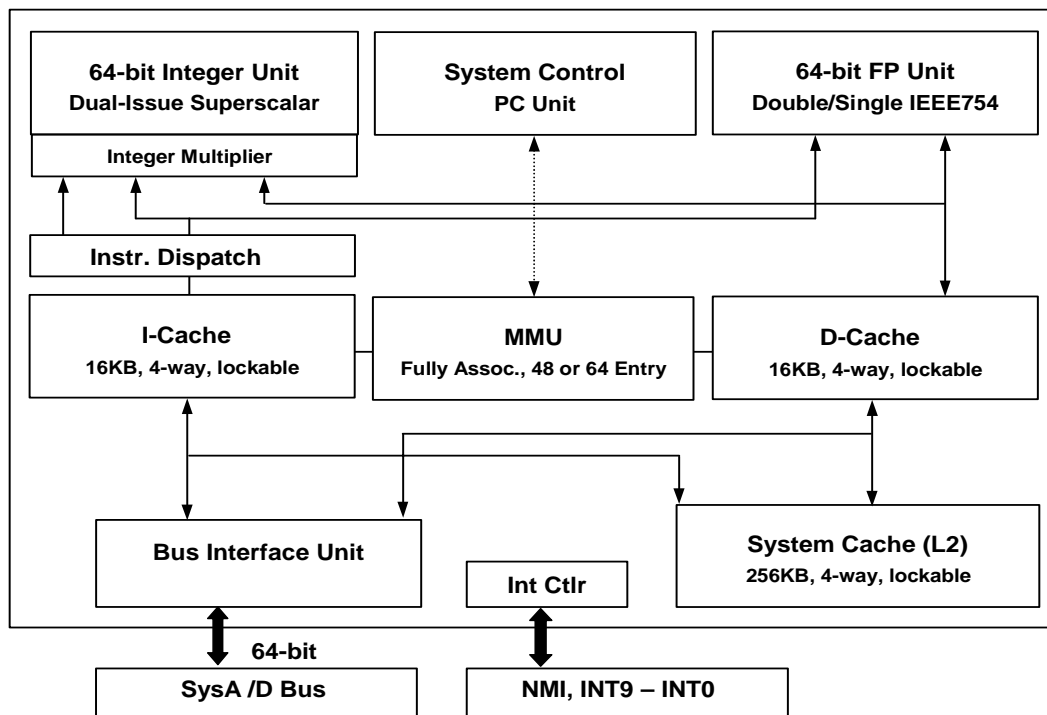
PACKAGING

- Fully Static 0.18µ CMOS design with dynamic power down logic
- 256 pin TBGA package, 27x27 mm

DEVELOPMENT TOOLS

- Operating Systems:
 - Linux by MontaVista and Red Hat
 - VxWorks by Wind River Systems
 - Nucleus by Accelerated Technology
 - Neutrino by QNX Software Systems
- Compiler Suites
 - Algorithmics
 - Green Hills Software
 - Red Hat

BLOCK DIAGRAM



64-Bit MIPS RISC Microprocessor with Integrated L2 Cache

- Evaluation Boards and Companion Chips
 - Galileo Technology
 - EV-64120A-7000: 32/64-bit, 33/66MHz PCI
 - EV-64240-7000: 32/64-bit, 33/66MHz PCI
 - Momentum Computer
 - Ocelot: 6U RM7000 Compact PCI Single Board Computer

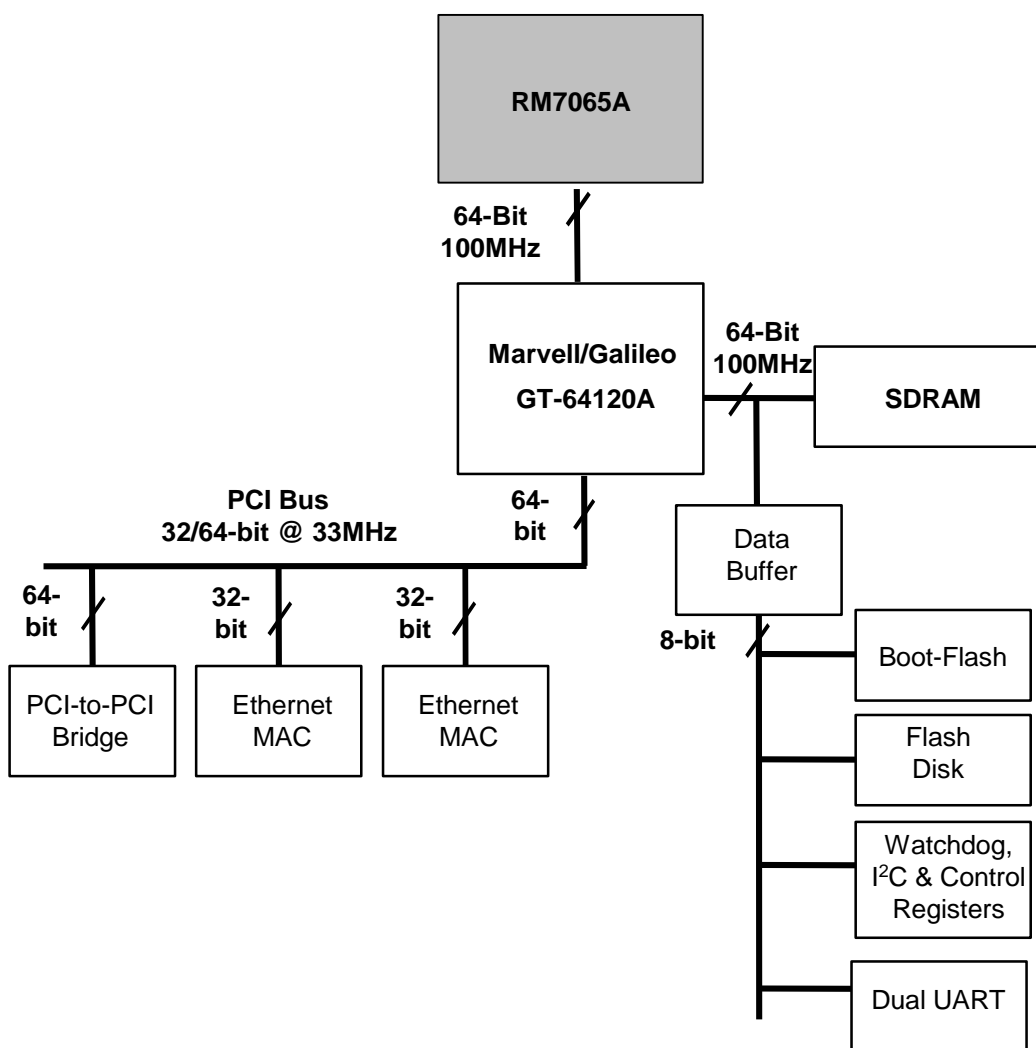
- Logic Analyzers and Emulation
 - HP
 - Tektronix
 - Corelis
 - Crescent Heart Software

- DSLAMs/Access Concentrators
- Remote Access Switches
- Web Switches
- Layer 3 Switches
- Backbone Switches/Routers
- RAIDs
- Set Top Boxes
- Networked Printers
- Cellular Base Stations

APPLICATIONS

- Voice Gateways
- Multi-Service Access Platforms

TYPICAL APPLICATION



Head Office:
 PMC-Sierra, Inc.
 8555 Baxter Place
 Burnaby, B.C. V5A 4V7
 Canada
 Tel: 604.415.6000
 Fax: 604.415.6200

To order documentation,
 send email to:
 document@pmc-sierra.com
 or contact the head office,
 Attn: Document Coordinator

All product documentation is available
 on our web site at:
<http://www.pmc-sierra.com>
 For corporate information,
 send email to:
 info@pmc-sierra.com

PMC- 2011599 (R2)
 © Copyright PMC-Sierra, Inc. 2001. All
 rights reserved. RM7065A is a trademark of
 PMC-Sierra Inc.